



Chipsmall Limited consists of a professional team with an average of over 10 year of expertise in the distribution of electronic components. Based in Hongkong, we have already established firm and mutual-benefit business relationships with customers from,Europe,America and south Asia,supplying obsolete and hard-to-find components to meet their specific needs.

With the principle of "Quality Parts,Customers Priority,Honest Operation,and Considerate Service",our business mainly focus on the distribution of electronic components. Line cards we deal with include Microchip,ALPS,ROHM,Xilinx,Pulse,ON,Everlight and Freescale. Main products comprise IC,Modules,Potentiometer,IC Socket,Relay,Connector.Our parts cover such applications as commercial,industrial, and automotives areas.

We are looking forward to setting up business relationship with you and hope to provide you with the best service and solution. Let us make a better world for our industry!



Contact us

Tel: +86-755-8981 8866 Fax: +86-755-8427 6832

Email & Skype: info@chipsmall.com Web: www.chipsmall.com

Address: A1208, Overseas Decoration Building, #122 Zhenhua RD., Futian, Shenzhen, China

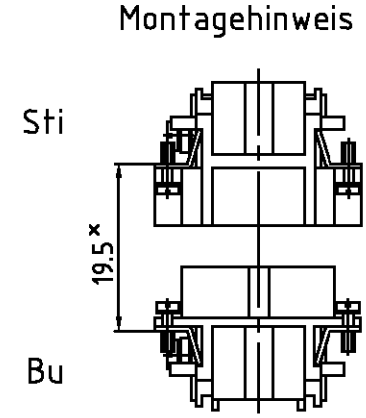
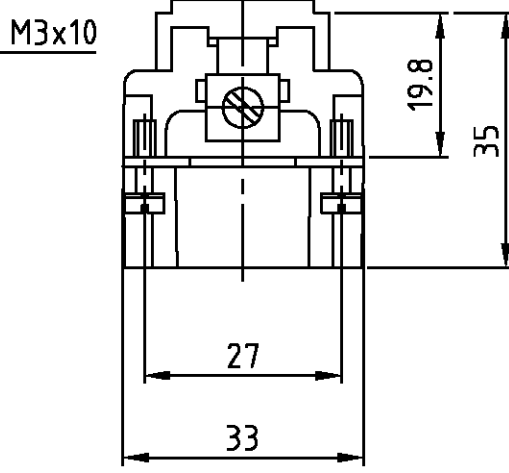
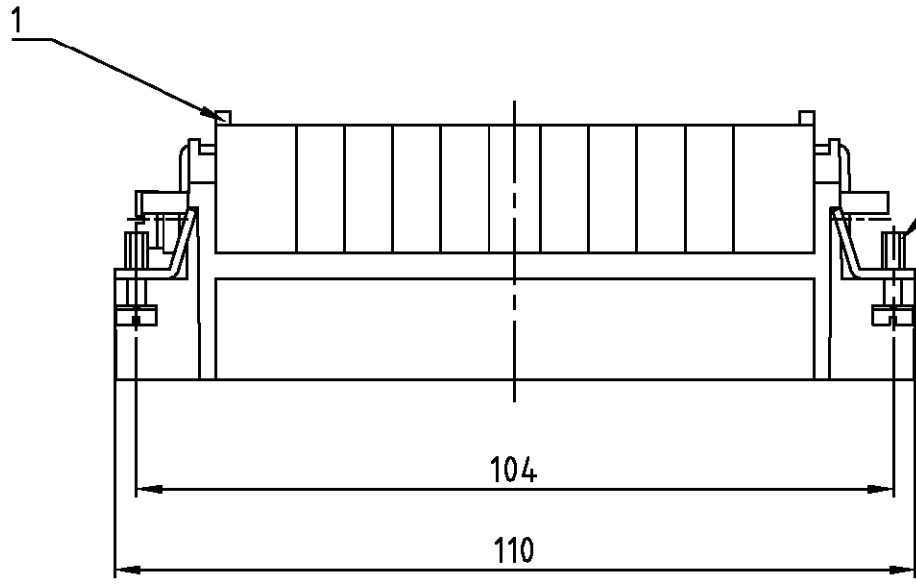


THIS DRAWING IS UNPUBLISHED.
VERTRAULICHE UNVERÖFFENTLICHTE ZEICHNUNG
RELEASED FOR PUBLICATION
FREI FUER VERÖFFENTLICHUNG
BY AMP INCORPORATED. ALL RIGHTS RESERVED.
ALLE RECHTE VORBEHALTEN

1998

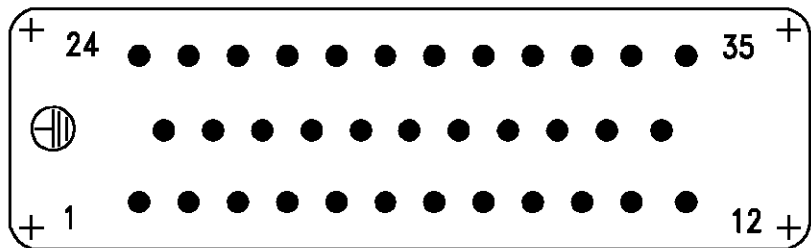
MATED WITH:
PASSEND ZU:

LOC A1	DIST -	REVISIONS ÄNDERUNGEN			DATE	DWN	APVD
PROJEKT NR.: -		P	LTR	DESCRIPTION BESCHREIBUNG	07.03.00	SR	SM
		Zeichnung überarbeitet			Eg00-0577-00		

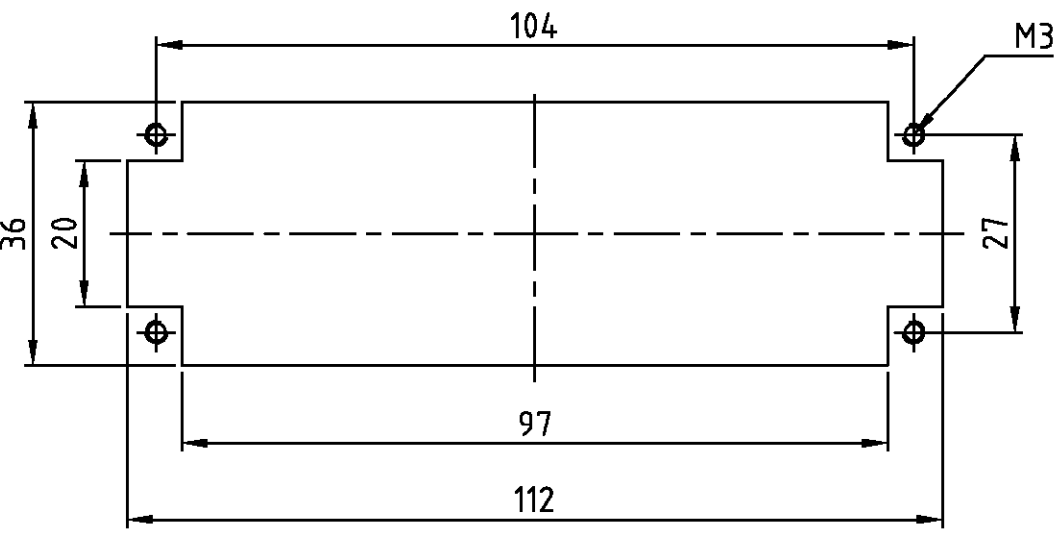


x Abstand für sichere Kontakt-
gabe max: 21 mm

Kontaktanordnung
Contact arrangement
Ansicht Anschlußseite
view from termination side



Montageausschnitt
Panel cut-out for contact insert
bei Verwendung ohne Gehäuse
when used without housing



- Notes,
- ① Material: insert, PBT
UL-File Nr.: E41613(M)
 - ② Finish: contact; Ag, Au

- Bemerkungen, Ⓐ
- ① Material: Einsatz: PBT
UL-File Nr.: E41613(M)
 - ② Oberfläche: Kontakte; Ag, Au

1	Stifteinsatz HVT.35 Crimp	⚠	dunkelgrau	1	-	
2-3	DESCRIPTION / BENENNUNG	MATERIAL	COLOR / FARBE	ITEM NO. POS.	REMARKS / BEMERKUNGEN	
HVT.35.Sti.C	<small>THIS DRAWING IS A CONTROLLED DOCUMENT FOR AMP INCORPORATED. IT IS SUBJECT TO CHANGE AND THE CONTROLLING ENGINEERING ORGANIZATION SHOULD BE CONTACTED FOR THE LATEST REVISION. DIESES ZEICHNUNGSKOPPIERT WIRD DURCH AMP INCORPORATED KONTROLLIERT. ÄNDERUNGEN, DIE DEM TECHNISCHEN FORTSCHRITT DIENEN, SIND VORBEHALTEN. DEN JEWELIG LETZTGÜLTIGEN ÄNDERUNGSSTAND ERFAHREN SIE AUF ANFRAGE.</small>		DWN Schneider	24.03.1999	AMP HTS Elektrotechnik 53819 Neunkirchen, Germany	
	<small>TOLERANCES UNLESS OTHERWISE SPECIFIED: ALL GEMEINTOLERANZEN</small>		CHK Schweiger	24.03.1999		
	<small>DIMENSIONS: DIMENSIONEN: mm</small>		<small>PRODUCT SPEC PRODUKTSPEZ.</small>		NAME Male insert HVT.35.Sti.C Stifteinsatz HVT.35.Sti.C	
			<small>APPLICATION SPEC VERARBEITUNGSSPEZ.</small>		SIZE A3	
<small>MATERIAL</small>		<small>FINISH / OBERFLÄCHE / FARBE</small>		CAGE CODE 00779		
		<small>WEIGHT GEWICHT</small>		DRAWING NO. ZEICHNUNGS-NR. 1104012		
		<small>CUSTOMER DRAWING / KUNDENZEICHNUNG</small>		RESTRICTED TO NUR FUER -		
		<small>SCALE MASSSTAB 1:1</small>		SHEET OF 1 OF 1		
		<small>REV. A2</small>				