



Chipsmall Limited consists of a professional team with an average of over 10 year of expertise in the distribution of electronic components. Based in Hongkong, we have already established firm and mutual-benefit business relationships with customers from,Europe,America and south Asia,supplying obsolete and hard-to-find components to meet their specific needs.

With the principle of “Quality Parts,Customers Priority,Honest Operation,and Considerate Service”,our business mainly focus on the distribution of electronic components. Line cards we deal with include Microchip,ALPS,ROHM,Xilinx,Pulse,ON,Everlight and Freescale. Main products comprise IC,Modules,Potentiometer,IC Socket,Relay,Connector.Our parts cover such applications as commercial,industrial, and automotives areas.

We are looking forward to setting up business relationship with you and hope to provide you with the best service and solution. Let us make a better world for our industry!



Contact us

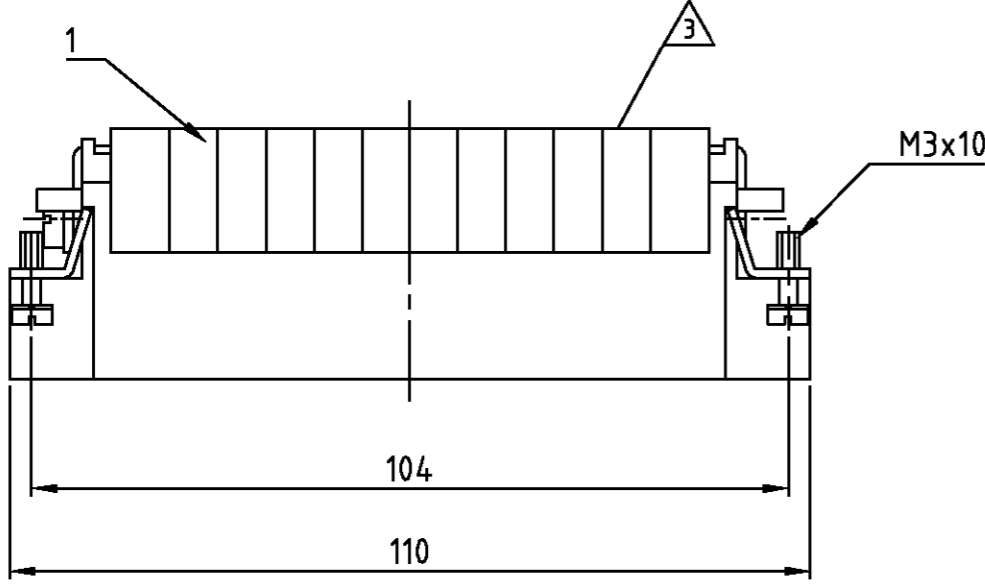
Tel: +86-755-8981 8866 Fax: +86-755-8427 6832

Email & Skype: info@chipsmall.com Web: www.chipsmall.com

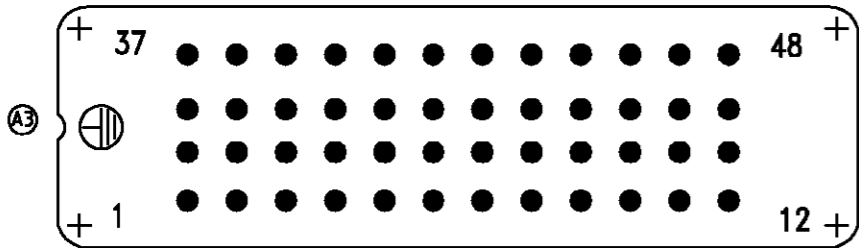
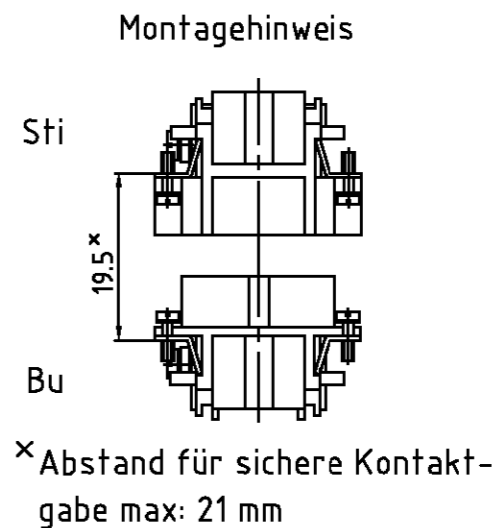
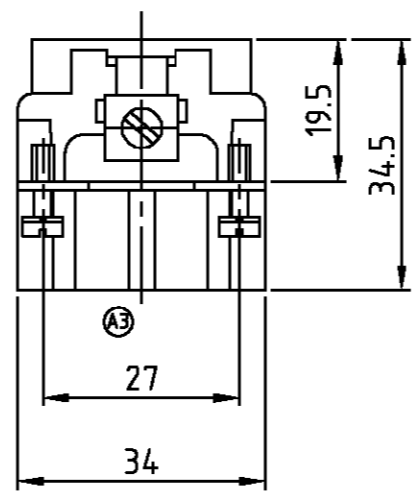
Address: A1208, Overseas Decoration Building, #122 Zhenhua RD., Futian, Shenzhen, China



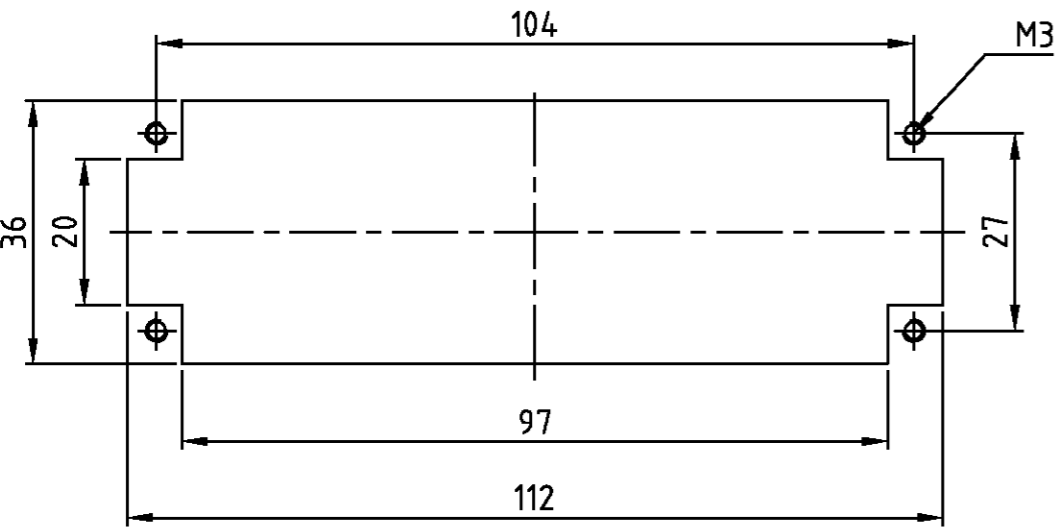
LOC	DIST	REVISIONS ÄNDERUNGEN					
A1	-	P	LTR	DATE	DWN	APVD	
PROJEKT NR.:		DESCRIPTION BESCHREIBUNG			DATE	DWN	APVD
-		Radius ist neu Eg00-1970-03			03.06.03	SR	SM



Kontaktanordnung Ansicht Anschlußseite
Contact arrangement view from termination side



Montageausschnitt bei Verwendung ohne Gehäuse
Panel cut-out for contact insert when used without housing



Notes,

- 1 Material: insert, PBT
UL-File Nr.: E41613(M)
- 2 Finish: contact; Ag, Au
- 3 The max. wire isolation dia is 4.7mm

Bemerkungen,

- 1 Material: Einsatz: PBT
UL-File Nr.: E41613(M)
- 2 Oberfläche: Kontakte; Ag, Au
- 3 Der max. zulässige Außendurchmesser der Leiterisolation beträgt 4.7mm

1	Stifteinsatz HVT.48 Crimp	1	dunkelgrau	1	-
2-3	DESCRIPTION / BENENNUNG	MATERIAL	COLOR / FARBE	ITEM NO. POS.	REMARKS / BEMERKUNGEN
HVT.48.Sti.C	<small>THIS DRAWING IS A CONTROLLED DOCUMENT FOR AMP INCORPORATED. IT IS SUBJECT TO CHANGE AND THE CONTROLLING ENGINEERING ORGANIZATION SHOULD BE CONTACTED FOR THE LATEST REVISION. DIESES ZEICHNUNGSKOPPIERT WIRD DURCH AMP INCORPORATED KONTROLLIERT. ÄNDERUNGEN, DIE DEM TECHNISCHEN FORTSCHRITT DIENEN, SIND VORBEHALTEN. DEN JEWELIG LETZTQUÄLIGEN ÄNDERUNGSSTAND ERFAHREN SIE AUF ANFRAGE.</small>		DWN	20.05.1999	AMP HTS Elektrotechnik 53819 Neunkirchen, Germany
	<small>TOLERANCES UNLESS OTHERWISE SPECIFIED: ALL GEMEINTOLERANZEN</small>		CHK	20.05.1999	
	<small>DIMENSIONS: DIMENSIONEN: mm</small>		<small>APVD</small>		NAME
	<small>0 PLC 1 PLC 2 PLC 3 PLC</small>		<small>PRODUCT SPEC PRODUKTSPEZ.</small>		Male insert HVT.48.Sti.C Stifteinsatz HVT.48.Sti.C
<small>MATERIAL</small>		<small>APPLICATION SPEC VERARBEITUNGSSPEZ.</small>		SIZE	
<small>FINISH / OBERFLÄCHE / FARBE</small>		<small>WEIGHT GEWICHT</small>		CAGE CODE	
<small>ANGLES / WINKEL #</small>		<small>CUSTOMER DRAWING</small>		DRAWING NO ZEICHNUNGS-NR.	
<small>FINISH / OBERFLÄCHE / FARBE</small>		<small>SCALE MASSSTAB</small>		RESTRICTED TO NUR FUER	
<small>FINISH / OBERFLÄCHE / FARBE</small>		<small>OF</small>		REV.	
<small>FINISH / OBERFLÄCHE / FARBE</small>		<small>1</small>		A3	