



Chipsmall Limited consists of a professional team with an average of over 10 year of expertise in the distribution of electronic components. Based in Hongkong, we have already established firm and mutual-benefit business relationships with customers from,Europe,America and south Asia,supplying obsolete and hard-to-find components to meet their specific needs.

With the principle of “Quality Parts,Customers Priority,Honest Operation,and Considerate Service”,our business mainly focus on the distribution of electronic components. Line cards we deal with include Microchip,ALPS,ROHM,Xilinx,Pulse,ON,Everlight and Freescale. Main products comprise IC,Modules,Potentiometer,IC Socket,Relay,Connector.Our parts cover such applications as commercial,industrial, and automotives areas.

We are looking forward to setting up business relationship with you and hope to provide you with the best service and solution. Let us make a better world for our industry!



Contact us

Tel: +86-755-8981 8866 Fax: +86-755-8427 6832

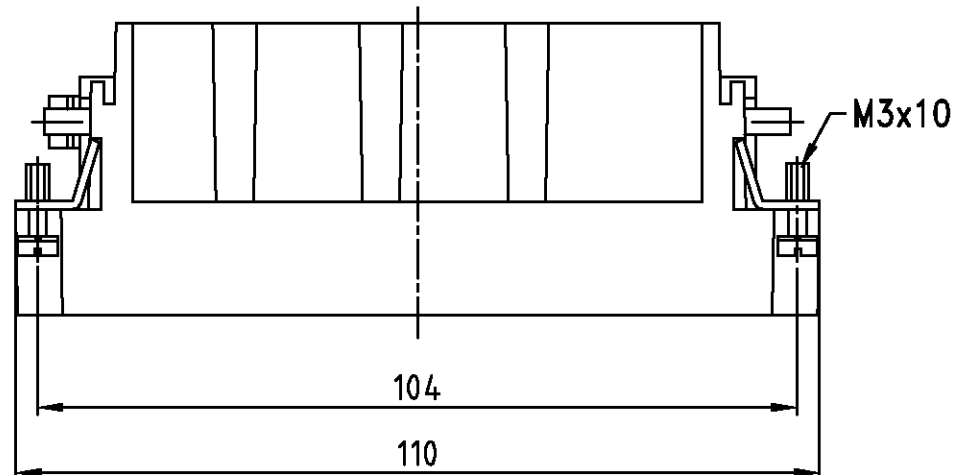
Email & Skype: info@chipsmall.com Web: www.chipsmall.com

Address: A1208, Overseas Decoration Building, #122 Zhenhua RD., Futian, Shenzhen, China

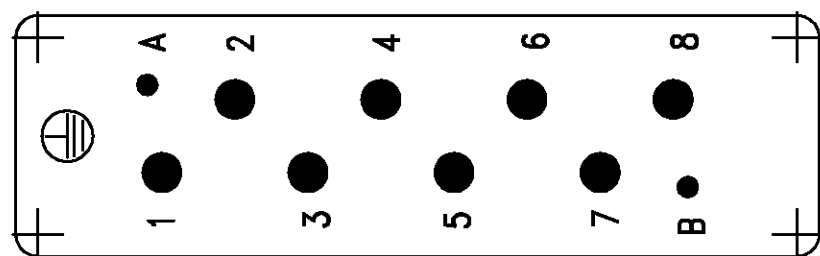


LOC A1	DIST -	REVISIONS ÄNDERUNGEN		
PROJEKT NR.:	P	LTR	DESCRIPTION BESCHREIBUNG	DATE
-		A1	neu gezeichnet Eg00-1890-98	10.12.98
				DWN SR
				APVD SM

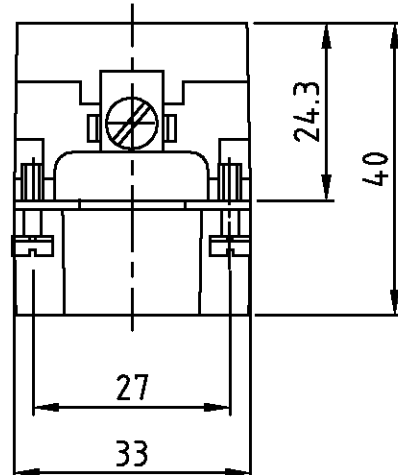
Maßbild
Outline drawing



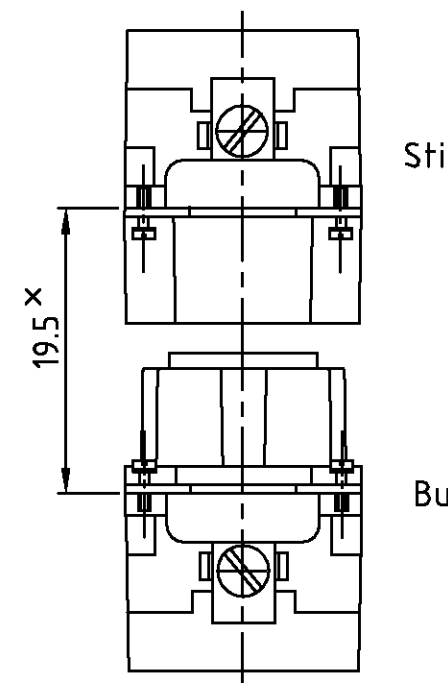
Kontaktanordnung
Contact arrangement
Ansicht Anschlußseite
view from termination side



Montageausschnitt bei Verwendung ohne Gehäuse
Panel cut-out for contact insert when used without housing



Montagehinweis



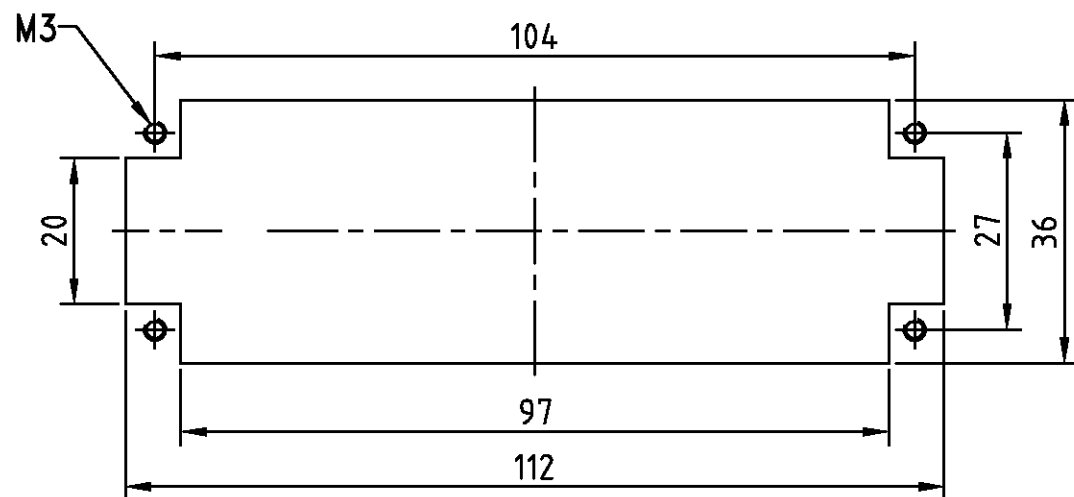
*Abstand für sichere Kontakt-
gabe max: 21 mm

Notes,

- ① Material: insert, PBT
UL-File Nr.: E41613(M)
- ② Finish: contact, Ag, Au

Bemerkungen,

- ① Material: Einsatz: PBT
UL-File Nr.: E41613(M)
- ② Oberfläche: Kontakt, Ag, Au



1	Stifteinsatz HSS.8 Crimp	①	beige	1	-
2-3	DESCRIPTION / BENENNUNG	MATERIAL	COLOR / FARBE	ITEM NO. POS.	REMARKS / BEMERKUNGEN
HSS.8.Sti.C	<small>THIS DRAWING IS A CONTROLLED DOCUMENT FOR AMP INCORPORATED. IT IS SUBJECT TO CHANGE AND THE CONTROLLING ENGINEERING ORGANIZATION SHOULD BE CONTACTED FOR THE LATEST REVISION. DIESER ZEICHNUNGS-DOKUMENT WIRD DURCH AMP INCORPORATED KONTROLLIERT. ÄNDERUNGEN, DIE DEN TECHNISCHEN FORTSCHRITT DIESER, SIND VORBEHALTEN. DEN JEWEILS LETZTBESTEHENDEN ÄNDERUNGSSTAND ERFAHREN SIE AUF ANFRAGE.</small>		DWN Schneider 10.12.98 CHK Schweiger 10.12.98 APVD - NAME Male insert HSS.8 Stifteinsatz HSS.8		
	DIMENSIONS: DIMENSIONEN: mm		TOLERANCES UNLESS OTHERWISE SPECIFIED: ALLGEMEINTOLERANZEN 0 PLC 1 PLC 2 PLC 3 PLC ANGLES / WINKEL ° FINISH / OBERFLÄCHE / FARBE		
			PRODUCT SPEC PRODUKTSPEZ. 108-74016 APPLICATION SPEC VERARBEITUNGSSPEZ. - SIZE A3 CAGE CODE 00779 DRAWING NO ZEICHNUNGS-NR. 1104200 RESTRICTED TO NUR FUER -		
	MATERIAL ①		WEIGHT GEWICHT - CUSTOMER DRAWING / KUNDENZEICHNUNG SCALE MASSSTAB 1:1 SHEET BLATT OF 1 VON 1 REV. A1		