



Chipsmall Limited consists of a professional team with an average of over 10 year of expertise in the distribution of electronic components. Based in Hongkong, we have already established firm and mutual-benefit business relationships with customers from,Europe,America and south Asia,supplying obsolete and hard-to-find components to meet their specific needs.

With the principle of “Quality Parts,Customers Priority,Honest Operation,and Considerate Service”,our business mainly focus on the distribution of electronic components. Line cards we deal with include Microchip,ALPS,ROHM,Xilinx,Pulse,ON,Everlight and Freescale. Main products comprise IC,Modules,Potentiometer,IC Socket,Relay,Connector.Our parts cover such applications as commercial,industrial, and automotives areas.

We are looking forward to setting up business relationship with you and hope to provide you with the best service and solution. Let us make a better world for our industry!



## Contact us

Tel: +86-755-8981 8866 Fax: +86-755-8427 6832

Email & Skype: info@chipsmall.com Web: www.chipsmall.com

Address: A1208, Overseas Decoration Building, #122 Zhenhua RD., Futian, Shenzhen, China



C-2-1105870-8

DWG NO

THIS DRAWING IS A CONTROLLED DOCUMENT FOR THE MANUFACTURING AND THE CONTROLLING ENGINEERING ORGANIZATION AND SHOULD BE CONTACTED FOR THE LATEST REVISION.

DEISES ZEICHNUNGS-DOKUMENT WIRD DURCH AMP INCORPORATED KONTROLLIERT. AENDERUNGEN, DIE DEM TECHNISCHEN FORTSCHRITTSSTANDEN SIND VORZUHALTEN. DEN JEWELIGEN LETZTIGEN AENDERUNGSSTAND ERFAHREN SIE AUF ANFRAGE.

THIS INFORMATION IS CONFIDENTIAL AND IS DISCLOSED TO YOU BY YOU TO OTHER THAN AMP PERSONNEL WITHOUT WRITTEN AUTHORIZATION FROM AMP INCORPORATED, © - 2002 AMP

PASSMASS	ABMASS

PROJECT NO. -

USED ON HTS

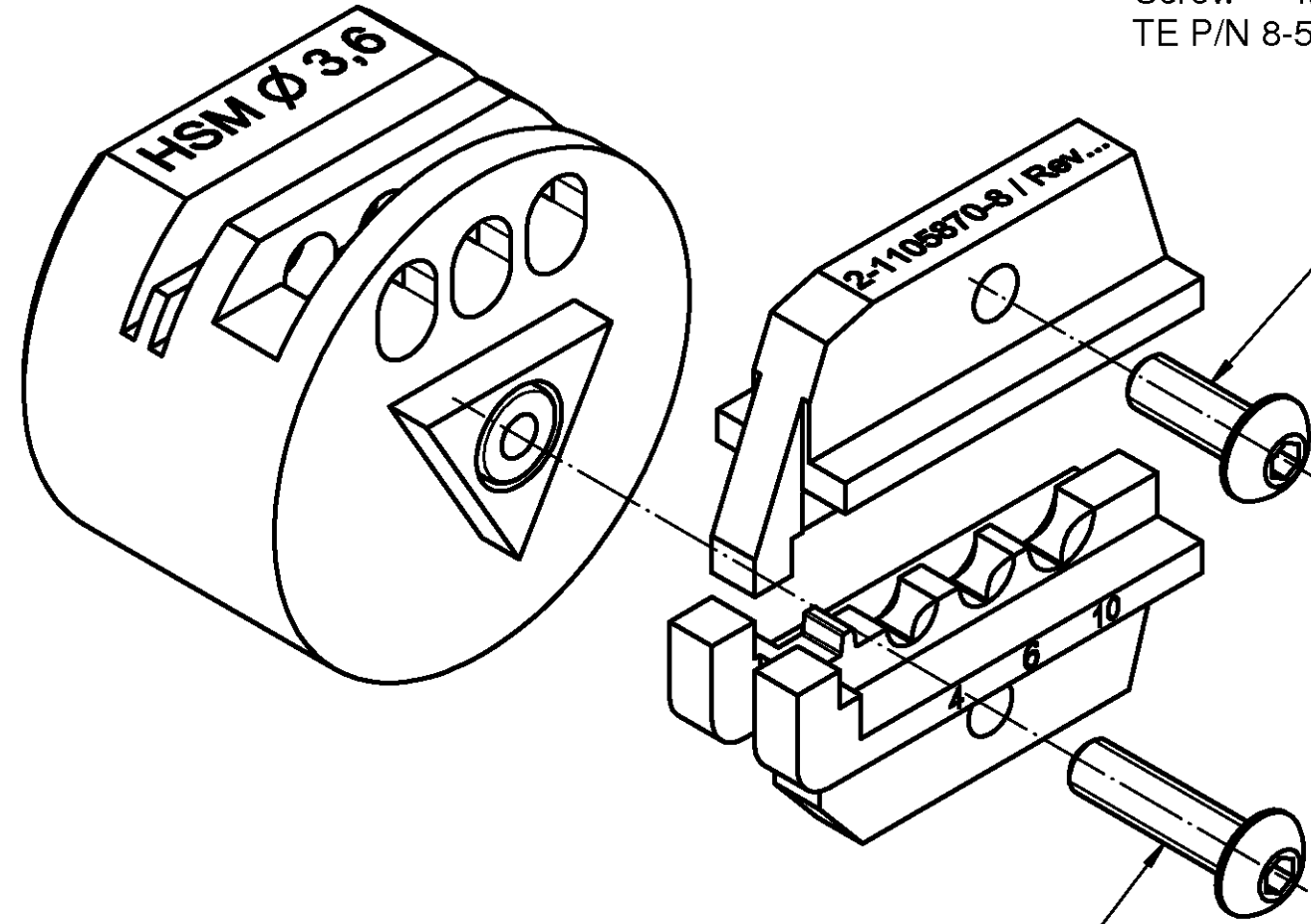
# HTS - DIE SET FOR HSK, HSM AND HSS CONTACTS 4 - 10 mm<sup>2</sup>

Matrize mit Handzange TE P/N 1-1105850-8 verwenden  
Use die set with hand tool TE P/N 1-1105850-8

Matrize im Karton mit Bedienungsanleitung 411-18504 verpackt  
Die set packed in a cardboard with instruction sheet 411-18504

Matrize zur Verarbeitung von HSK, HSM und HSS Kontakten wie unten gezeigt  
Die set for processing of HSK, HSM and HSS Contacts as shown below

Schraube M4x11  
TE P/N 8-539634-5  
Screw M4x11  
TE P/N 8-539634-5



Schraube M4x16  
TE P/N 1-519151-1  
Screw M4x16  
TE P/N 1-519151-1

Querschnittgröße Wire Size mm <sup>2</sup>	Kontakttyp und TE P/N Contact type and TE P/N		
	HSK	HSM	HSS
4	3-1108756-1	4-1105250-1	2-1105150-1
	3-1108757-1	4-1105251-1	2-1105151-1
6	4-1108756-1	5-1105250-1	3-1105150-1
	4-1108757-1	5-1105251-1	3-1105151-1
			3-1105152-1
10	5-1108756-1	6-1105250-1	4-1105150-1
	5-1108757-1	6-1105251-1	4-1105151-1

FREI-MASSTOLERANZEN NACH DIN 7168 (WERTE IN mm)							
1) ABWEICHEND VON DIN 7168 2) LÄNGE DES KÜRZEREN SCHENKELS							
NENNMASS- BEREICH 1)	ÜBER	0,5	3	6	30	120	400
BIS	3	6	30	120	400	1000	
LÄNGEN- MASSE	MITTEL	± 0,1	± 0,1	± 0,2	± 0,3	± 0,5	± 0,8
RADIEN U. FASEN		± 0,2	± 0,5	± 1	± 2	± 4	± 4
WINKELABMASSE 1) 2)		± 1'	± 1'	± 30'	± 20'	± 10'	± 5'
GENERAL TOLERANCES ACC. TO DIN 7168 (VALUES IN mm)							
1) DEVIATING FROM DIN 7168 2) LENGTH OF SHORT ANGLE SIDE							

TEIL IM BEREICH X... MIT PN;STRICH-NR. (-1 WIE GEZ.), REVISION-STAND UND LIEFERANTENS YMBOL GEKENNZEICHNET	
PART TO BE MARKED WITH PN;DASH NO. (-1 AS SHOWN), REV. STATUS AND VENDORS MARK IN AREA X...	
OBERFLÄCHENVERGLEICHSTABELLE	BOHRG- OHNE ANGABE
DIN3141 R3	12,5
R <sub>a</sub> in µm	
DIN ISO 1302	
ALLE UNBEMASSTE KANTEN 0,2x45° ENTGRÄTET REMOVE BURRS, BREAK SHARP EDGES 0,2x45°	HOLE NOT SPEC

P	LTR	REVISION RECORD	DATE	DWN	APVD
---	-----	-----------------	------	-----	------

FINISH	-
DIMENSIONS:	mm
TOLERANCES UNLESS OTHERWISE SPECIFIED:	n. ISO 2768 n. ISO 2768 -MH -E n. DIN 16901 : 1.40
ANGLES:	
SURFACE TEXTURE:	

DWN	23.09.2008 P. Demmer
CHK	23.09.2008 Ch. Witt
APVD	23.09.2008 Ch. Witt
NAME	HTS - DIE SET FOR HSK, HSM AND HSS CONTACTS HTS - Matrize für HSK, HSM und HSS Kontakte
SCALE	2:1
SIZE	A3
DRAWING NO	C-2-1105870-8

MATERIAL	-	HEAT TREAT	-
Gewicht / Weight in Kg		0,124	
Tyco Electronics AMP GmbH 64625 Bensheim (Germany)			
SHEET	1	OF	1
REV			A

AMP 3306-7 REV 23FEB95

8

7

6

5

4

3

2

1