



Chipsmall Limited consists of a professional team with an average of over 10 year of expertise in the distribution of electronic components. Based in Hongkong, we have already established firm and mutual-benefit business relationships with customers from,Europe,America and south Asia,supplying obsolete and hard-to-find components to meet their specific needs.

With the principle of “Quality Parts,Customers Priority,Honest Operation,and Considerate Service”,our business mainly focus on the distribution of electronic components. Line cards we deal with include Microchip,ALPS,ROHM,Xilinx,Pulse,ON,Everlight and Freescale. Main products comprise IC,Modules,Potentiometer,IC Socket,Relay,Connector.Our parts cover such applications as commercial,industrial, and automotives areas.

We are looking forward to setting up business relationship with you and hope to provide you with the best service and solution. Let us make a better world for our industry!



Contact us

Tel: +86-755-8981 8866 Fax: +86-755-8427 6832

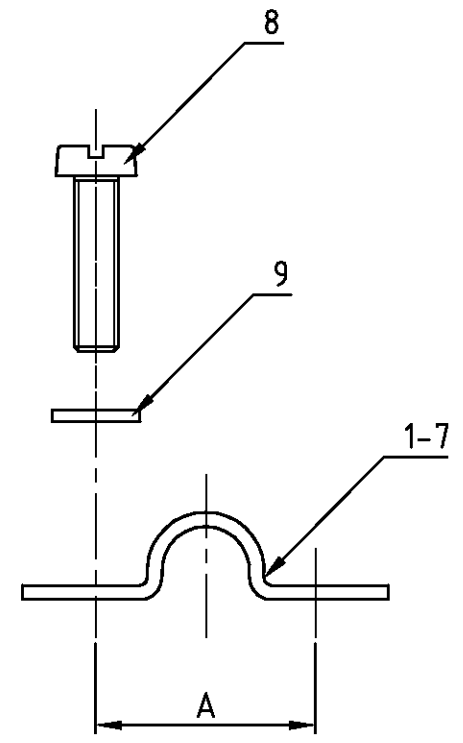
Email & Skype: info@chipsmall.com Web: www.chipsmall.com

Address: A1208, Overseas Decoration Building, #122 Zhenhua RD., Futian, Shenzhen, China



THIS DRAWING IS UNPUBLISHED.
 VERTRAULICHE UNVERÖFFENTLICHTE ZEICHNUNG
 RELEASED FOR PUBLICATION
 FREI FUER VERÖFFENTLICHUNG
 .1997
 BY AMP INCORPORATED. ALL RIGHTS RESERVED.
 ALLE RECHTE VORBEHALTEN

MATED WITH: PASSEND ZU: SB	LOC A1	DIST -	REVISIONS ÄNDERUNGEN		
	P	LTR	DESCRIPTION BESCHREIBUNG	DATE	DWN AR
PROJEKT NR.: -	A1	Zeichnung erstellt		21.04.98	APVD AK



2	2	2	2	2	2	2		Federring A3	Steel/Stahl	verzinkt		9	
2	2	2	2	2	2	2		Schraube M3 x 12	Steel/Stahl	verzinkt		8	
1								Schelle 10 mm	Steel/Stahl	verzinkt	20	7	
	1							Schelle 9 mm	Steel/Stahl	verzinkt	20	6	
		1						Schelle 8 mm	Steel/Stahl	verzinkt	20	5	
			1					Schelle 7 mm	Steel/Stahl	verzinkt	20	4	
				1				Schelle 6 mm	Steel/Stahl	verzinkt	16	3	
					1			Schelle 5 mm	Steel/Stahl	verzinkt	15	2	
						1		Schelle 4,5 mm	Steel/Stahl	verzinkt	16	1	

AMP PART NO	DESCRIPTION	MATERIAL	SURFACE	DIM "A"	ITEM NO	NOTES
Schellenset 10 mm	THIS DRAWING IS A CONTROLLED DOCUMENT FOR AMP INCORPORATED. IT IS SUBJECT TO CHANGE AND THE CONTROLLING ENGINEERING ORGANIZATION SHOULD BE CONTACTED FOR THE LATEST REVISION. DIESER ZEICHNUNGSDOKUMENT WIRD DURCH AMP INCORPORATED KONTROLLIERT. ÄNDERUNGEN, DIE DEM TECHNISCHEN FORTSCHRITT DIENEN, SIND VORBEHALTEN. DEN JEWELBS LETZTIGELTIGEN ÄNDERUNGSSTAND ERFAHREN SIE AUF ANFRAGE. DIMENSIONS: DIMENSIONEN: mm TOLERANCES UNLESS OTHERWISE SPECIFIED: ALLGEMEINTOLERANZEN ISO 8015 ISO 2768 - mH - E DIN 16901 - 140 ANGLES / WINKEL ° FINISH / OBERFLÄCHE / FARBE ORDERING TEXT	Steel/Stahl	verzinkt	10	9	
Schellenset 9 mm		Steel/Stahl	verzinkt	9	8	
Schellenset 8 mm		Steel/Stahl	verzinkt	8	7	
Schellenset 7 mm		Steel/Stahl	verzinkt	7	6	
Schellenset 6 mm		Steel/Stahl	verzinkt	6	5	
Schellenset 5 mm		Steel/Stahl	verzinkt	5	4	
Schellenset 4,5 mm		Steel/Stahl	verzinkt	4,5	1	
DWN Rösigen 21.04.1998 CHK Kramer 21.04.98 APVD - PRODUCT SPEC PRODUKTSPEZ. APPLICATION SPEC VERARBEITUNGSSPEZ. WEIGHT GEWICHT - CUSTOMER DRAWING /KUNDENZEICHNUNG		AMP HTS Elektrotechnik 53819 Neunkirchen, Germany		NAME CABLE CLAMP SCHELLENSET SIZE A3 CAGE CODE 00779 DRAWING NO ZEICHNUNGS-NR. C-1106302 RESTRICTED TO NUR FUER - MASSSTAB 1:1 BLATT 1 OF VON 1 REV A1		