



Chipsmall Limited consists of a professional team with an average of over 10 year of expertise in the distribution of electronic components. Based in Hongkong, we have already established firm and mutual-benefit business relationships with customers from,Europe,America and south Asia,supplying obsolete and hard-to-find components to meet their specific needs.

With the principle of “Quality Parts,Customers Priority,Honest Operation,and Considerate Service”,our business mainly focus on the distribution of electronic components. Line cards we deal with include Microchip,ALPS,ROHM,Xilinx,Pulse,ON,Everlight and Freescale. Main products comprise IC,Modules,Potentiometer,IC Socket,Relay,Connector.Our parts cover such applications as commercial,industrial, and automotives areas.

We are looking forward to setting up business relationship with you and hope to provide you with the best service and solution. Let us make a better world for our industry!



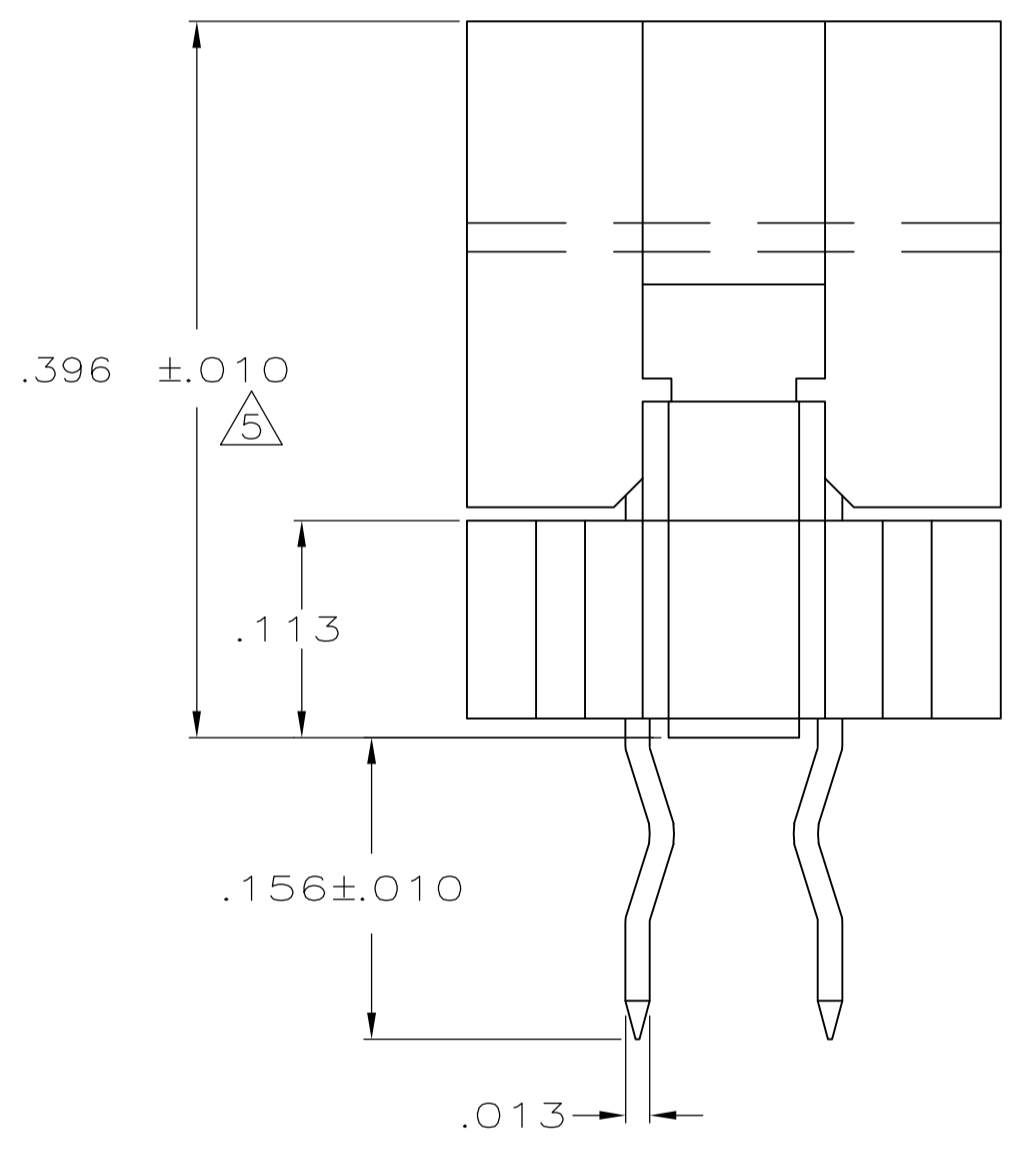
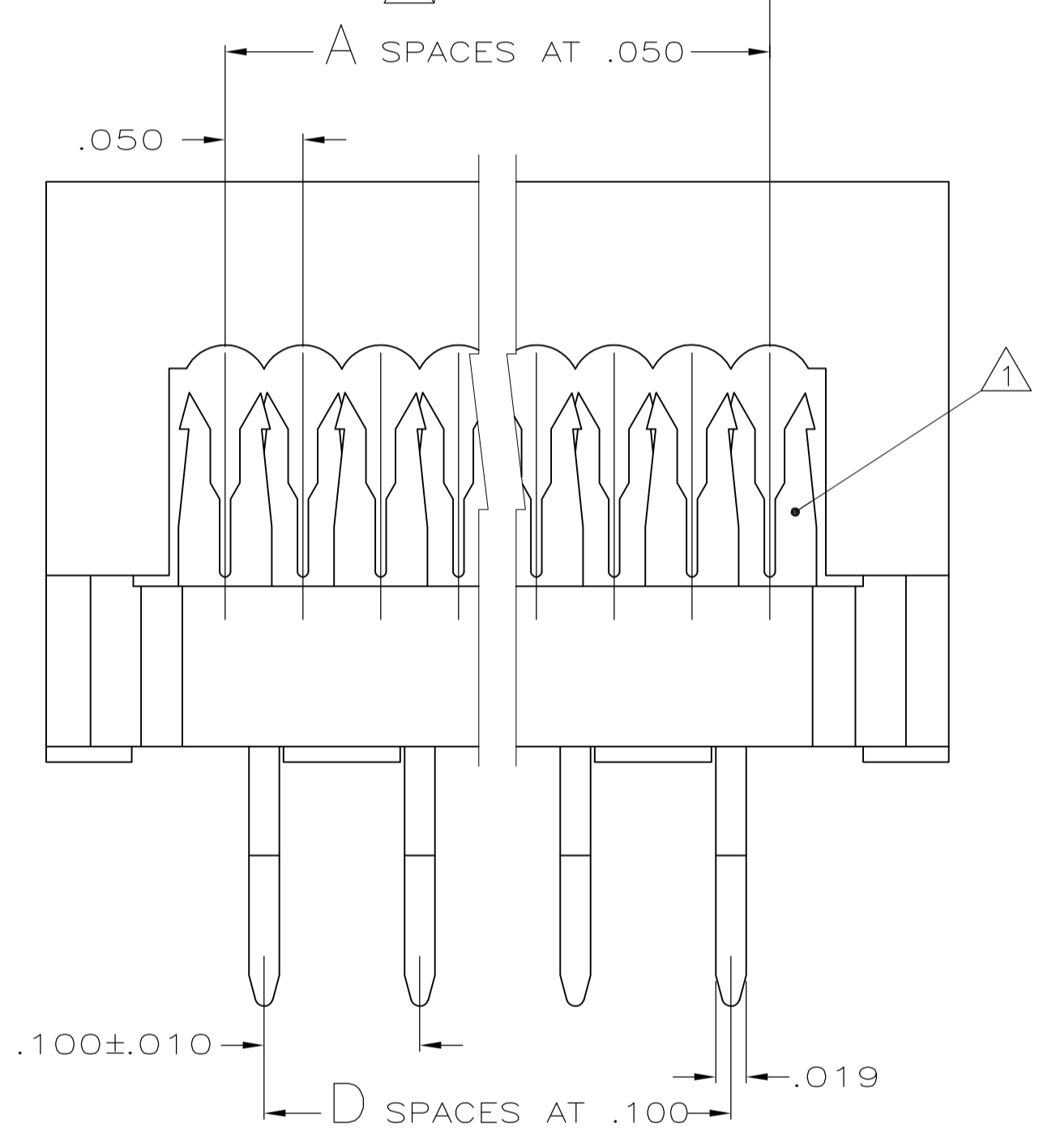
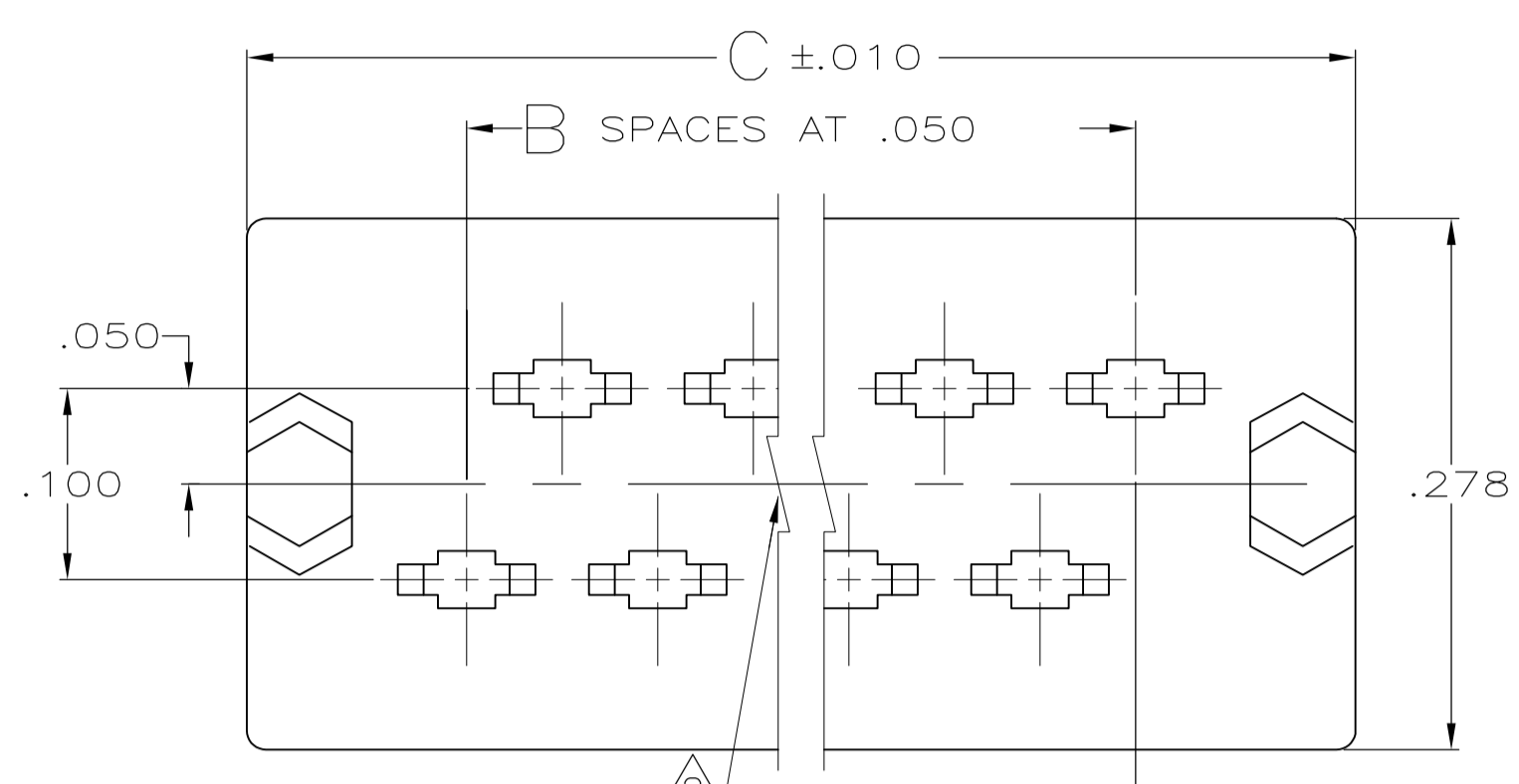
## Contact us

Tel: +86-755-8981 8866 Fax: +86-755-8427 6832

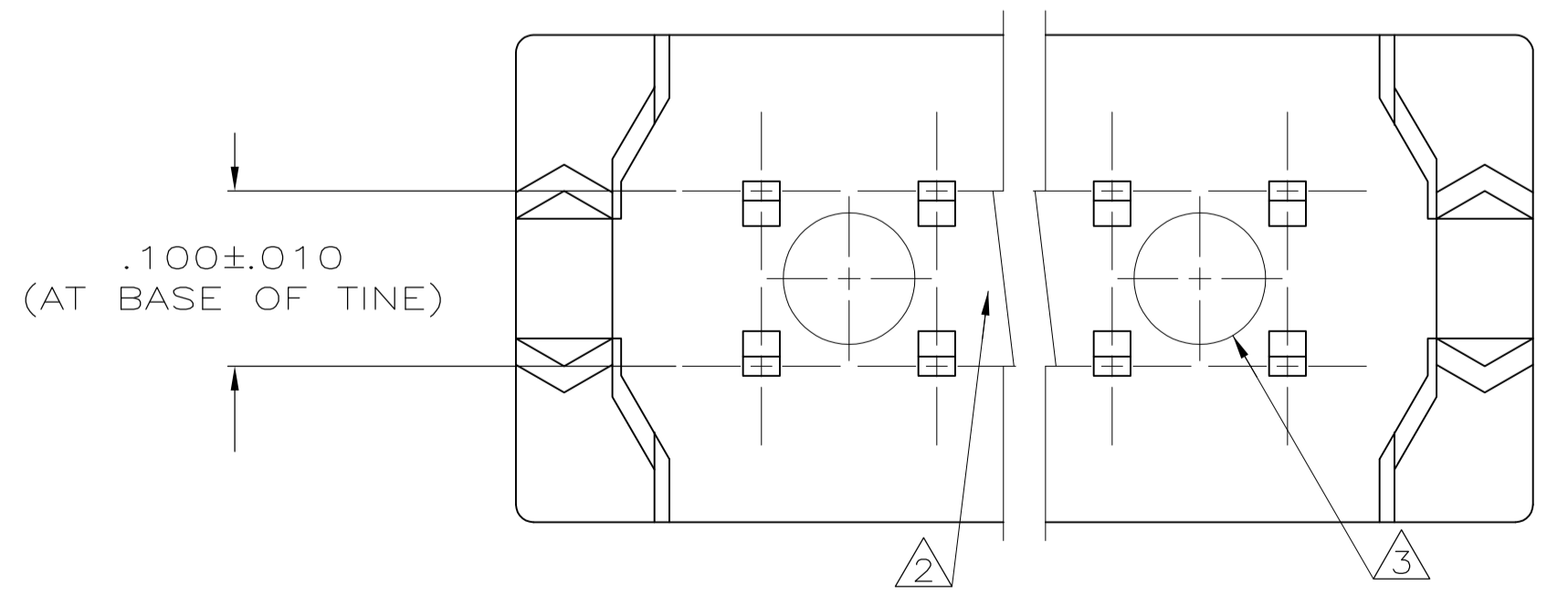
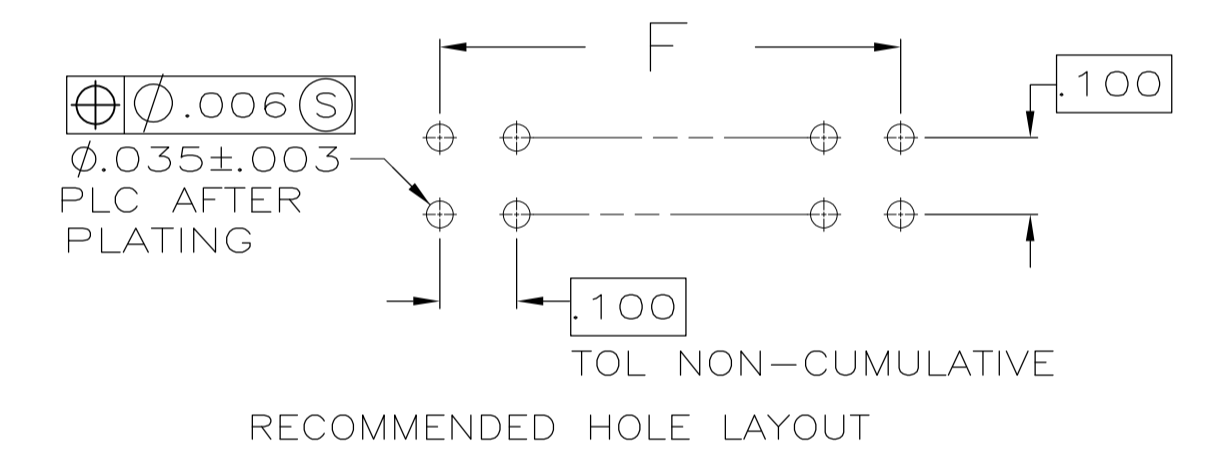
Email & Skype: info@chipsmall.com Web: www.chipsmall.com

Address: A1208, Overseas Decoration Building, #122 Zhenhua RD., Futian, Shenzhen, China





- ① CONTACTS DESIGNED FOR 28 AWG STRANDED OR 26,28, & 30 AWG SOLID WIRE.
- ② AMP TRADEMARK LOCATED IN APPROX AREA SHOWN.
- ③ STANDOFFS: POS 10 (2) STANDOFFS AS SHOWN.  
 14-16 (3) STANDOFFS, (1) CENTERED BETWEEN (2) SHOWN  
 20-26 (4) (2)  
 30 (5) (3)  
 34 (6) (4)  
 40-44 (7) (5)  
 50 (8) (6)  
 60 (9) (7)  
 64 (10) (8)
- ④ .000100-.000200 BRIGHT TIN LEAD, ALL OVER .000050 NICKEL.
- ⑤ HEIGHT AFTER TERMINATION IS .253 ±.010.
- ⑥ FOR USE IN .062 - .093" THICK PCB.
- ⑦ .000005 MIN GOLD ON RIBBON CABLE TERMINATION AREA, .000100-.000200 MATTE TIN ON SOLDER TAILS, ALL OVER .000050 MIN NICKEL.
- ⑧ MOLDED PARTS, 94V-0 RATED THERMOPLASTIC, COLOR: BLACK  
 CONTACTS: PHOS BRONZE.



|          |    |       |       |    |    |            |            |
|----------|----|-------|-------|----|----|------------|------------|
| ⑦        | 24 | 2.680 | 48    | 49 | 50 | 2-111382-0 |            |
| ⑦        | 16 | 1.880 | 32    | 33 | 34 | 1-111382-9 |            |
| ⑦        | 12 | 1.480 | 24    | 25 | 26 | 1-111382-8 |            |
| ⑦        | 9  | 1.180 | 18    | 19 | 20 | 1-111382-7 |            |
| ⑦        | 7  | 0.980 | 14    | 15 | 16 | 1-111382-6 |            |
| ⑦        | 4  | .680  | 8     | 9  | 10 | 1-111382-4 |            |
| OBSOLETE | ④  | 21    | 2.380 | 42 | 43 | 44         | 1-111382-3 |
| OBSOLETE | ④  | 31    | 3.380 | 62 | 63 | 64         | 1-111382-2 |
| OBSOLETE | ④  | 29    | 3.180 | 58 | 59 | 60         | 1-111382-1 |
| OBSOLETE | ④  | 24    | 2.680 | 48 | 49 | 50         | 1-111382-0 |
| OBSOLETE | ④  | 19    | 2.180 | 38 | 39 | 40         | 111382-9   |
| OBSOLETE | ④  | 16    | 1.880 | 32 | 33 | 34         | 111382-8   |
| OBSOLETE | ④  | 14    | 1.680 | 28 | 29 | 30         | 111382-7   |
| OBSOLETE | ④  | 12    | 1.480 | 24 | 25 | 26         | 111382-6   |
| OBSOLETE | ④  | 11    | 1.380 | 22 | 23 | 24         | 111382-5   |
| OBSOLETE | ④  | 9     | 1.180 | 18 | 19 | 20         | 111382-4   |
| OBSOLETE | ④  | 7     | .980  | 14 | 15 | 16         | 111382-3   |
| OBSOLETE | ④  | 6     | .880  | 12 | 13 | 14         | 111382-2   |
| OBSOLETE | ④  | 4     | .680  | 8  | 9  | 10         | 111382-1   |

THIS DRAWING IS A CONTROLLED DOCUMENT.

|                    |  |           |           |           |              |           |            |
|--------------------|--|-----------|-----------|-----------|--------------|-----------|------------|
| DIMENSIONS: INCHES | TOLERANCES UNLESS OTHERWISE SPECIFIED: | 0 PLC ± - | 1 PLC ± - | 2 PLC ± - | 3 PLC ± .005 | 4 PLC ± - | ANGLES ± - |
|--------------------|--|-----------|-----------|-----------|--------------|-----------|------------|

MATERIAL: ⑧ FINISH: CONTACTS: SEE TABLE

|      |                  |          |
|------|------------------|----------|
| DIN  | L VARELA - DOCKS | 11-29-04 |
| CHK  | C. RÖHDE         | 11-29-04 |
| APVD | M. WALMSLEY      | 11-29-04 |

NAME: KIT, DIP PLUG, PREASSEMBLED, .100 X .100 CENTERLINE, AMP-LATCH

PRODUCT SPEC: 108-40013

APPLICATION SPEC: 114-40005

SIZE: A1 CAGE CODE: 00779 DRAWING NO: 111382

WEIGHT: -

CUSTOMER DRAWING

SCALE: 10:1 SHEET: 1 OF 1 REV: K1