



Chipsmall Limited consists of a professional team with an average of over 10 year of expertise in the distribution of electronic components. Based in Hongkong, we have already established firm and mutual-benefit business relationships with customers from,Europe,America and south Asia,supplying obsolete and hard-to-find components to meet their specific needs.

With the principle of “Quality Parts,Customers Priority,Honest Operation,and Considerate Service”,our business mainly focus on the distribution of electronic components. Line cards we deal with include Microchip,ALPS,ROHM,Xilinx,Pulse,ON,Everlight and Freescale. Main products comprise IC,Modules,Potentiometer,IC Socket,Relay,Connector.Our parts cover such applications as commercial,industrial, and automotives areas.

We are looking forward to setting up business relationship with you and hope to provide you with the best service and solution. Let us make a better world for our industry!



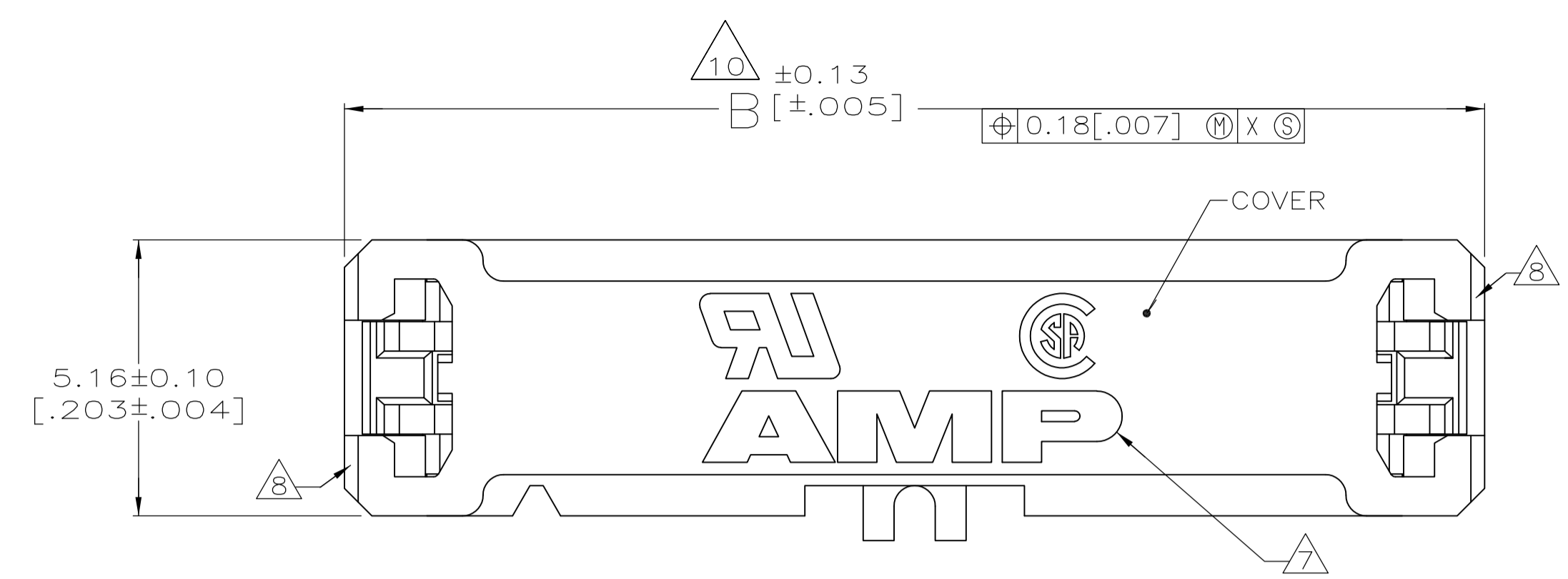
Contact us

Tel: +86-755-8981 8866 Fax: +86-755-8427 6832

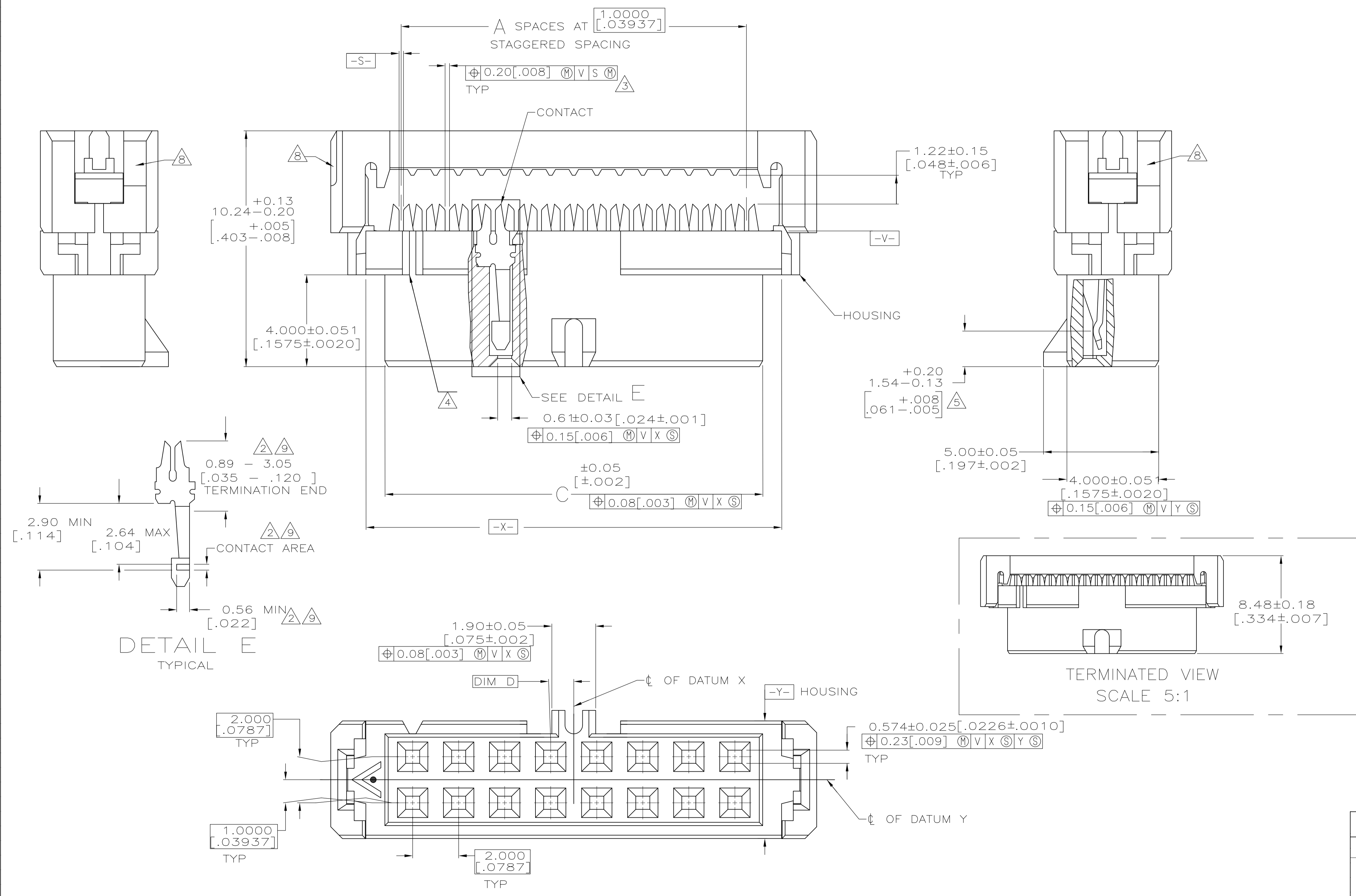
Email & Skype: info@chipsmall.com Web: www.chipsmall.com

Address: A1208, Overseas Decoration Building, #122 Zhenhua RD., Futian, Shenzhen, China





- 1 MOLDDED PARTS: POLYESTER, UL RATED 94V-0, BLACK. CONTACTS: BERYLLIUM COPPER.
- 2 2.54 μm [.000100] MIN TIN-LEAD ON TERMINATION END, 0.76 μm [.000030] MIN GOLD ON CONTACT AREA, ALL OVER 1.27 μm [.000050] MIN NICKEL.
- 3 POSITION TOLERANCE APPLIES 0.76 [.030] ABOVE DATUM V.
- 4 POSITION NUMBER 1 INDICATOR.
- 5 ELECTRICAL ENGAGEMENT ZONE.
- 6 RECOMMENDED 28 AWG RIBBON CABLE, 0.61 - 0.97 [.024 - .038] THICK PVC, 1.0000 [.03937] PITCH. AMP LOGO ORIENTATION IS OPTIONAL.
- 7 RECESS ON EACH END, OPPOSITE CORNER.
- 8 0.13 μm [.000005] MIN GOLD ON TERMINATION END, 0.76 μm [.000030] MIN GOLD ON CONTACT AREA, ALL OVER 1.27 μm [.000050] MIN NICKEL.
- 10 MOLD GATE PROJECTION ON EITHER END OF COVER TO BE EXCLUDED FROM DIMENSION 'B' MEASUREMENT.



REV	DESCRIPTION	DATE	BY	APVD			
1	1.0000	12.40	17.15	11	12	3-111623-1	
2	1.0000	8.41	13.18	7	8	3-111623-0	
3	0.0000	22.40	27.18	21	22	2-111623-9	
4	0.0000	34.42	39.17	33	34	2-111623-8	
5	1.0000	24.41	29.18	23	24	2-111623-7	
6	0.0000	50.39	55.17	49	50	2-111623-6	
7	1.0000	44.40	49.17	43	44	2-111623-5	
8	1.0000	40.41	45.19	39	40	2-111623-4	
9	0.0000	30.40	35.18	29	30	2-111623-3	
10	0.0000	26.42	31.17	25	26	2-111623-2	
11	1.0000	20.40	25.17	19	20	2-111623-1	
12	1.0000	16.41	21.18	15	16	2-111623-0	
13	0.0000	14.40	19.18	13	14	1-111623-9	
14	0.0000	10.41	15.16	9	10	1-111623-8	
15	1.0000	12.40	17.15	11	12	1-111623-7	
16	1.0000	8.41	13.18	7	8	1-111623-6	
17	0.0000	22.40	27.18	21	22	1-111623-5	
18	1.0000	68.40	73.18	67	68	1-111623-4	
19	1.0000	64.41	69.16	63	64	1-111623-3	
20	1.0000	60.40	65.18	59	60	1-111623-2	
21	0.0000	50.39	55.17	49	50	1-111623-1	
22	1.0000	44.40	49.17	43	44	1-111623-0	
23	1.0000	40.41	45.19	39	40	111623-9	
24	0.0000	34.42	39.17	33	34	111623-8	
25	0.0000	30.40	35.18	29	30	111623-7	
26	0.0000	26.42	31.17	25	26	111623-6	
27	1.0000	24.41	29.18	23	24	111623-5	
28	0.0000	20.40	25.17	19	20	111623-4	
29	0.0000	16.41	21.18	15	16	111623-3	
30	0.0000	14.40	19.18	13	14	111623-2	
31	0.0000	10.41	15.16	9	10	111623-1	
32	CONTACT FINISH	D	C	B	A	NO OF POSN	PART NO

THIS DRAWING IS A CONTROLLED DOCUMENT. DIMENSIONS: mm [INCHES]. TOLERANCES UNLESS OTHERWISE SPECIFIED: 0 PLC ± .008 [0.03], 1 PLC ± .008 [0.03], 2 PLC ± .008 [0.03], 3 PLC ± .008 [0.03], 4 PLC ± .008 [0.03]. MATERIAL: POLYESTER. FINISH: CONTACTS: SEE TABLE. THIS DRAWING IS A CONTROLLED DOCUMENT. DIM: C. OBERMAN. CHK: J. MCCLINTON. PRODUCT SPEC: 108-1372. APPLICATION SPEC: RECEPTACLE ASSY, POLARIZED, 2mm CL, AMP-LATCH. SIZE: A1. CAGE CODE: 00779. DRAWING NO: 111623. WEIGHT: -. RESTRICTED TO: CUSTOMER DRAWING. SCALE: 10:1. SHEET: 1 OF 1. REV: L2.