



Chipsmall Limited consists of a professional team with an average of over 10 year of expertise in the distribution of electronic components. Based in Hongkong, we have already established firm and mutual-benefit business relationships with customers from,Europe,America and south Asia,supplying obsolete and hard-to-find components to meet their specific needs.

With the principle of “Quality Parts,Customers Priority,Honest Operation,and Considerate Service”,our business mainly focus on the distribution of electronic components. Line cards we deal with include Microchip,ALPS,ROHM,Xilinx,Pulse,ON,Everlight and Freescale. Main products comprise IC,Modules,Potentiometer,IC Socket,Relay,Connector.Our parts cover such applications as commercial,industrial, and automotives areas.

We are looking forward to setting up business relationship with you and hope to provide you with the best service and solution. Let us make a better world for our industry!



## Contact us

Tel: +86-755-8981 8866 Fax: +86-755-8427 6832

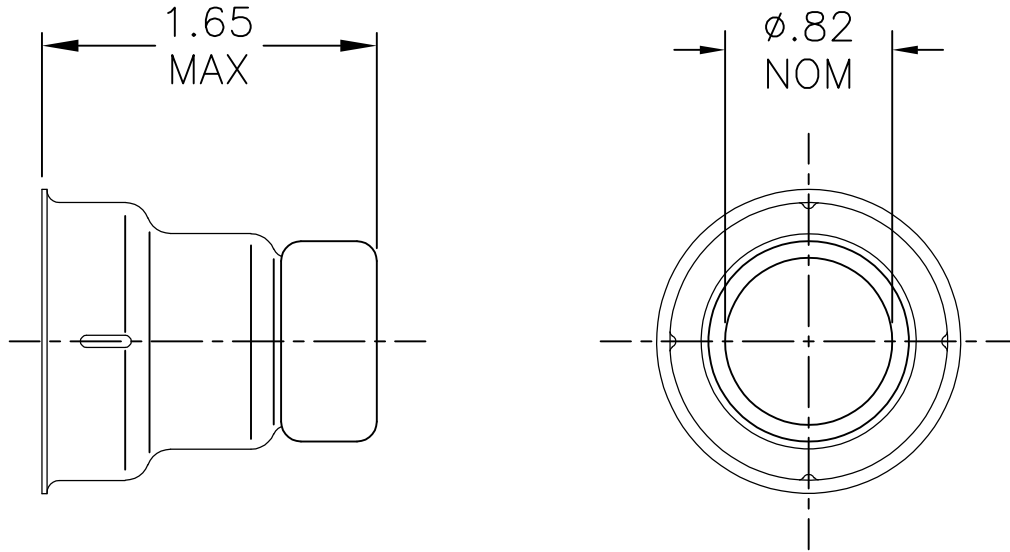
Email & Skype: info@chipsmall.com Web: www.chipsmall.com

Address: A1208, Overseas Decoration Building, #122 Zhenhua RD., Futian, Shenzhen, China



REVISIONS			
LTR	DESCRIPTION	DATE	APPROVED
NE	RELEASED AS PER ECO-16-006072	25APR16	MT

# OBSOLETE



## NOTES:

1. THIS ITEM CAN BE PURCHASED UNDER PART NUMBER: 444817.
2. THIS ADAPTER IS DESIGNED FOR USE WITH THE STEINEL HEAT GUN AND THE "PR" SERIES OF REFLECTORS.
3. LOCATE NOTCHES POSITION TO MATE WITH THE HEAT GUN AND TURN TO FIX.

© 2016 TE Connectivity. All Rights Reserved.

## CUSTOMER DRAWING

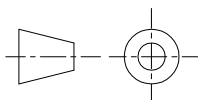
UNLESS OTHERWISE SPECIFIED  
DIMENSIONS ARE IN INCHES.  
METRIC DIMENSIONS ARE  
IN BRACKETS.

DECIMALS  
.XXX ± — [ mm ]  
.XX ± — [ mm ]  
.X ± — [ mm ]

ANGLES  
.X ± —

DRAWN G.ROSITANO	DATE 6/1/99
CHECKED GMR	DATE 6/2/99
APPROVED E.STADLER	DATE 6/2/99
APPROVED	DATE
CAD NAME HL1802E	

THIRD ANGLE  
PROJECTION



TITLE

ADAPTER ASSEMBLY  
(FOR STEINEL HEAT GUNS)

SIZE A	CODE IDENT. NO. 06090	DWG. NO. HL1802E-ADAPT-PR	REV NE
-----------	--------------------------	------------------------------	-----------

DO NOT SCALE THIS DWG

SHEET 1 OF 1