



Chipsmall Limited consists of a professional team with an average of over 10 year of expertise in the distribution of electronic components. Based in Hongkong, we have already established firm and mutual-benefit business relationships with customers from,Europe,America and south Asia,supplying obsolete and hard-to-find components to meet their specific needs.

With the principle of “Quality Parts,Customers Priority,Honest Operation,and Considerate Service”,our business mainly focus on the distribution of electronic components. Line cards we deal with include Microchip,ALPS,ROHM,Xilinx,Pulse,ON,Everlight and Freescale. Main products comprise IC,Modules,Potentiometer,IC Socket,Relay,Connector.Our parts cover such applications as commercial,industrial, and automotives areas.

We are looking forward to setting up business relationship with you and hope to provide you with the best service and solution. Let us make a better world for our industry!



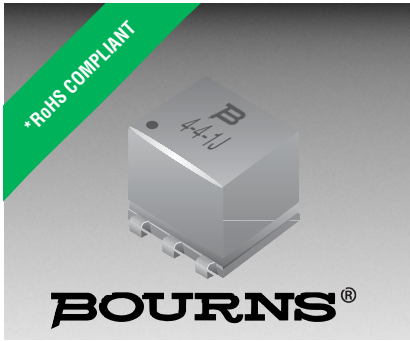
## Contact us

Tel: +86-755-8981 8866 Fax: +86-755-8427 6832

Email & Skype: info@chipsmall.com Web: www.chipsmall.com

Address: A1208, Overseas Decoration Building, #122 Zhenhua RD., Futian, Shenzhen, China





## Features

- Fully encapsulated
- Low profile
- Low insertion loss
- Frequency range 10 kHz to 500 MHz
- Impedance levels from 12.5  $\Omega$  to 800  $\Omega$  (nominal 50  $\Omega$ )
- 6 pin DIP and SMD



These series are obsolete and not recommended for new designs.

- RoHS compliant\*\*

## RF2, RF3, RF4 Series - Wideband Transformers

### Electrical Specifications @ 25 °C

Part Number			Ratio Impedance	Frequency MHz	Insertion Loss			Schematic	
Type D	Type W	Type J			3 dB MHz	2 dB MHz	1 dB MHz		
2-1-1D_	2-1-1W_	2-1-1J_	1	.050-200	.050-200	.080-150	.20-80		
2-1-6D_	2-1-6W_	2-1-6J_	1	.030-300	.030-300	.100-150	.20-50		
2-2-1D_	2-2-1W_	2-2-1J_	2	.070-200	.070-200	.100-100	.50-50		
2-2.5-6D_	2-2.5-6W_	2-2.5-6J_	2.5	.010-100	.010-100	.020-50	.05-20		
2-3-1D_	2-3-1W_	2-3-1J_	3	.050-250	.050-250	.100-200	.50-70		
2-4-1D_	2-4-1W_	2-4-1J_	4	.200-350	.200-350	.350-300	2-100		
2-4-6D_	2-4-6W_	2-4-6J_	4	.020-250	.020-250	.050-150	.10-100		
2-5-1D_	2-5-1W_	2-5-1J_	5	.300-300	.300-300	.600-200	5-100		
2-8-1D_	2-8-1W_	2-8-1J_	8	.030-140	.030-140	.100-90	1-60		
2-13-1D_	2-13-1W_	2-13-1J_	13	.300-120	.300-120	.700-80	5-20		
2-16-6D_	2-16-6W_	2-16-6J_	16	.030-75	.030-75	.060-30	10-20		
3-1-1D_	3-1-1W_	3-1-1J_	1	.150-400	.150-400	.350-200	2-50		
3-1-6D_	3-1-6W_	3-1-6J_	1	.010-150	.010-150	.020-100	.05-50		
3-1.5-1D_	3-1.5-1W_	3-1.5-1J_	1.5	.100-300	.100-300	.200-150	.50-80		
3-1.5-6D_	3-1.5-6W_	3-1.5-6J_	1.5	.020-100	.020-100	.050-50	.10-25		
3-2.5-6D_	3-2.5-6W_	3-2.5-6J_	2.5	.010-100	.010-100	.020-50	.05-20		
3-4-6D_	3-4-6W_	3-4-6J_	4	.020-200	.020-200	.050-150	.10-100		
3-9-1D_	3-9-1W_	3-9-1J_	9	.150-200	.150-200	.300-150	2-40		
3-16-1D_	3-16-1W_	3-16-1J_	16	.300-120	.300-120	.700-80	.50-20		
3-36-1D_	3-36-1W_	3-36-1J_	36	.030-20	.030-20	.050-10	.10-5		
4-1-6D_	4-1-6W_	4-1-6J_	1	.040-500	.040-500	.200-200	1-50		
4-1.5-1D_	4-1.5-1W_	4-1.5-1J_	1.5	.075-500	.075-500	.200-100	.10-50		
4-2.5-6D_	4-2.5-6W_	4-2.5-6J_	2.5	.010-50	.010-50	.025-25	.05-10		
4-4-1D_	4-4-1W_	4-4-1J_	4	.050-200	.050-200	.200-50	1-30		
4-25-1D_	4-25-1W_	4-25-1J_	25	.020-30	.020-30	.050-20	.10-10		

### Note

RF2 and RF3 are standard units. RF4 only on request.

Terminal Material: 97Sn/2.5Cu/0.5Ag

Operating Temperature Range: 0 °C to +70 °C  
Storage Temperature Range: -40 °C to +85 °C

\*RoHS Directive 2002/95/EC Jan. 27, 2003 including annex and RoHS Recast 2011/65/EU June 8, 2011.

Specifications are subject to change without notice.

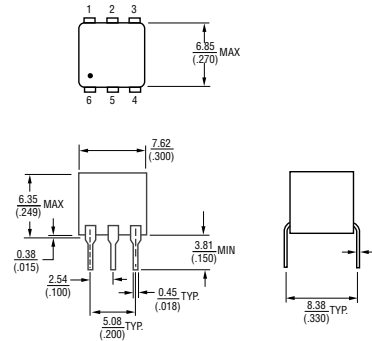
The device characteristics and parameters in this data sheet can and do vary in different applications and actual device performance may vary over time. Users should verify actual device performance in their specific applications.

# RF2, RF3, RF4 Series - Wideband Transformers

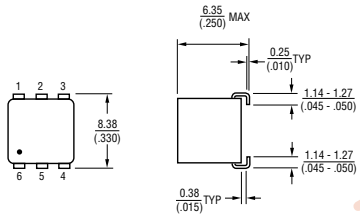
# BOURNS®

## Product Dimensions

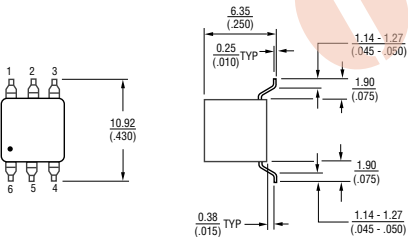
### Type D



### Type J



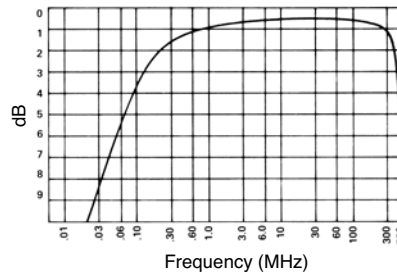
### Type W



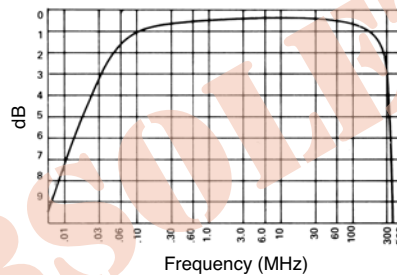
DIMENSIONS:  $\frac{\text{MM}}{(\text{INCHES})}$

## Typical Frequency Response

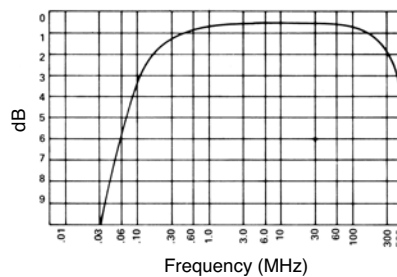
2-4-1 3 dB Bandwidth 0.200-350 MHz



2-3-1 3 dB Bandwidth 0.050-250 MHz



3-1-1 3 dB Bandwidth 0.150-400 MHz



## How To Order

Model                      **x - x - x x**                      **L**

Impedance Ratio                       
(see "Ratio Impedance")

Type Number                     

Termination Type                       
(see "Product Dimensions")  
 D = Through-hole  
 W = Surface Mount (Gull-Wing)  
 J = Surface Mount ("J" Leads)

Impedance Ratio                       
 P = Ratio: Primary to Secondary (R : 1)  
 Blank = Ratio: Secondary to Primary (R : 1)  
 Where "R" is the Ratio Impedance in Electrical Specifications chart

Packaging                       
 E = Tape and Reel (Types J and W only)  
 Blank = Tubes (Types D and W only)

Termination Material                       
 L = 97Sn/2.5Cu/0.5Ag (RoHS Compliant)

## Packaging

Tape and Reel (Types J and W only)  
 ..... 700 pcs./reel

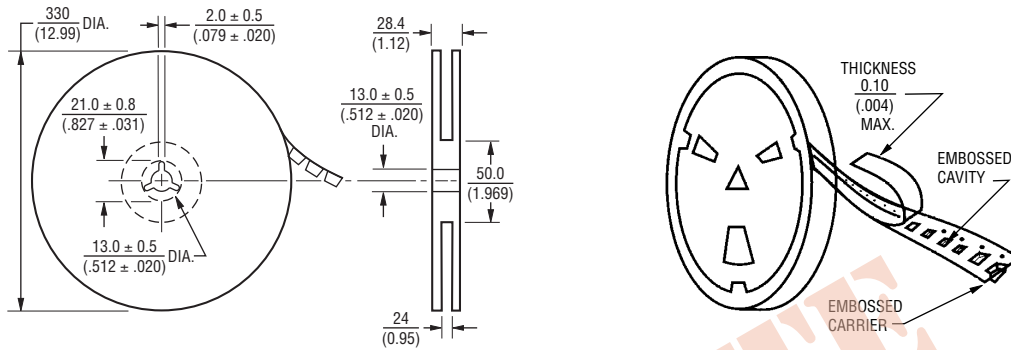
Tubes (Types D and W only)  
 ..... 68 pcs./tube

Specifications are subject to change without notice. The device characteristics and parameters in this data sheet can and do vary in different applications and actual device performance may vary over time. Users should verify actual device performance in their specific applications.

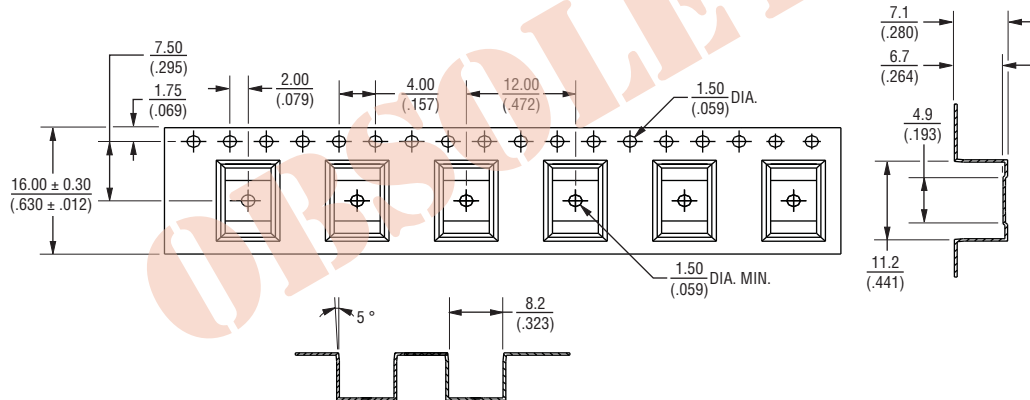
# RF2, RF3, RF4 Series - Wideband Transformers

**BOURNS®**

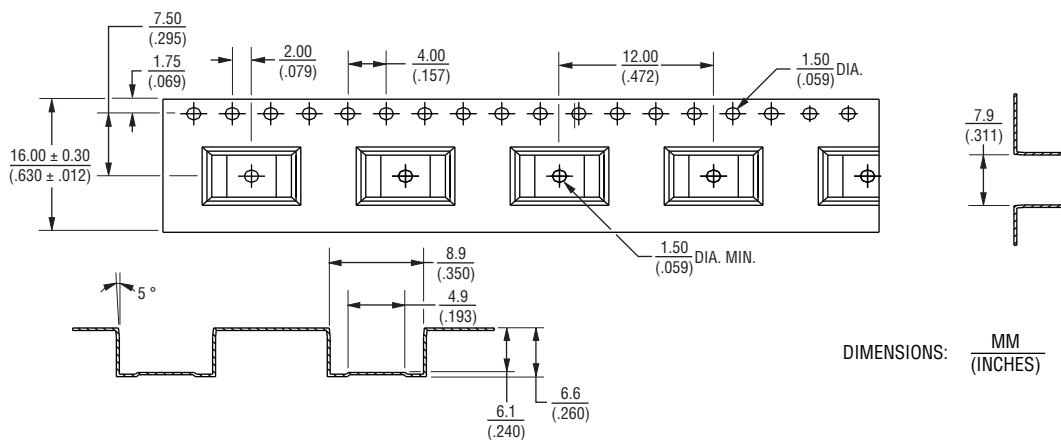
## Packaging Dimensions



## Tape Dimensions for "W" Type



## Tape Dimensions for "J" Type



DIMENSIONS:  $\frac{\text{MM}}{\text{(INCHES)}}$

REV. 08/14

Specifications are subject to change without notice. The device characteristics and parameters in this data sheet can and do vary in different applications and actual device performance may vary over time. Users should verify actual device performance in their specific applications.