



Chipsmall Limited consists of a professional team with an average of over 10 year of expertise in the distribution of electronic components. Based in Hongkong, we have already established firm and mutual-benefit business relationships with customers from,Europe,America and south Asia,supplying obsolete and hard-to-find components to meet their specific needs.

With the principle of "Quality Parts,Customers Priority,Honest Operation,and Considerate Service",our business mainly focus on the distribution of electronic components. Line cards we deal with include Microchip,ALPS,ROHM,Xilinx,Pulse,ON,Everlight and Freescale. Main products comprise IC,Modules,Potentiometer,IC Socket,Relay,Connector.Our parts cover such applications as commercial,industrial, and automotives areas.

We are looking forward to setting up business relationship with you and hope to provide you with the best service and solution. Let us make a better world for our industry!



Contact us

Tel: +86-755-8981 8866 Fax: +86-755-8427 6832

Email & Skype: info@chipsmall.com Web: www.chipsmall.com

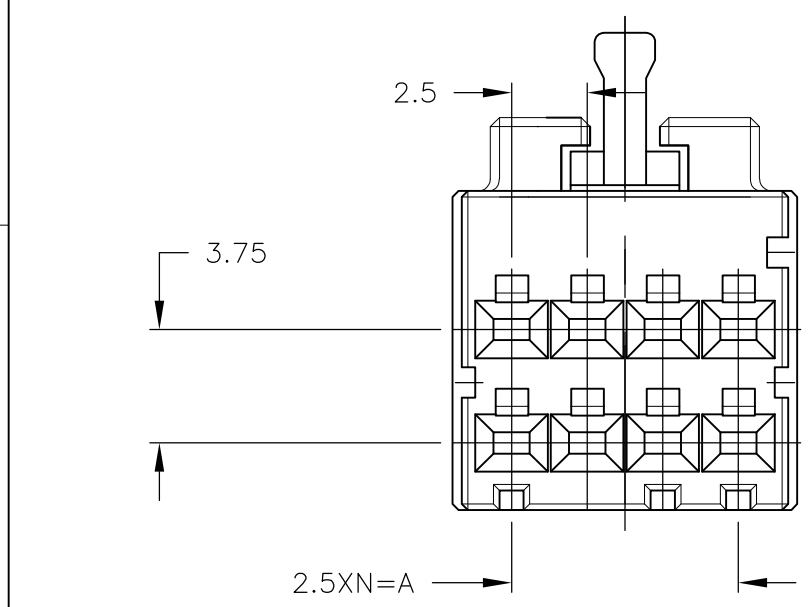
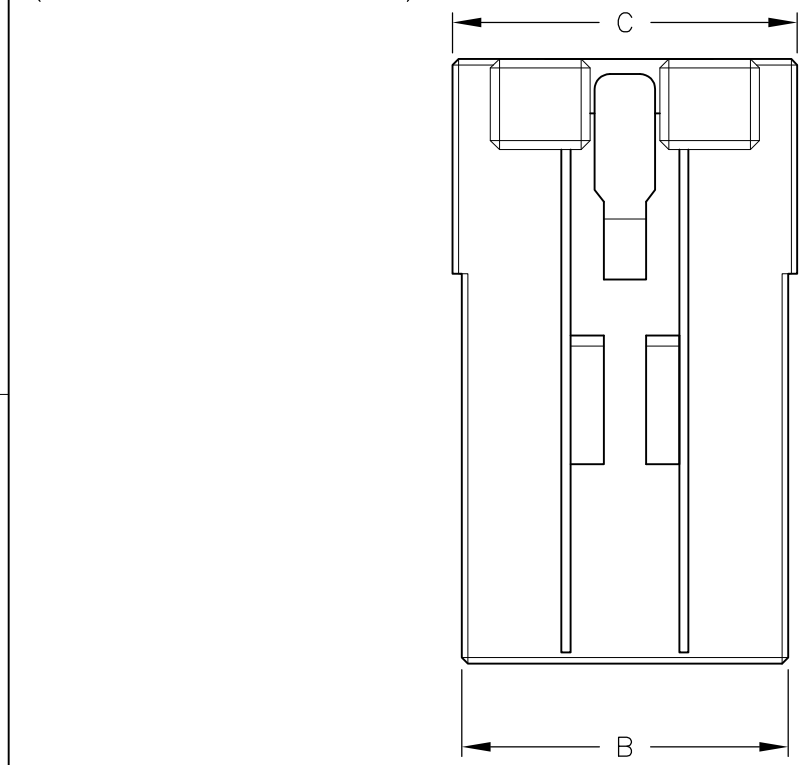
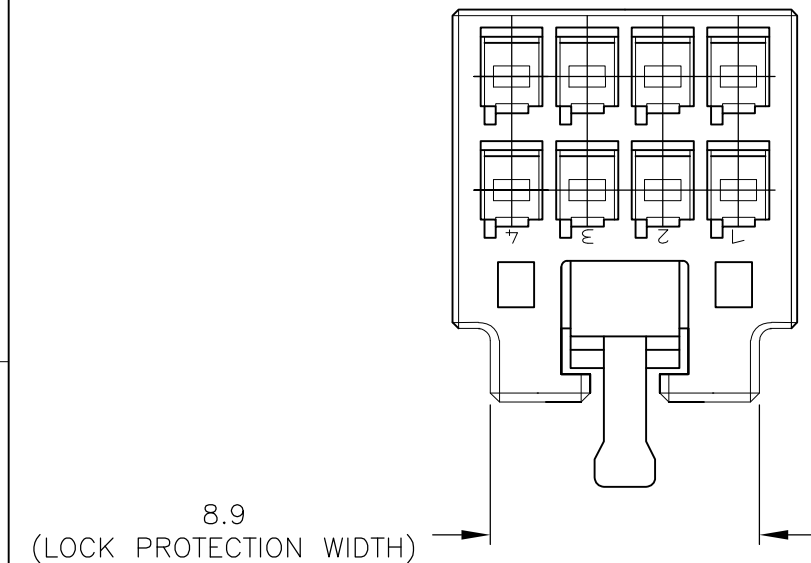
Address: A1208, Overseas Decoration Building, #122 Zhenhua RD., Futian, Shenzhen, China



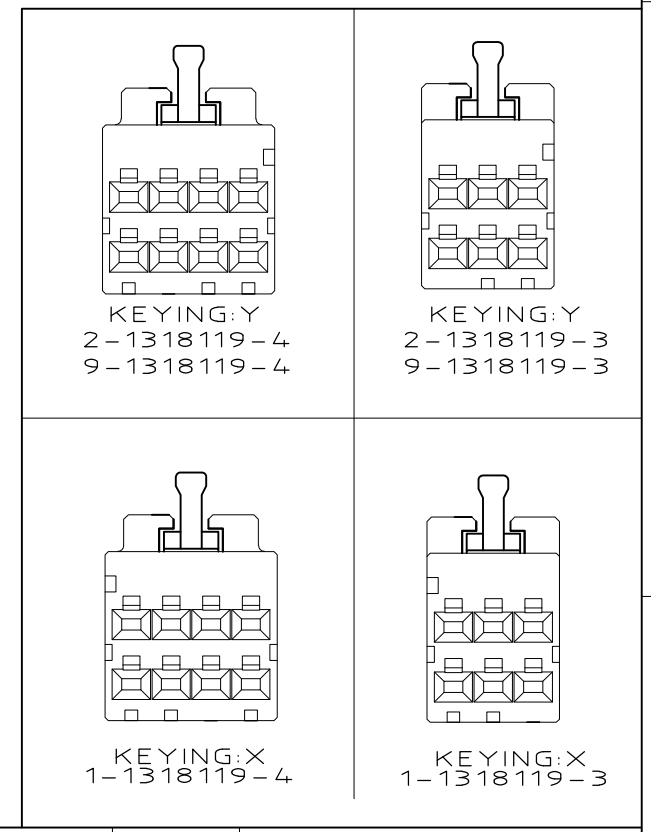
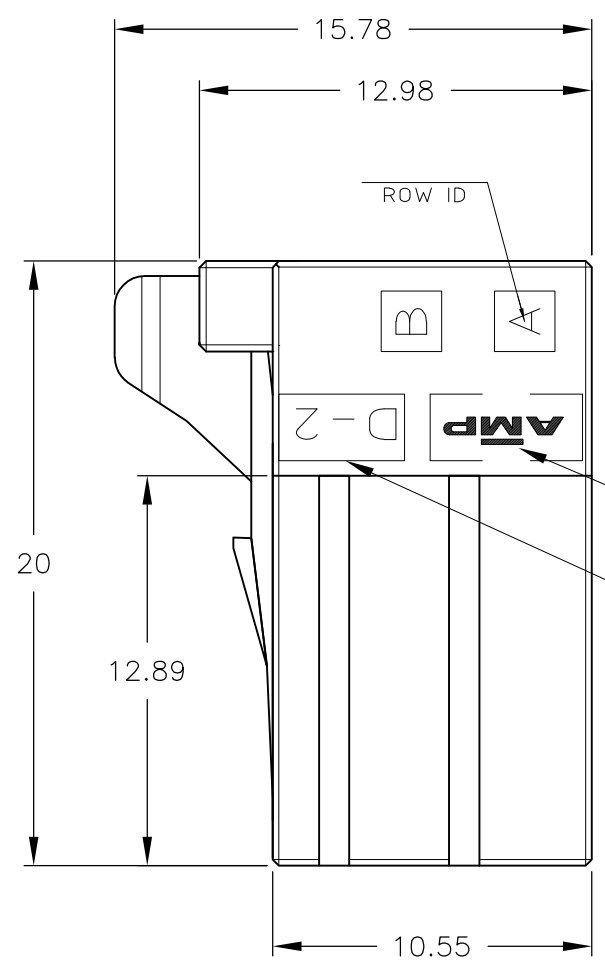
THIS DRAWING IS UNPUBLISHED. RELEASED FOR PUBLICATION
 © COPYRIGHT 2012 By Tyco Electronics Japan G.K. ALL RIGHTS RESERVED.

LOC	DIST	REVISIONS			
P	LTR	DESCRIPTION	DATE	DWN	APVD
J	—	E	REVISED	27JUN2012	H.M N.Y
		F	REVISED	17APR2015	H.O N.Y

NOTES
 1 MATERIAL:HOUSING:GLASS FILED THERMO PLASTIC
 ,POLYESTER(94V-0),
 COLOR:1-/2- : BLACK
 : 9- : NATURAL
 2 TO COAT ALL SURFACE OF HOUSING WITH TEFLON



KEY LOCATION VIEW
 2-1318119-4
 (KEYING Y)



OBSOLETE	2	11.4	10.8	7.5	3	8	5-1318119-4
	—	11.4	10.8	7.5	3	8	9-1318119-4 2-1318119-4
	—	11.4	10.8	7.5	3	8	1-1318119-4
OBSOLETE	1	8.9	8.3	5	2	6	5-1318119-3
	—	8.9	8.3	5	2	6	9-1318119-3 2-1318119-3
	—	8.9	8.3	5	2	6	1-1318119-3
FINISH		C	B	A	N	POS	PART NUMBER

THIS DRAWING IS A CONTROLLED DOCUMENT.

DWN	K.IKEDA	07DEC1998	STE TE Connectivity
CHK	N.MATSUBARA	07DEC1998	
APVD	I.HASEGAWA	07DEC1998	
NAME			
PRODUCT SPEC	108-5619		DOUBLE ROW REC HSG DYNAMIC D-2100D
APPLICATION SPEC	114-5258		
WEIGHT			SIZE CAGE CODE DRAWING NO RESTRICTED TO
CUSTOMER DRAWING			A3 00779 C-1318119
SCALE			4:1 SHEET 1 OF 1 REV F