



Chipsmall Limited consists of a professional team with an average of over 10 year of expertise in the distribution of electronic components. Based in Hongkong, we have already established firm and mutual-benefit business relationships with customers from,Europe,America and south Asia,supplying obsolete and hard-to-find components to meet their specific needs.

With the principle of “Quality Parts,Customers Priority,Honest Operation,and Considerate Service”,our business mainly focus on the distribution of electronic components. Line cards we deal with include Microchip,ALPS,ROHM,Xilinx,Pulse,ON,Everlight and Freescale. Main products comprise IC,Modules,Potentiometer,IC Socket,Relay,Connector.Our parts cover such applications as commercial,industrial, and automotives areas.

We are looking forward to setting up business relationship with you and hope to provide you with the best service and solution. Let us make a better world for our industry!



Contact us

Tel: +86-755-8981 8866 Fax: +86-755-8427 6832

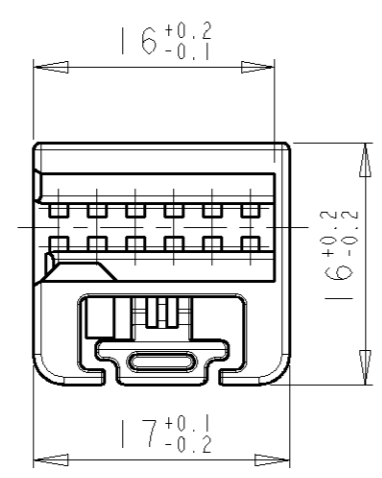
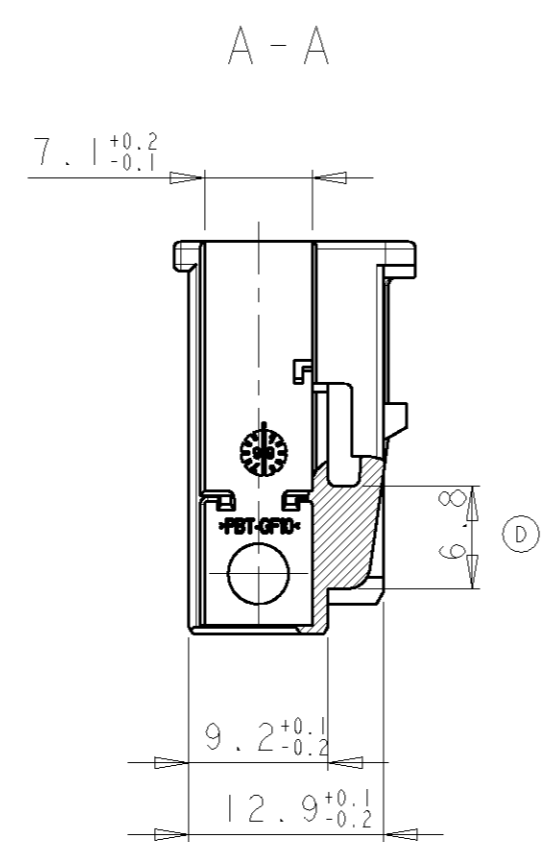
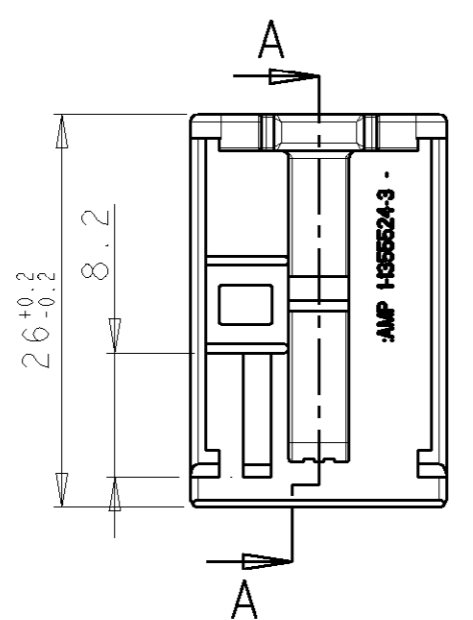
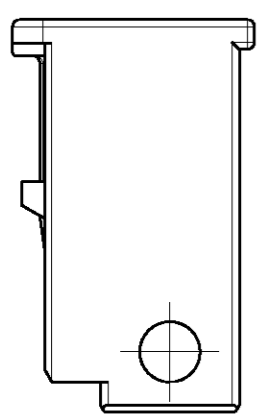
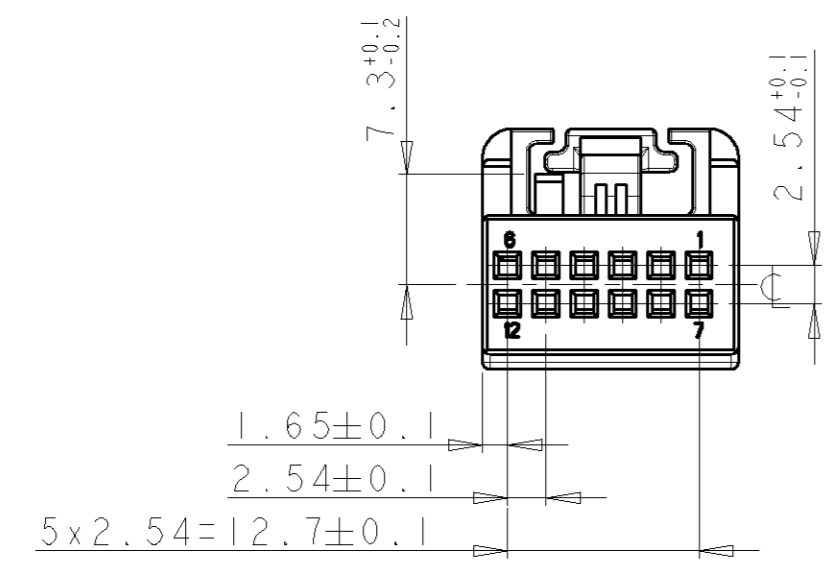
Email & Skype: info@chipsmall.com Web: www.chipsmall.com

Address: A1208, Overseas Decoration Building, #122 Zhenhua RD., Futian, Shenzhen, China

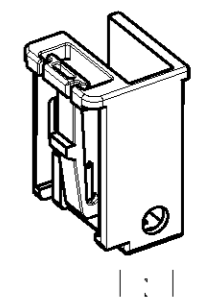
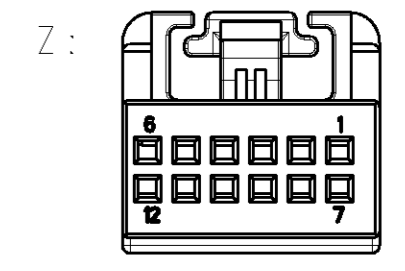
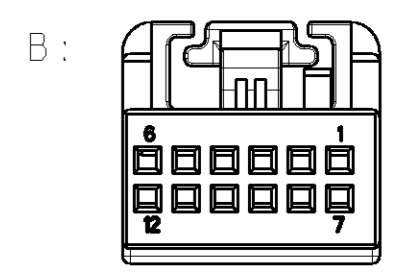
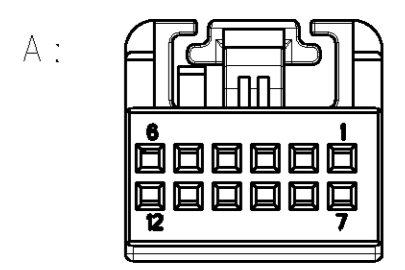


THIS DRAWING IS UNPUBLISHED.
 VERTRAULICHE UNVERÖFFENTLICHTE ZEICHNUNG
 RELEASED FOR PUBLICATION
 FREI FUER VERÖFFENTLICHUNG
 MATED WITH:
 PASSEND ZU:
 ALL RIGHTS RESERVED.
 ALLE RECHTE VORBEHALTEN

LOC A1	DIST -	REVISIONS ÄNDERUNGEN			DATE	DWN	APVD
PROJEKT NR.: 98-52009		P	LTR	DESCRIPTION BESCHREIBUNG	30APR11	RK	HMR
				REVISED PER ECO-11-005294			



Kodierungen
 CODINGS
 2:1



Bemerkungen
 NOTES

- 1 Massgebend ist der deutsche Text
 ONLY THE GERMAN-LANGUAGE VERSION SHALL BE BINDING
- 2 Verpackung: Schuetztgut
 PACKAGING: LOOSE PIECE
- 3 Einzelheiten der Ausfuehrung bleiben dem Hersteller ueberlassen
 DETAILS OF DESIGN ARE LEFT TO MANUFACTURER
- 4 DIN 16901-140, mittig ueber Nennmass
 DIN 16901-140, CENTRIC TO NOMINAL DIMENSION
- 5 Produkt darf nur mit Zustimmung von BMW geaendert werden
 PRODUCT SHALL BE CHANGED WITH THE AGREEMENT OF BMW ONLY

9-135524-3	D	Z	Abdeckkappe/COVER	wasserblau/WATER BLUE	S	2.3	1241768-2 1241768-1
2-135524-3	D	B	Abdeckkappe/COVER	natur/NATURAL	S	2.3	
1-135524-3	D	A	Abdeckkappe/COVER	schwarz/BLACK	S	2.3	
BESTELL-NR. ORDER NO.	REV.	KOD. COD.	BENENNUNG DESCRIPTION	OBERFLAECHE SURFACE FARBE/COLOUR	ART KIND GEWICHT WEIGHT	GRAMM	Passend zu: SUITABLE FOR: Stiftwanne PIN HEADER

DIMENSIONS: MASSEINHEITEN: MM		TOLERANCES UNLESS OTHERWISE SPECIFIED: ALLGEMEINTOLERANZEN		DWN O.Patschula 20JUL99	TE Connectivity			
MATERIAL PBT-GF10		0 PLC ± 1 PLC ± 2 PLC ± 3 PLC ± 4 PLC ± ANGLES/WINKEL ±° FINISH/OBERFLAECHE/FARBE -		CHK J.Hahn	NAME MICRO QUADLOK SYSTEM COVER, 12 POS Abdeckkappe, 12-pol.			
APVD		PRODUCT SPEC PRODUKTSPEZ. APPLICATION SPEC VERARBEITUNGSSPEZ.		APVD	SIZE A2	CAGE CODE 00779	DRAWING NO. ZEICHNUNGS-NR. 135524	RESTRICTED TO NUR FUER -
WEIGHT GEWICHT		CUSTOMER DRAWING		/KUNDENZEICHNUNG		SCALE MASSSTAB	SHEET BLATT	OF VON
							REV D1	