



Chipsmall Limited consists of a professional team with an average of over 10 year of expertise in the distribution of electronic components. Based in Hongkong, we have already established firm and mutual-benefit business relationships with customers from,Europe,America and south Asia,supplying obsolete and hard-to-find components to meet their specific needs.

With the principle of “Quality Parts,Customers Priority,Honest Operation,and Considerate Service”,our business mainly focus on the distribution of electronic components. Line cards we deal with include Microchip,ALPS,ROHM,Xilinx,Pulse,ON,Everlight and Freescale. Main products comprise IC,Modules,Potentiometer,IC Socket,Relay,Connector.Our parts cover such applications as commercial,industrial, and automotives areas.

We are looking forward to setting up business relationship with you and hope to provide you with the best service and solution. Let us make a better world for our industry!



Contact us

Tel: +86-755-8981 8866 Fax: +86-755-8427 6832

Email & Skype: info@chipsmall.com Web: www.chipsmall.com

Address: A1208, Overseas Decoration Building, #122 Zhenhua RD., Futian, Shenzhen, China



4

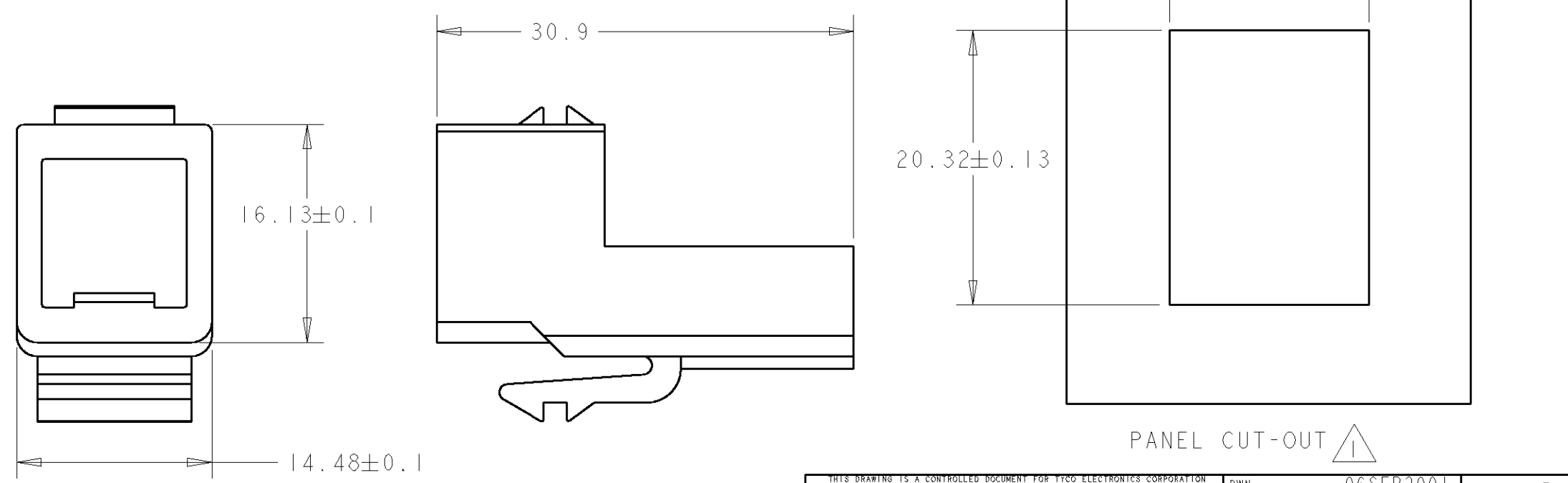
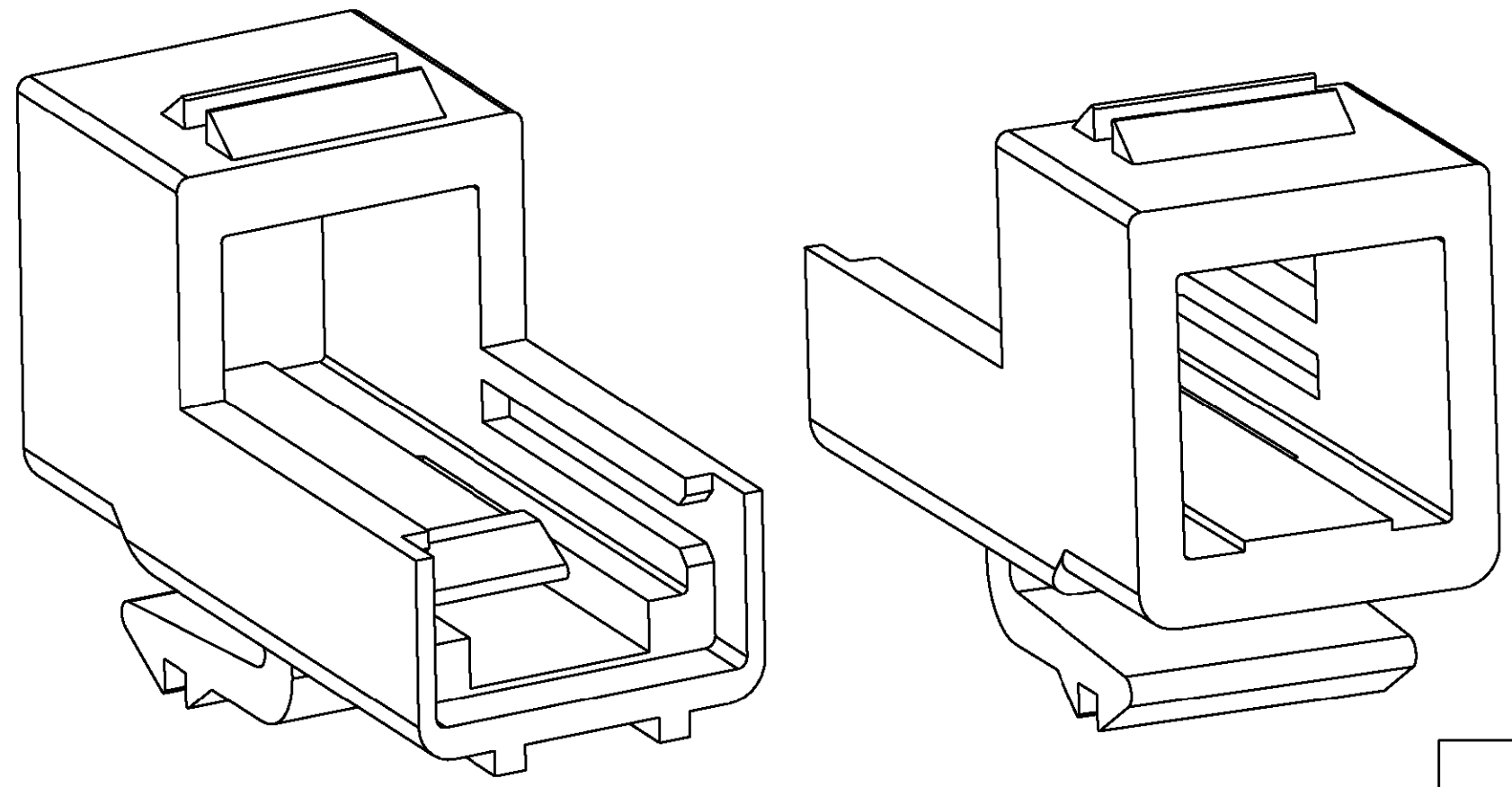
3

2

1

THIS DRAWING IS UNPUBLISHED. RELEASED FOR PUBLICATION 20
 © COPYRIGHT 20 BY TYCO ELECTRONICS CORPORATION. ALL RIGHTS RESERVED.

LOC	DIST	REVISIONS					
		P	LTR	DESCRIPTION	DATE	DWN	APVD
CE	00		O	RELEASE PER NPR 00-124	06SEP2001	BB	BE
			A	REVISE PER 0A00-0508-03	16OCT2003	BB	DR
			B	REVISE PER 0A00-0413-04	19AUG2004	BB	DK
			C	REVISE PER 0A00-0096-05	03MAR2005	BB	DK



SLATE	2-1374416-6
BROWN	2-1374416-5
AQUA	2-1374416-4
ROSE	2-1374416-3
ELECT. IVORY	1-1374416-1
VIOLET	1-1374416-0
GREEN	1374416-9
YELLOW	1374416-8
RED	1374416-7
BLUE	1374416-6
ORANGE	1374416-5
GRAY	1374416-4
WHITE	1374416-3
BLACK	1374416-2
ALMOND	1374416-1
COLOR	PART NUMBER

PANEL CUT-OUT

PANEL THICKNESS IS 1.65/1.50mm.
 2. BULK PACKAGE, 6 PCS.

<small>THIS DRAWING IS A CONTROLLED DOCUMENT FOR TYCO ELECTRONICS CORPORATION IT IS SUBJECT TO CHANGE AND THE CONTROLLING ENGINEERING ORGANIZATION SHOULD BE CONTACTED FOR THE LATEST REVISION.</small>		DWN B. BRIGGS 06SEP2001 CHK B. BRIGGS 06SEP2001 APVD B. EDWARDS 06SEP2001	Tyco Electronics Harrisburg, PA 17105-3608
DIMENSIONS: mm	TOLERANCES UNLESS OTHERWISE SPECIFIED: 0 PLC ±0.1 1 PLC ±0.1 2 PLC ±0.05 3 PLC ± 4 PLC ± ANGLES ±	PRODUCT SPEC - APPLICATION SPEC - WEIGHT -	NAME CONNECTOR JACK HOUSING, 39mm, MT-RJ FIELD TERMINATION
MATERIAL -	FINISH -	SIZE A3 CAGE CODE 00779 DRAWING NO C-1374416	RESTRICTED TO -
CUSTOMER DRAWING		SCALE 4:1	SHEET 1 OF 1 REV C