



Chipsmall Limited consists of a professional team with an average of over 10 year of expertise in the distribution of electronic components. Based in Hongkong, we have already established firm and mutual-benefit business relationships with customers from,Europe,America and south Asia,supplying obsolete and hard-to-find components to meet their specific needs.

With the principle of “Quality Parts,Customers Priority,Honest Operation,and Considerate Service”,our business mainly focus on the distribution of electronic components. Line cards we deal with include Microchip,ALPS,ROHM,Xilinx,Pulse,ON,Everlight and Freescale. Main products comprise IC,Modules,Potentiometer,IC Socket,Relay,Connector.Our parts cover such applications as commercial,industrial, and automotives areas.

We are looking forward to setting up business relationship with you and hope to provide you with the best service and solution. Let us make a better world for our industry!



## Contact us

Tel: +86-755-8981 8866 Fax: +86-755-8427 6832

Email & Skype: info@chipsmall.com Web: www.chipsmall.com

Address: A1208, Overseas Decoration Building, #122 Zhenhua RD., Futian, Shenzhen, China

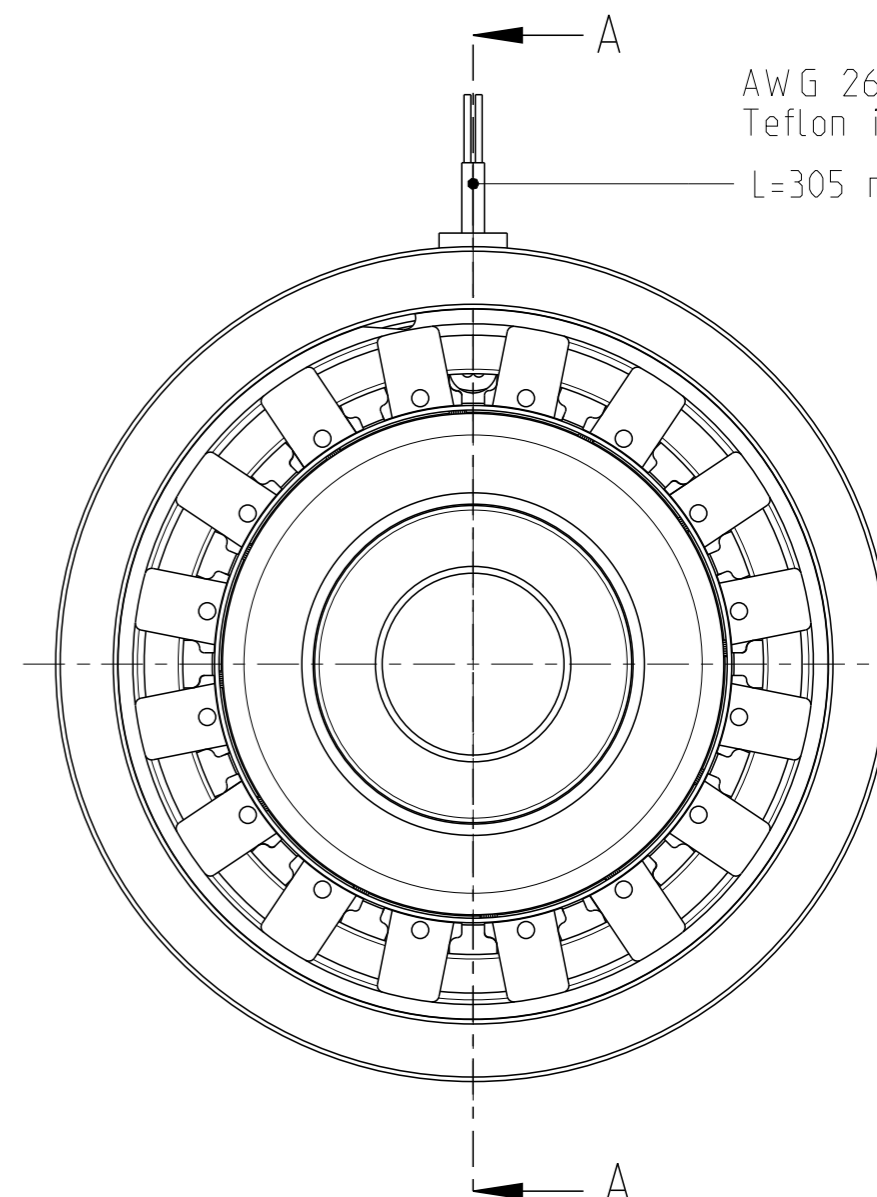
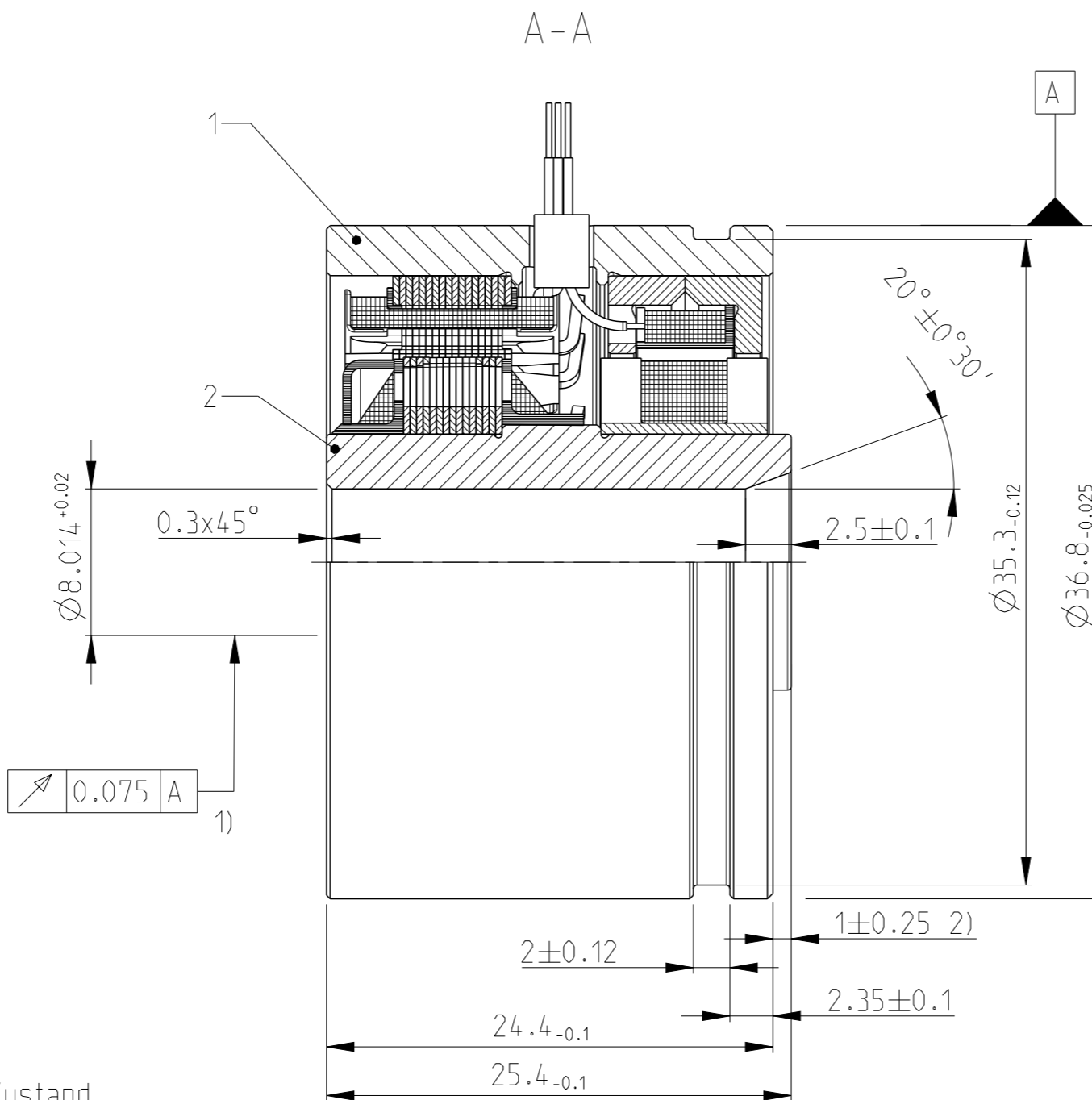
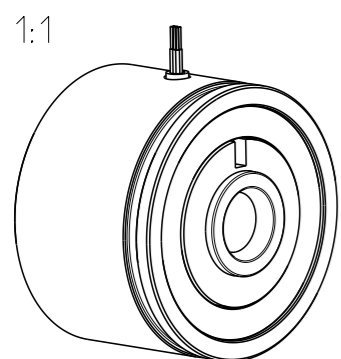


REVISIONS

P	LTR	DESCRIPTION	DATE	DWN	APVD
	C1	INITIAL RELEASE	01JULY2015	GCM	PL

Signal	Aderfarbe
S1	rot
S2	gelb
S3	schwarz
S4	blau
R1	rot-weiss
R2	gelb-weiss

Anschlußleitung über min.200mm Länge paarweise verdreht, bei einer Schlaglänge kleiner 12,5mm.



AWG 26,  
Teflon isoliert  
L=305 min.

- 1) Gesamtschlag im eingebauten Zustand
- 2) Axialversatz

Ersetzt / replace V23401-D3002-B301

REVISION	PARTNUMBER	DESCRIPTION	ITEM NO
1	1-1824881-0	Rotor kpl. / Bauform B3 (12N)	2
1	1-1824766-0	Gehäuse kpl. / Bauform D3	1
1-1824919-0	PARTNUMBER	DESCRIPTION	ITEM NO
REVISION OF EACH ASSY NO. (WHEN BLANK, USE DWG. REVISION)			
PARTS LIST			

DIMENSIONS:		TOLERANCES UNLESS OTHERWISE SPECIFIED:	
mm			
	0 PLC	±	
	1 PLC	±	
	2 PLC	±	
	3 PLC	±	
	4 PLC	±	
	ANGLES	±	±1°
MATERIAL		FINISH	
-		-	
-		-	

DWN	GANESH C M	01JULY2015
CHK	P. LERCHENFELD	01JULY2015
APVD	P. LERCHENFELD	01JULY2015
PRODUCT SPEC		
APPLICATION SPEC		
WEIGHT		
Customer Drawing		

		TE Connectivity	
		NAME	
Massbild Hohlwellendrehmelder Gr.15			
Dimensional Drawing Resolver Sz.15			
V23401-D3002-B301			
SIZE	CAGE CODE	DRAWING NO	RESTRICTED TO
A3	00779	C=2-1393047-2	-
SCALE		SHEET	REV
3:1		1 OF 1	C1