



Chipsmall Limited consists of a professional team with an average of over 10 year of expertise in the distribution of electronic components. Based in Hongkong, we have already established firm and mutual-benefit business relationships with customers from,Europe,America and south Asia,supplying obsolete and hard-to-find components to meet their specific needs.

With the principle of “Quality Parts,Customers Priority,Honest Operation,and Considerate Service”,our business mainly focus on the distribution of electronic components. Line cards we deal with include Microchip,ALPS,ROHM,Xilinx,Pulse,ON,Everlight and Freescale. Main products comprise IC,Modules,Potentiometer,IC Socket,Relay,Connector.Our parts cover such applications as commercial,industrial, and automotives areas.

We are looking forward to setting up business relationship with you and hope to provide you with the best service and solution. Let us make a better world for our industry!



Contact us

Tel: +86-755-8981 8866 Fax: +86-755-8427 6832

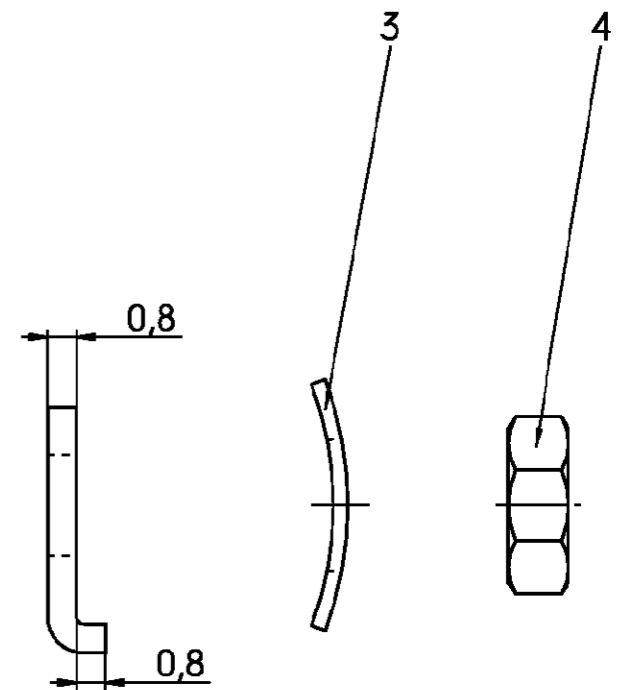
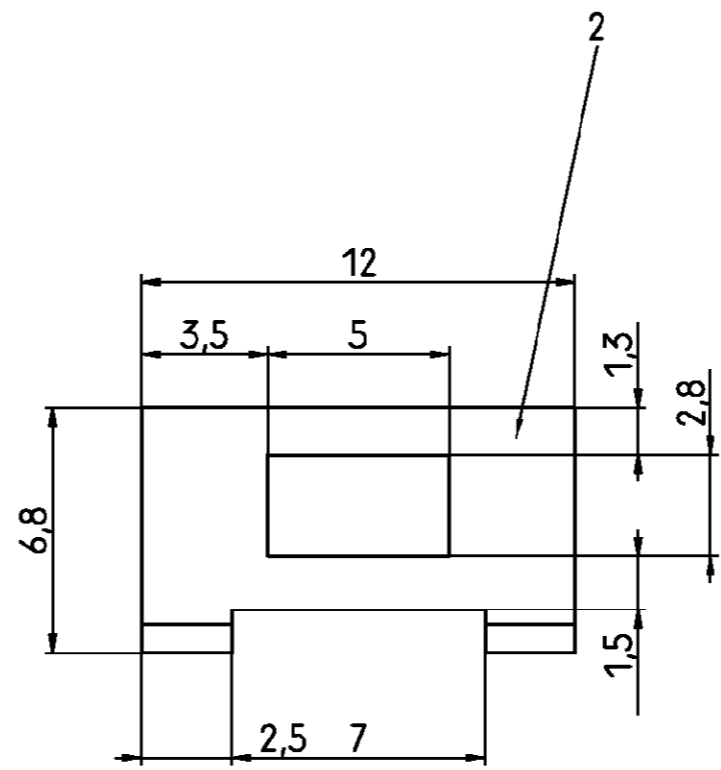
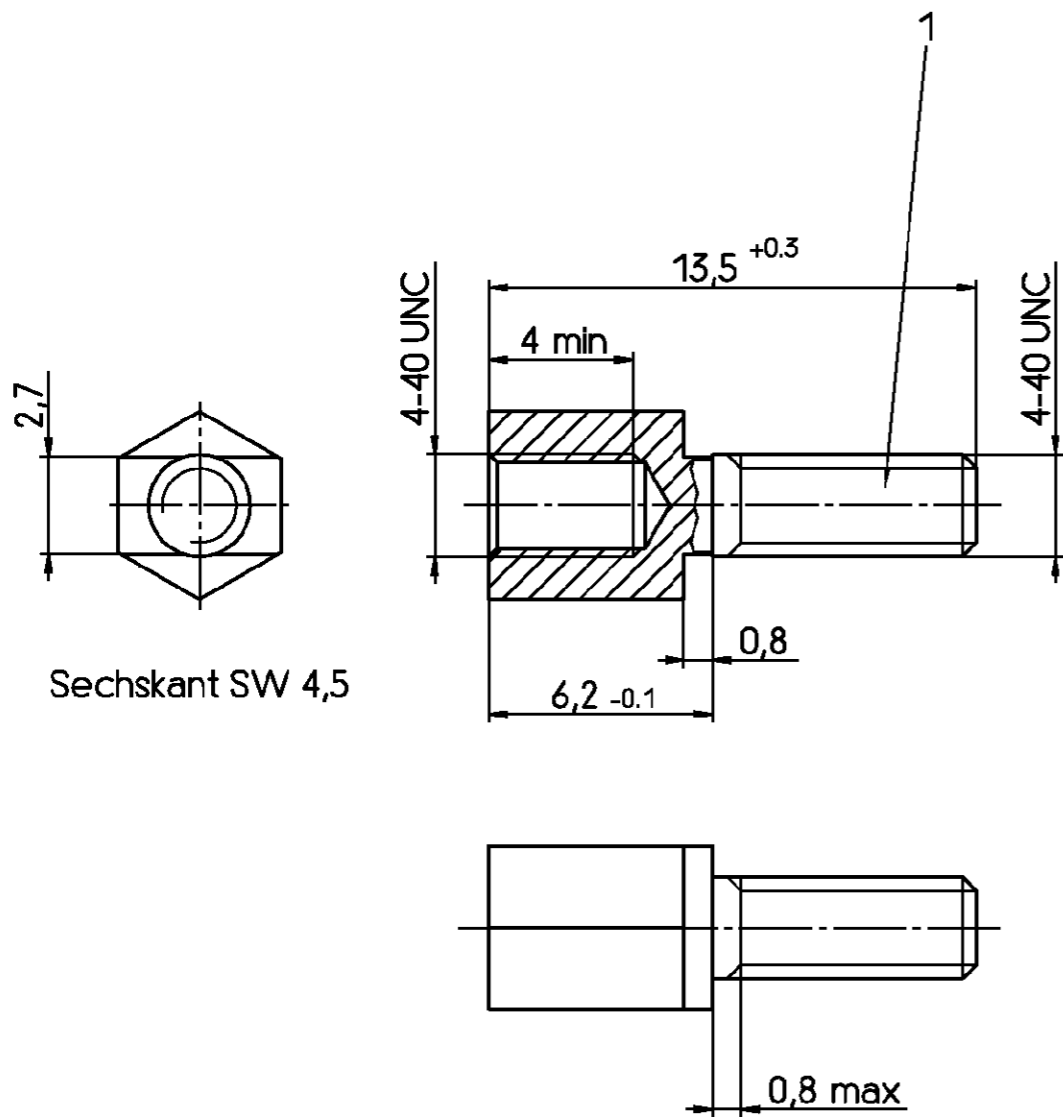
Email & Skype: info@chipsmall.com Web: www.chipsmall.com

Address: A1208, Overseas Decoration Building, #122 Zhenhua RD., Futian, Shenzhen, China



THIS INFORMATION IS CONFIDENTIAL AND PROPRIETARY TO TYCO ELECTRONICS CORPORATION AND ITS WORLDWID
 SUBSIDIARIES AND AFFILIATES. IT MAY NOT BE DISCLOSED TO ANYONE, OTHER THAN TYCO ELECTRONICS PERSONEL,
 WITHOUT WRITTEN AUTHORIZATION FROM TYCO ELECTRONICS CORPORATION, HARRISBURG, PENNSYLVANIA USA.

PROPRIETARY



Aktuelles Sachnummern.
 Kontaktieren Sie Tyco Electronics
 für weitere Varianten

Altes Sachnummer	Tyco Sachnummer
V42254-A142-V1	2-1393560-5
V42254-A142-V2	6-1393500-2

tyco		TYCO ELECTRONICS CORPORATION		SCALE 5:1		WEIGHT	
Electronics		OOSTKAMP - BELGIUM		DIMENSIONS IN MM		MATERIAL	
REV.		CHANGE ORDER		DATE		PART NAME	
A		WO 01/7022		19.12.00		Bolzensatz	
03		WO92/030		07.11.91		PART NO.	
02		WB89/188		05.07.89		V42254-A142-V1-*27	
01				07.10.88		SHT. 1-	
APP.		DATE		TOLERANCE UNLESS SPECIFIED OTHERWISE		OF 1	
Customer Drawing Nr.		C 2-1393560-5					