



Chipsmall Limited consists of a professional team with an average of over 10 year of expertise in the distribution of electronic components. Based in Hongkong, we have already established firm and mutual-benefit business relationships with customers from,Europe,America and south Asia,supplying obsolete and hard-to-find components to meet their specific needs.

With the principle of “Quality Parts,Customers Priority,Honest Operation,and Considerate Service”,our business mainly focus on the distribution of electronic components. Line cards we deal with include Microchip,ALPS,ROHM,Xilinx,Pulse,ON,Everlight and Freescale. Main products comprise IC,Modules,Potentiometer,IC Socket,Relay,Connector.Our parts cover such applications as commercial,industrial, and automotives areas.

We are looking forward to setting up business relationship with you and hope to provide you with the best service and solution. Let us make a better world for our industry!



## Contact us

Tel: +86-755-8981 8866 Fax: +86-755-8427 6832

Email & Skype: info@chipsmall.com Web: www.chipsmall.com

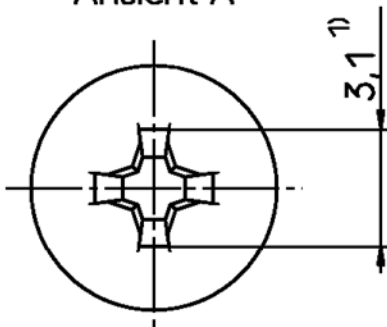
Address: A1208, Overseas Decoration Building, #122 Zhenhua RD., Futian, Shenzhen, China



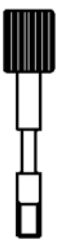
Verpackung:  
 für -V8 und -V108: 1000 Teile pro Verpackungseinheit  
 für -V9 und -V109: 10 Teile pro Verpackungseinheit

Kunststoff  
 Farbe: für -V8 und -V9: kieselgrau  
 für -V108 und -V109: schwarz

Ansicht A



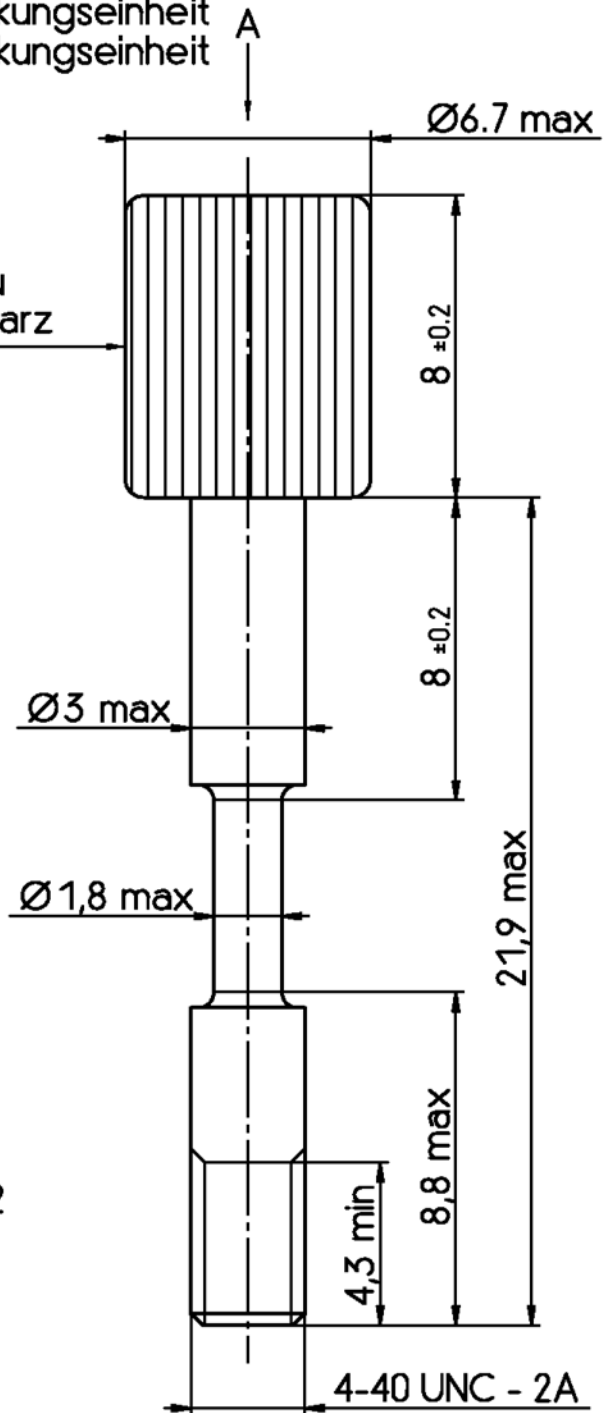
1:1



1) Kreuzschlitz nach DIN7962

Aktuelles Sachnummern.  
 Kontaktieren Sie TE CONNECTIVITY  
 für Weitere Varianten

Altes Sachnummer	TE CONNECTIVITY PART NUMBER
V42254-A112-V8	1-1393561-8
V42254-A112-V9	1-1393561-9
V42254-A112-V108	2-1393561-0 OBSOLETE
V42254-A112-V109	2-1393561-1



TE Connectivity



DIMENSIONS IN MM

SCALE 5:1 (1:1)

WEIGHT

MATERIAL

PART NAME

SBM 383 Rändelschraube

PART NO.

V42254-A112-V9-\* -27

SHT. 1-

C	ECO-12-008266	24AUG	CWR
B1	REVISED PER ECO-11-005294	12APR11	HMR

REV. CHANGE ORDER DATE APP. Customer Drawing Nr. C 1-1393561-9 OF 1

PROPRIETARY: