



Chipsmall Limited consists of a professional team with an average of over 10 year of expertise in the distribution of electronic components. Based in Hongkong, we have already established firm and mutual-benefit business relationships with customers from,Europe,America and south Asia,supplying obsolete and hard-to-find components to meet their specific needs.

With the principle of "Quality Parts,Customers Priority,Honest Operation,and Considerate Service",our business mainly focus on the distribution of electronic components. Line cards we deal with include Microchip,ALPS,ROHM,Xilinx,Pulse,ON,Everlight and Freescale. Main products comprise IC,Modules,Potentiometer,IC Socket,Relay,Connector.Our parts cover such applications as commercial,industrial, and automotives areas.

We are looking forward to setting up business relationship with you and hope to provide you with the best service and solution. Let us make a better world for our industry!



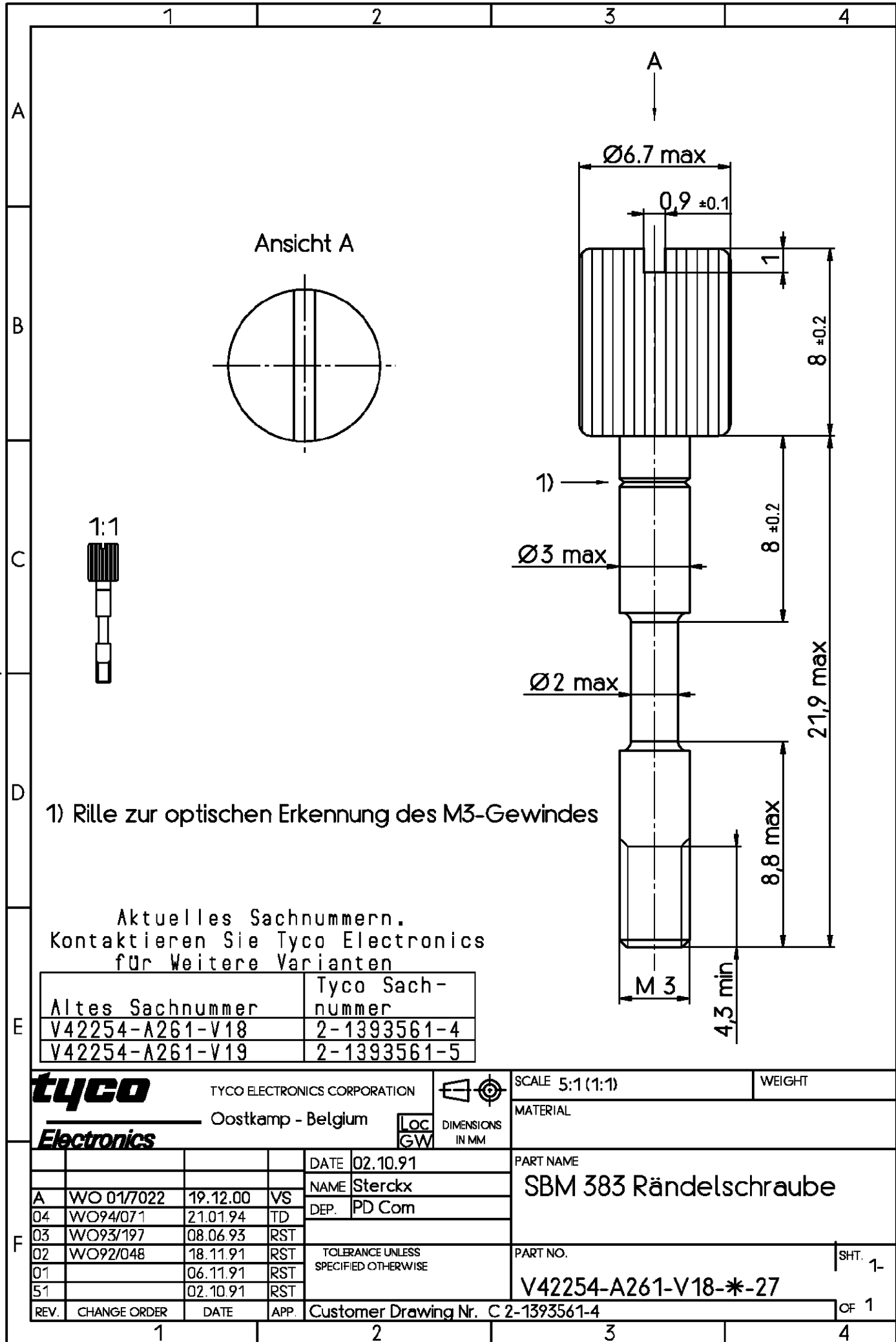
Contact us

Tel: +86-755-8981 8866 Fax: +86-755-8427 6832

Email & Skype: info@chipsmall.com Web: www.chipsmall.com

Address: A1208, Overseas Decoration Building, #122 Zhenhua RD., Futian, Shenzhen, China





1) Rille zur optischen Erkennung des M3-Gewindes

Aktuelles Sachnummern.
Kontaktieren Sie Tyco Electronics
für Weitere Varianten

Altes Sachnummer	Tyco Sachnummer
V42254-A261-V18	2-1393561-4
V42254-A261-V19	2-1393561-5

tyco
Electronics

TYCO ELECTRONICS CORPORATION
Oostkamp - Belgium



LOC
GW DIMENSIONS
IN MM

SCALE 5:1 (1:1)

WEIGHT

MATERIAL

PART NAME

SBM 383 Rändelschraube

PART NO.

V42254-A261-V18-*27

SHT. 1-

REV.	CHANGE ORDER	DATE	APP.
A	WO 01/7022	19.12.00	VS
04	WO94/071	21.01.94	TD
03	WO93/197	08.06.93	RST
02	WO92/048	18.11.91	RST
01		06.11.91	RST
51		02.10.91	RST

DATE 02.10.91

NAME Sterckx

DEP. PD Com

TOLERANCE UNLESS
SPECIFIED OTHERWISE

Customer Drawing Nr. C 2-1393561-4

OF 1

THIS INFORMATION IS CONFIDENTIAL AND PROPRIETARY TO TYCO ELECTRONICS CORPORATION AND ITS WORLDWIDE SUBSIDIARIES AND AFFILIATES. IT MAY NOT BE DISCLOSED TO ANYONE, OTHER THAN TYCO ELECTRONICS PERSONNEL, WITHOUT WRITTEN AUTHORIZATION FROM TYCO ELECTRONICS CORPORATION, HARRISBURG, PENNSYLVANIA USA.

PROPRIETARY: