



Chipsmall Limited consists of a professional team with an average of over 10 year of expertise in the distribution of electronic components. Based in Hongkong, we have already established firm and mutual-benefit business relationships with customers from,Europe,America and south Asia,supplying obsolete and hard-to-find components to meet their specific needs.

With the principle of “Quality Parts,Customers Priority,Honest Operation,and Considerate Service”,our business mainly focus on the distribution of electronic components. Line cards we deal with include Microchip,ALPS,ROHM,Xilinx,Pulse,ON,Everlight and Freescale. Main products comprise IC,Modules,Potentiometer,IC Socket,Relay,Connector.Our parts cover such applications as commercial,industrial, and automotives areas.

We are looking forward to setting up business relationship with you and hope to provide you with the best service and solution. Let us make a better world for our industry!



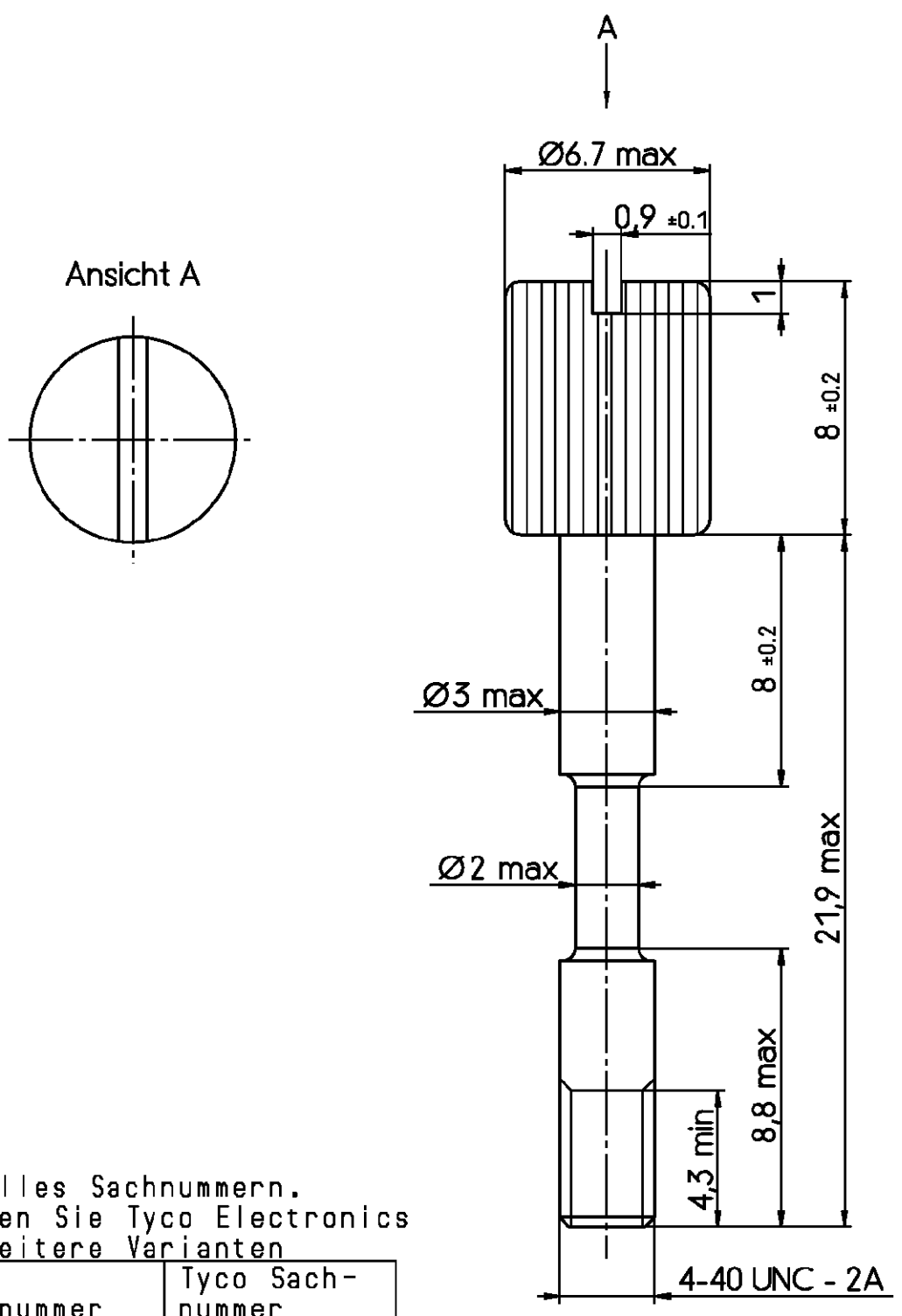
Contact us

Tel: +86-755-8981 8866 Fax: +86-755-8427 6832

Email & Skype: info@chipsmall.com Web: www.chipsmall.com

Address: A1208, Overseas Decoration Building, #122 Zhenhua RD., Futian, Shenzhen, China





Aktuelles Sachnummern.
 Kontaktieren Sie Tyco Electronics
 für Weitere Varianten

Altes Sachnummer	Tyco Sachnummer
V42254-A262-V18	2-1393561-8
V42254-A262-V19	2-1393561-9

tyco		TYCO ELECTRONICS CORPORATION		SCALE 5:1 (1:1)		WEIGHT	
Electronics		Oostkamp - Belgium		DIMENSIONS IN MM		MATERIAL	
		DATE 02.10.91		PART NAME			
		NAME Sterckx		SBM 383 Rändelschraube			
		DEP. PD Com		PART NO.			
A1	ECR-07-002474	31 JAN 07	JvdH	V42254-A262-V18-*27			
A	WO 01/7022	19.12.00	VS	SHT. 1-			
03	WO94/071	21.01.94	TD	TOLERANCE UNLESS SPECIFIED OTHERWISE			
02	WO93/197	08.06.93	RST	Customer Drawing Nr. C 2-1393561-8			
01		06.11.91	RST	OF 1			
51		02.10.91	RST				
REV.	CHANGE ORDER	DATE	APP.				

THIS INFORMATION IS CONFIDENTIAL AND PROPRIETARY TO TYCO ELECTRONICS CORPORATION AND ITS WORLDWIDE SUBSIDIARIES AND AFFILIATES. IT MAY NOT BE DISCLOSED TO ANYONE, OTHER THAN TYCO ELECTRONICS PERSONNEL, WITHOUT WRITTEN AUTHORIZATION FROM TYCO ELECTRONICS CORPORATION, HARRISBURG, PENNSYLVANIA USA.

PROPRIETARY: