



Chipsmall Limited consists of a professional team with an average of over 10 year of expertise in the distribution of electronic components. Based in Hongkong, we have already established firm and mutual-benefit business relationships with customers from,Europe,America and south Asia,supplying obsolete and hard-to-find components to meet their specific needs.

With the principle of “Quality Parts,Customers Priority,Honest Operation,and Considerate Service”,our business mainly focus on the distribution of electronic components. Line cards we deal with include Microchip,ALPS,ROHM,Xilinx,Pulse,ON,Everlight and Freescale. Main products comprise IC,Modules,Potentiometer,IC Socket,Relay,Connector.Our parts cover such applications as commercial,industrial, and automotives areas.

We are looking forward to setting up business relationship with you and hope to provide you with the best service and solution. Let us make a better world for our industry!



Contact us

Tel: +86-755-8981 8866 Fax: +86-755-8427 6832

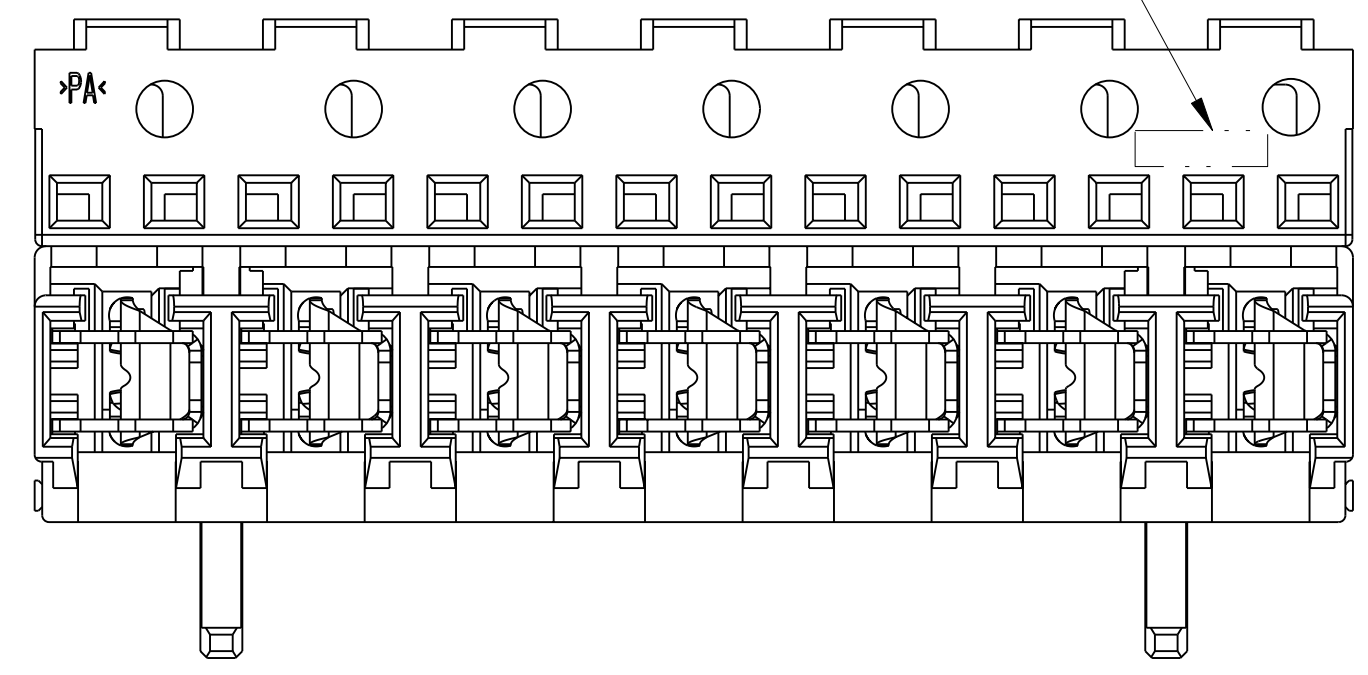
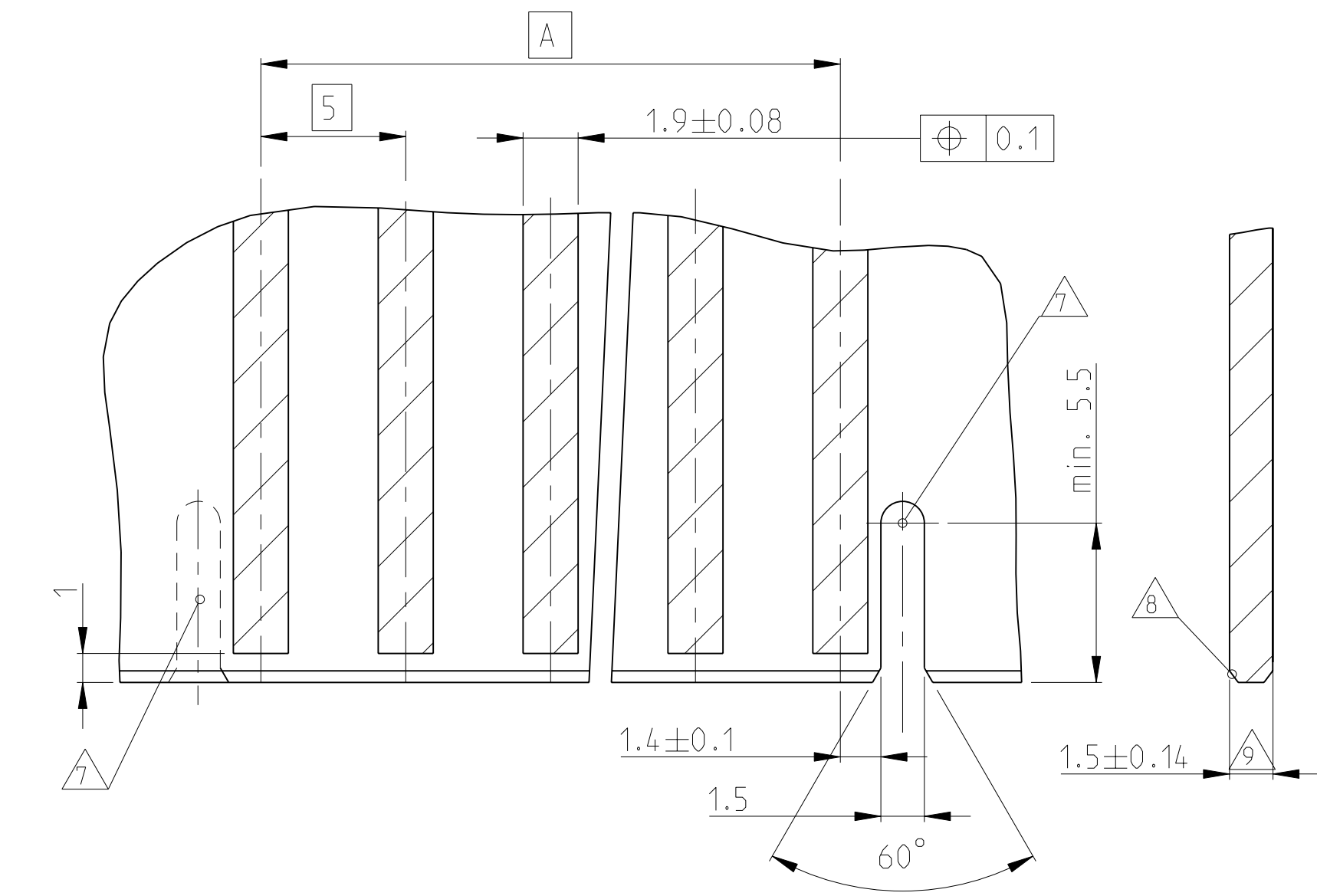
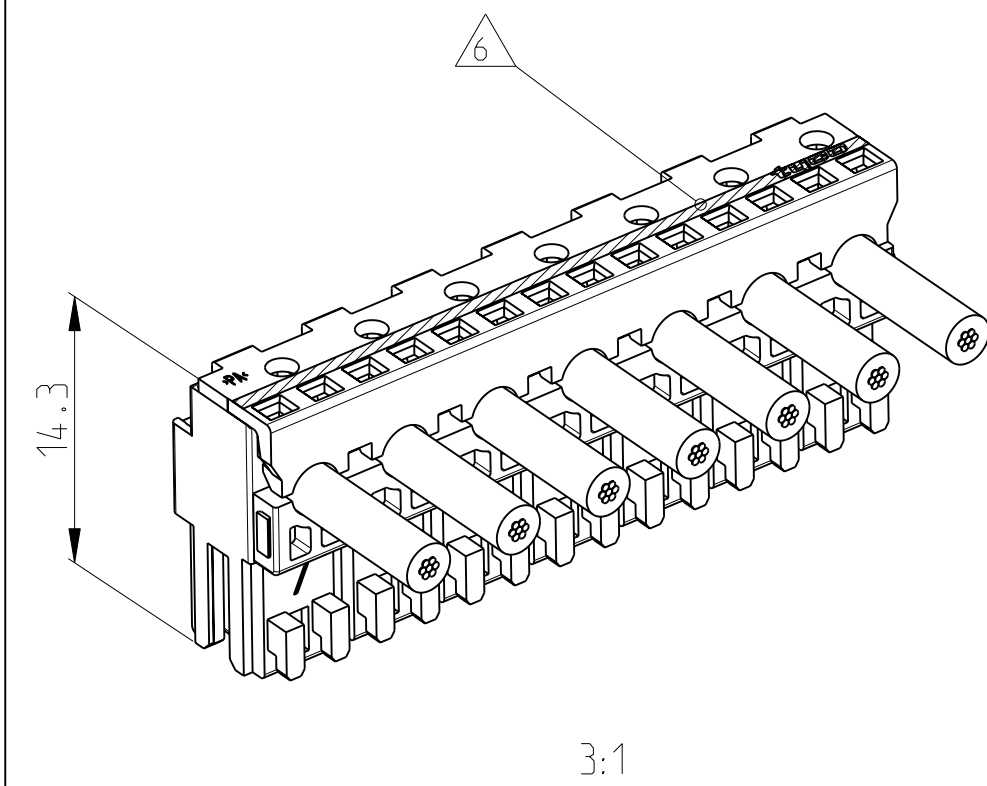
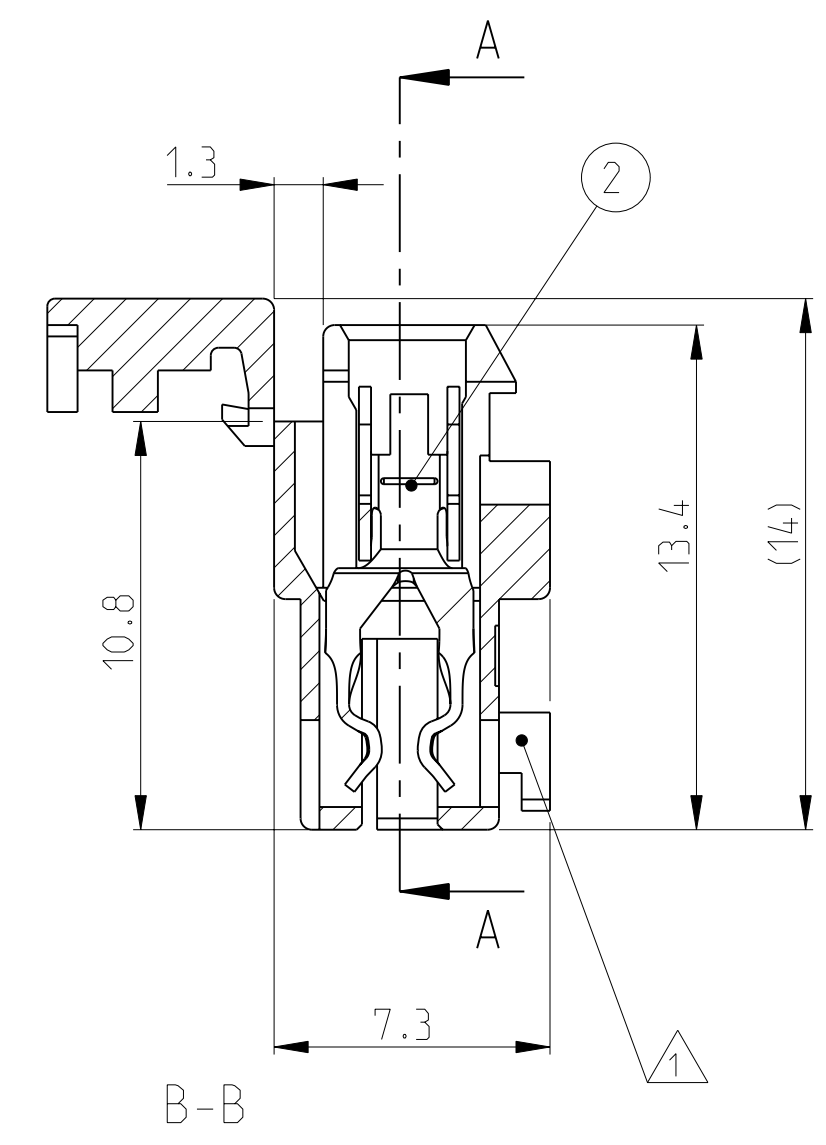
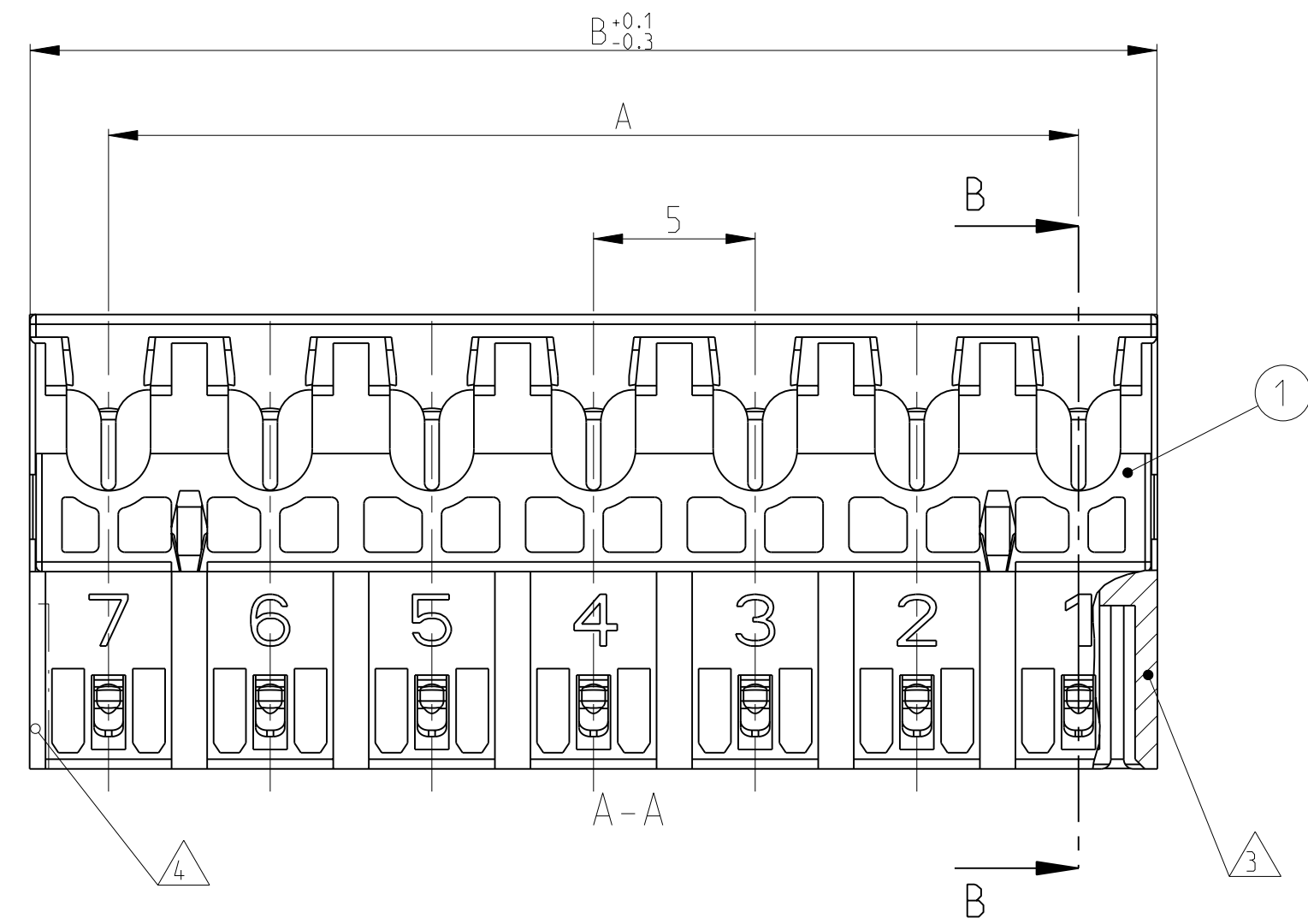
Email & Skype: info@chipsmall.com Web: www.chipsmall.com

Address: A1208, Overseas Decoration Building, #122 Zhenhua RD., Futian, Shenzhen, China

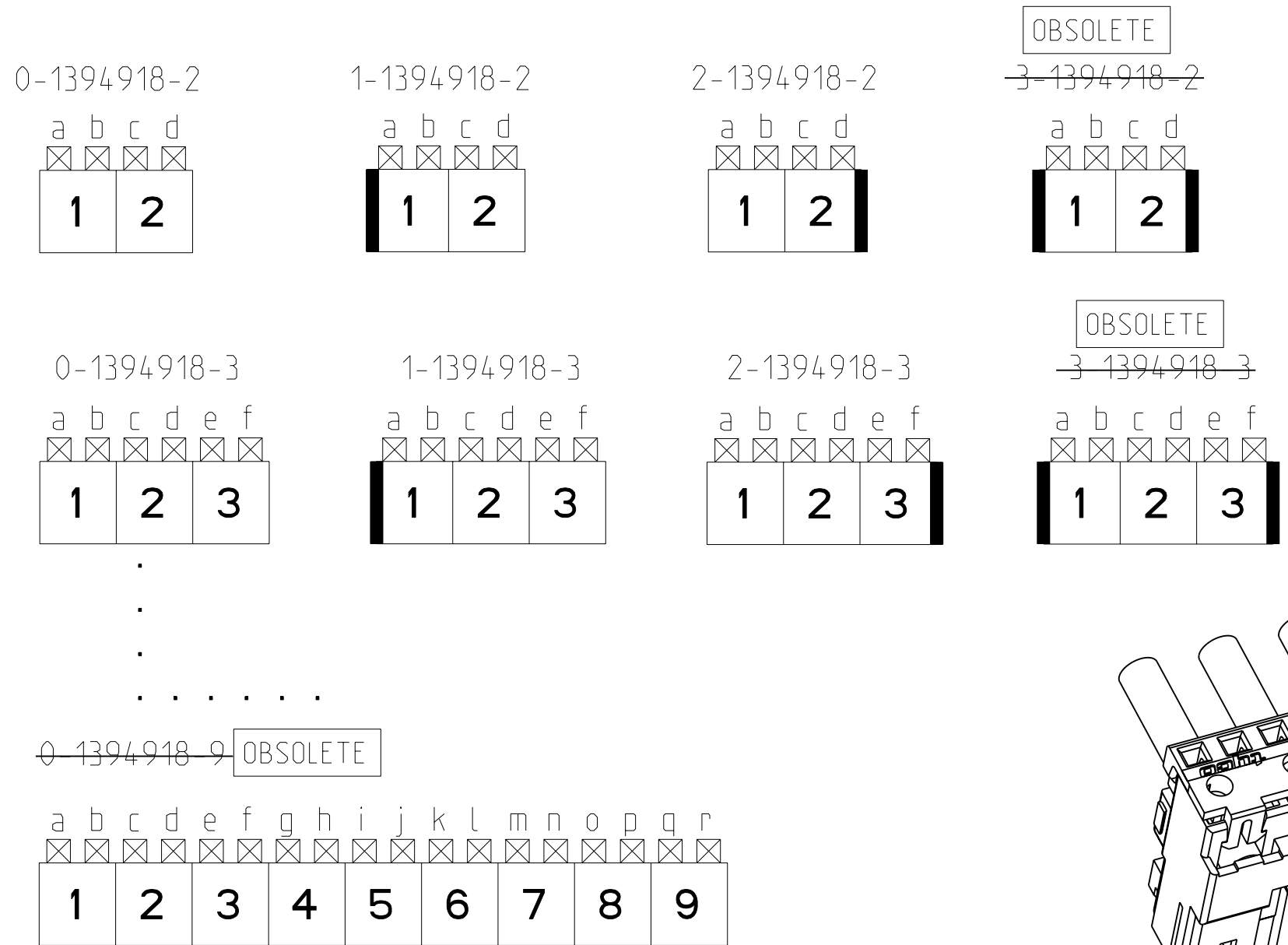


LOC	DIST	REV	DATE	BY	CHK	APPV
A1	-	F	20 JUN 2010	C.J.	P.K.	
		F1	04 JUN 2011	KK	HMR	

PCB LAYOUT KEYED / CONNECTED ONLY WITH ADDITIONAL FRAME
 Leiterplattenanschluss kodiert / nur in Verbindung mit zusätzlichem Rahmen



KEYING PLAN (VIEW Z)
 Kodierschema (Ansicht Z)



- △10 TE LOGO
- △9 INCLUSIVE COPPER CLADDING:
Inclusive Kupferkaschierung:
- △8 PCB PREFERABLY CHAMFERED.
Leiterplatte vorzugsweise angefast.
- △7 SLOT FOR SIDE KEYING, △4, △5.
Schlitz fuer Seitenkodierung, △4, △5.
- △6 COLOUR MARKING ON TOP OF HOUSING OPTIONAL ON TERMINATION MACHINE
Farbmarkierung auf Gehäuseoberseite optional an Verarbeitungsmaschine
- 5 MATING PART: PCB (WITH FRAMES ACC. RAST 2.5 E.G. PN 964 575/576)
TABHEADER PN 1 534 787/788
Passender Gegenstecker: Leiterplatten (mit Rahmen nach RAST 2.5 z.B. 964 575/576)
Tabwannen Nr. 1 534 787/788
- △4 SIDE KEYING, ON LAST CAVITY
Seitenkodierung, an letzter Kammer
- △3 SIDE KEYING, ON CAVITY 1
Seitenkodierung, an Kammer 1
- 2 WIRE RANGE: 0.35-0.5 mm²
Drahtgrößenbereich: 0.35-0.5 mm²
- △1 KEYING RIBS; CUTTING WITH TERMINATION MACHINE POSSIBLE
Kodierrippe; Schneiden auf der Verarbeitungsmaschine moeglich

OBSOLETE	POS. Polzahl	DIM A	DIM B	KEYING	KEYING	PN Bestell-Nr.
OBSOLETE	9	40	44.9	-	-	0-1394918-9
OBSOLETE	8	35	39.9	-	-	0-1394918-8
	7	30	34.9	-	-	0-1394918-7
	6	25	29.9	-	-	0-1394918-6
	5	20	24.9	-	-	0-1394918-5
	4	15	19.9	-	-	0-1394918-4
OBSOLETE	3	10	14.9	X	X	3-1394918-3
	3	10	14.9	X	-	2-1394918-3
	3	10	14.9	-	X	1-1394918-3
	3	10	14.9	-	-	0-1394918-3
OBSOLETE	2	5	9.9	X	X	3-1394918-2
	2	5	9.9	X	-	2-1394918-2
	2	5	9.9	-	X	1-1394918-2
	2	5	9.9	-	-	0-1394918-2

POS.	PN Bestell-Nr.	DESCRIPTION Beschreibung	MATERIAL	COLOUR/FINISH Farbe/Oberflaeche
2	SEE TABLE	KONTAKT	CuNiSi	TINNED/verzinkt
1	siehe Tabelle	Federleistengehaeuse	PA 6.6 UL94 V-0	GREY/Grau

THIS DRAWING IS A CONTROLLED DOCUMENT.

DIMENSIONS: mm

TOLERANCES UNLESS OTHERWISE SPECIFIED:

9 PLC	±0.2
1 PLC	±0.2
2 PLC	±0.2
3 PLC	±0.2
4 PLC	±0.2
ANGLES	±0.1

MATERIAL: -

FINISH: -

Customer Draw Ing

SCALE: 5:1

SHEET: 1 OF 1

REV: F1

STE TE Connectivity

NAME: AMP DUOPLUG POWER FEMALE CONNECTOR (STANDARD VERSION)

SIZE: A1

CAGE CODE: 00779

DRAWING NO: C=1394918

RESTRICTED TO: -