



Chipsmall Limited consists of a professional team with an average of over 10 year of expertise in the distribution of electronic components. Based in Hongkong, we have already established firm and mutual-benefit business relationships with customers from,Europe,America and south Asia,supplying obsolete and hard-to-find components to meet their specific needs.

With the principle of "Quality Parts,Customers Priority,Honest Operation,and Considerate Service",our business mainly focus on the distribution of electronic components. Line cards we deal with include Microchip,ALPS,ROHM,Xilinx,Pulse,ON,Everlight and Freescale. Main products comprise IC,Modules,Potentiometer,IC Socket,Relay,Connector.Our parts cover such applications as commercial,industrial, and automotives areas.

We are looking forward to setting up business relationship with you and hope to provide you with the best service and solution. Let us make a better world for our industry!



Contact us

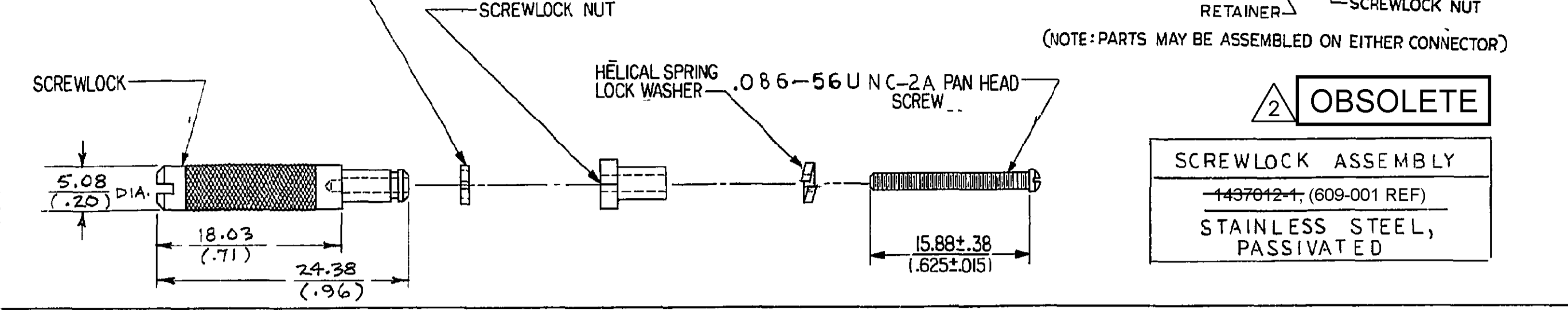
Tel: +86-755-8981 8866 Fax: +86-755-8427 6832

Email & Skype: info@chipsmall.com Web: www.chipsmall.com

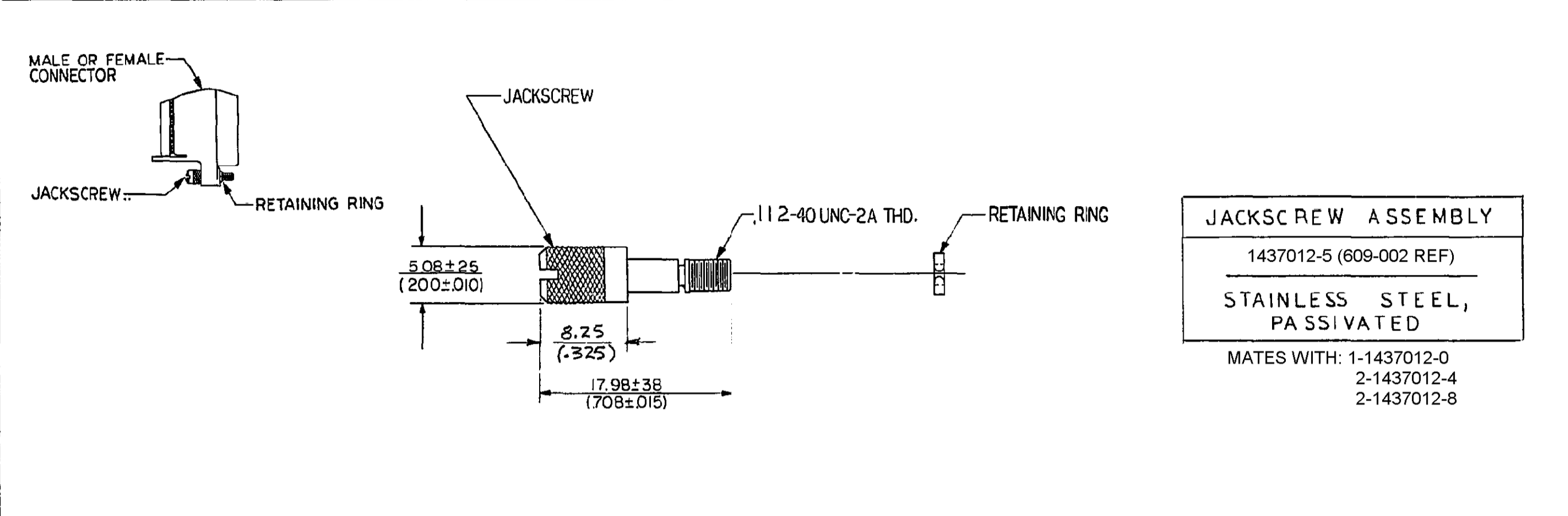
Address: A1208, Overseas Decoration Building, #122 Zhenhua RD., Futian, Shenzhen, China



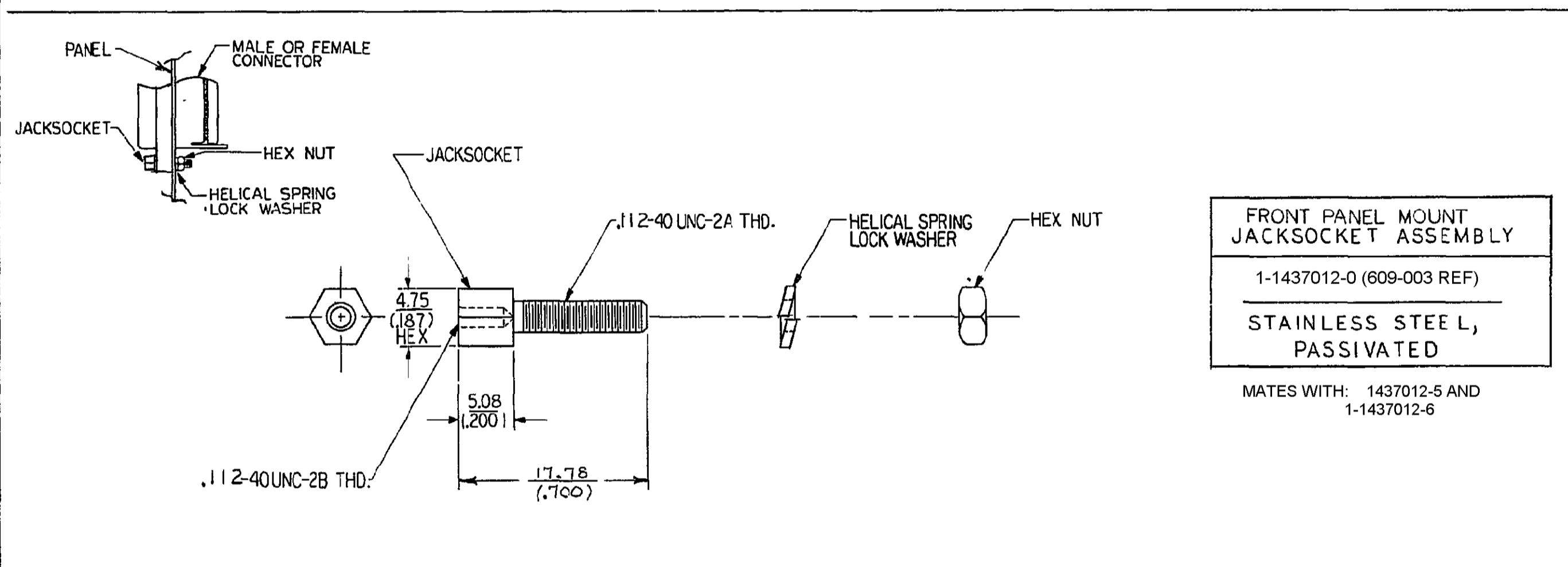
This document involves proprietary design rights of T & B/Amstat Corporation, and all design, manufacturing, reproduction, use and sale rights regarding the same are expressly reserved. It is submitted for a specific purpose and the recipient, by accepting this document, assumes custody and control and agrees to take reasonable precautions to prevent this document from being copied and reproduced in whole or in part, nor its contents revealed in any manner or to any person except to meet the purpose for which it was delivered and (b) that any special features peculiar to this design will not be incorporated in other projects without the expressed permission of T & B/Amstat Corporation.



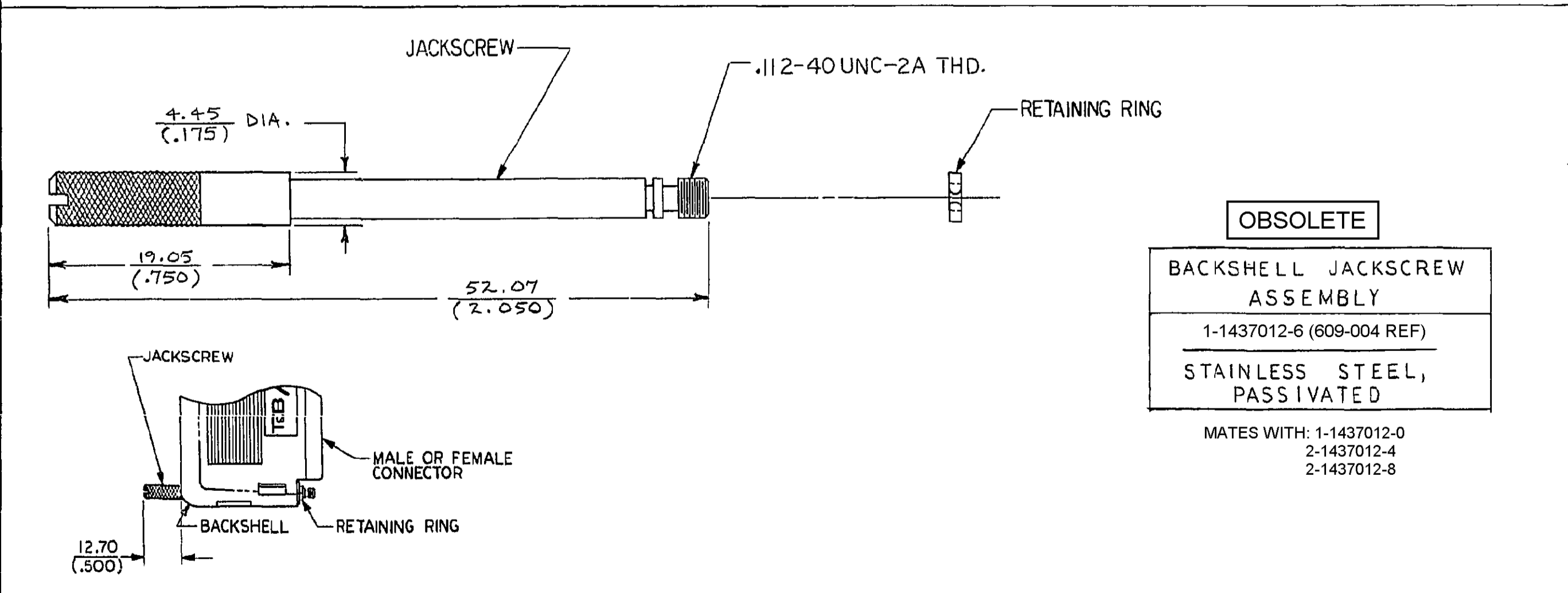
2 OBSOLETE
SCREWLOCK ASSEMBLY
 1-1437012-1 (609-001 REF)
 STAINLESS STEEL, PASSIVATED



JACKSCREW ASSEMBLY
 1437012-5 (609-002 REF)
 STAINLESS STEEL, PASSIVATED
 MATES WITH: 1-1437012-0
 2-1437012-4
 2-1437012-8

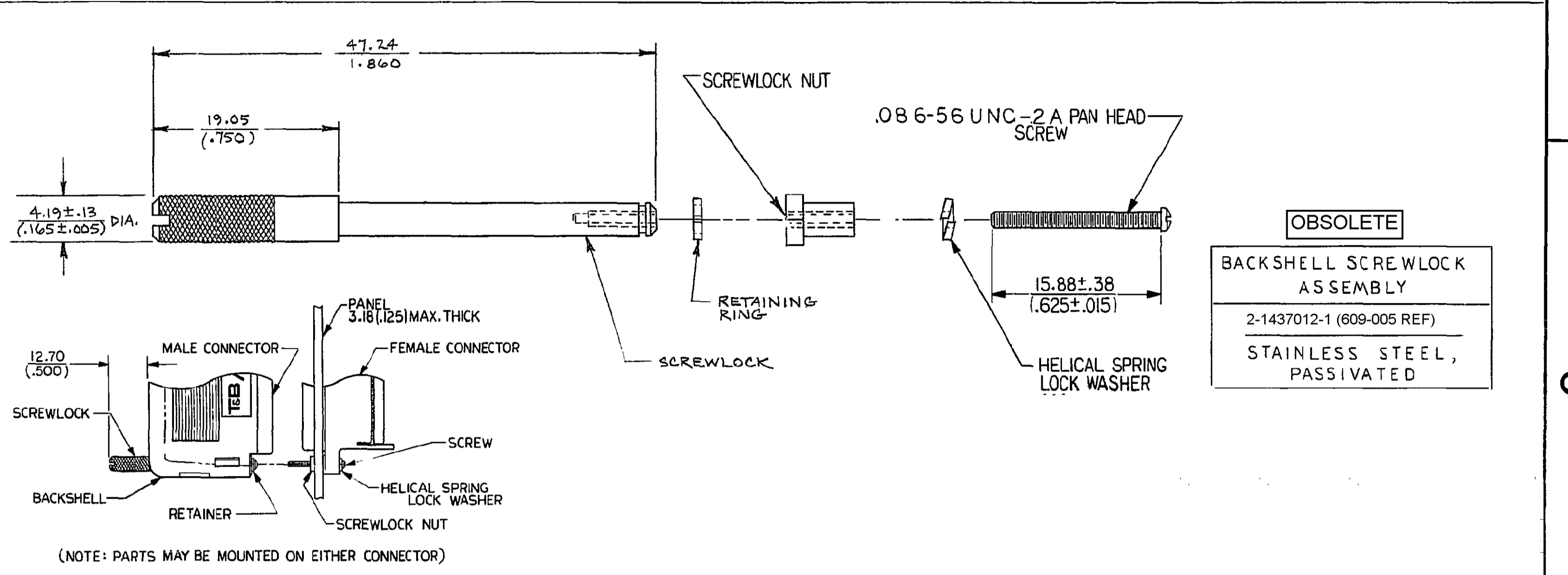


FRONT PANEL MOUNT JACKSOCKET ASSEMBLY
 1-1437012-0 (609-003 REF)
 STAINLESS STEEL, PASSIVATED
 MATES WITH: 1437012-5 AND 1-1437012-6

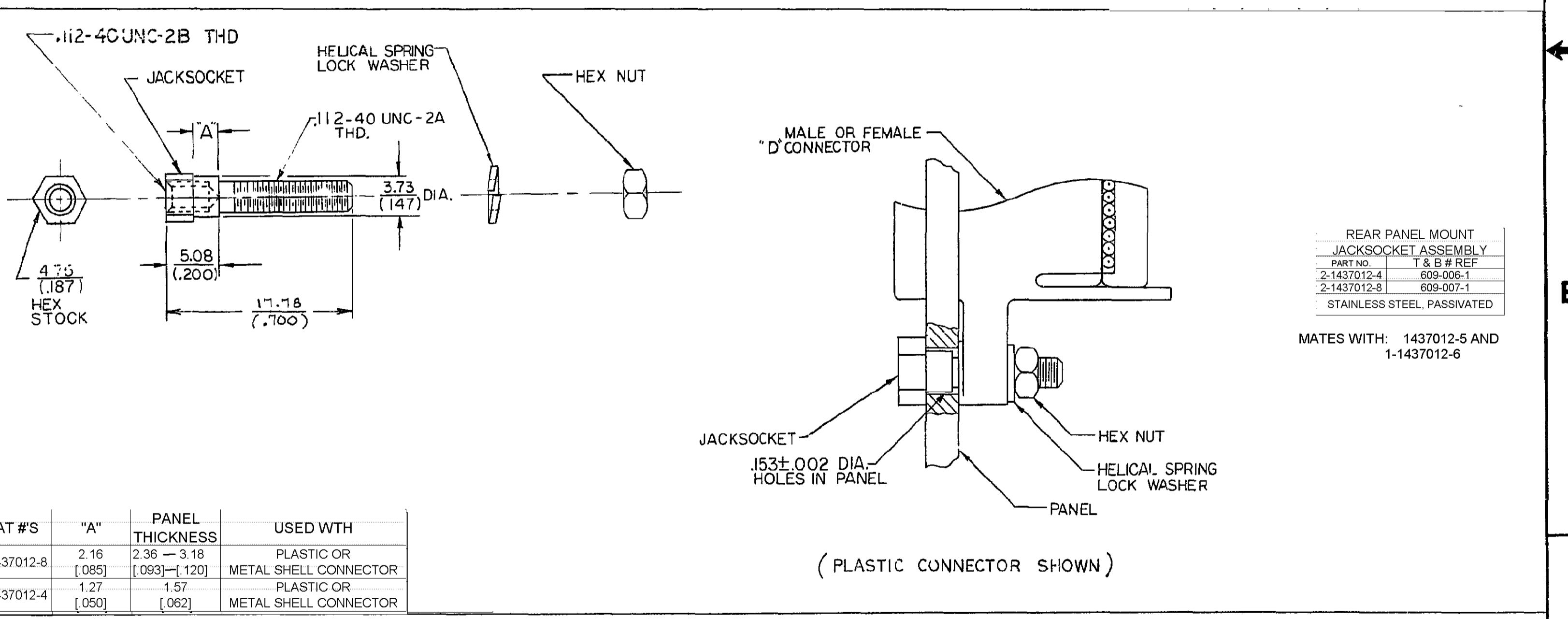


OBSOLETE
BACKSHELL JACKSCREW ASSEMBLY
 1-1437012-6 (609-004 REF)
 STAINLESS STEEL, PASSIVATED
 MATES WITH: 1-1437012-0
 2-1437012-4
 2-1437012-8

1. HARDWARE SHOWN IS COMPATIBLE WITH FORMER T&B BACKSHELLS AND CONNECTORS ONLY.
 2. OBSOLETE PARTS: OBSOLETE CIS STREAMLINING PER D.RENAUD/D.SINISI



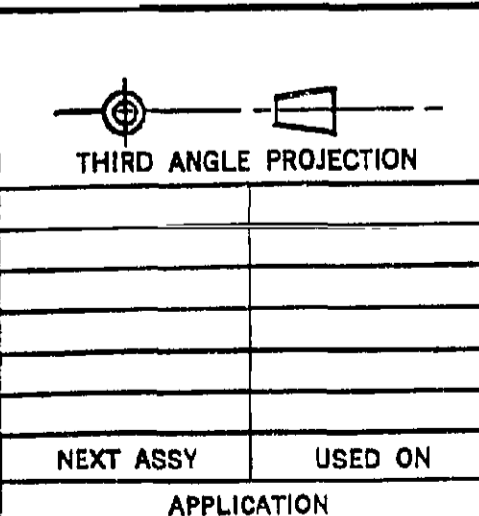
OBSOLETE
BACKSHELL SCREWLOCK ASSEMBLY
 2-1437012-1 (609-005 REF)
 STAINLESS STEEL, PASSIVATED



REAR PANEL MOUNT JACKSOCKET ASSEMBLY
 PART NO. T & B REF
 2-1437012-4 609-006-1
 2-1437012-8 609-007-1
 STAINLESS STEEL, PASSIVATED
 MATES WITH: 1437012-5 AND 1-1437012-6

CAT #S	"A"	PANEL THICKNESS	USED WITH
2-1437012-8	2.16 [.085]	2.36 - 3.18 [.093] - [1.20]	PLASTIC OR METAL SHELL CONNECTOR
2-1437012-4	1.27 [.050]	1.57 [.062]	PLASTIC OR METAL SHELL CONNECTOR

P	REVISED PER ECO-11-004835	21MAR11	RK	HMR
REV	REVISION RECORD	DATE	DWN	APVD



UNLESS OTHERWISE SPECIFIED, DIMENSIONS ARE IN M.MS.(INCHES)
 TOLERANCES —
 FRACTIONS =
 ANGLES =
 DECIMALS .XX (.XXX) ±
 X (.XX) ±

FIND NO.	QTY REQD	CODE IDENT	PART NO.	DESCRIPTION	ZONE
LIST OF MATERIALS					
DRAWN					
CHECKED					
APPROVED					
APPROVED					
APPROVED					

STE TE Connectivity

TITLE
D CONNECTOR MOUNTING ACCESSORY HARDWARE

SIZE	CODE IDENT NO.	NUMBER	REV.
D	15912	1437012-1	P

SCALE: N T S Customer Drawing SHEET OF