



Chipsmall Limited consists of a professional team with an average of over 10 year of expertise in the distribution of electronic components. Based in Hongkong, we have already established firm and mutual-benefit business relationships with customers from,Europe,America and south Asia,supplying obsolete and hard-to-find components to meet their specific needs.

With the principle of “Quality Parts,Customers Priority,Honest Operation,and Considerate Service”,our business mainly focus on the distribution of electronic components. Line cards we deal with include Microchip,ALPS,ROHM,Xilinx,Pulse,ON,Everlight and Freescale. Main products comprise IC,Modules,Potentiometer,IC Socket,Relay,Connector.Our parts cover such applications as commercial,industrial, and automotives areas.

We are looking forward to setting up business relationship with you and hope to provide you with the best service and solution. Let us make a better world for our industry!



Contact us

Tel: +86-755-8981 8866 Fax: +86-755-8427 6832

Email & Skype: info@chipsmall.com Web: www.chipsmall.com

Address: A1208, Overseas Decoration Building, #122 Zhenhua RD., Futian, Shenzhen, China



THIS DRAWING IS UNPUBLISHED. RELEASED FOR PUBLICATION
 © COPYRIGHT BY TYCO ELECTRONICS CORPORATION. ALL RIGHTS RESERVED.

LOC	DIST	REVISIONS					
FT	0	P	LTR	DESCRIPTION	DATE	DWN	APVD
			0	RELEASED	8/6/03	SS	CR

NOTES:

MATERIAL:

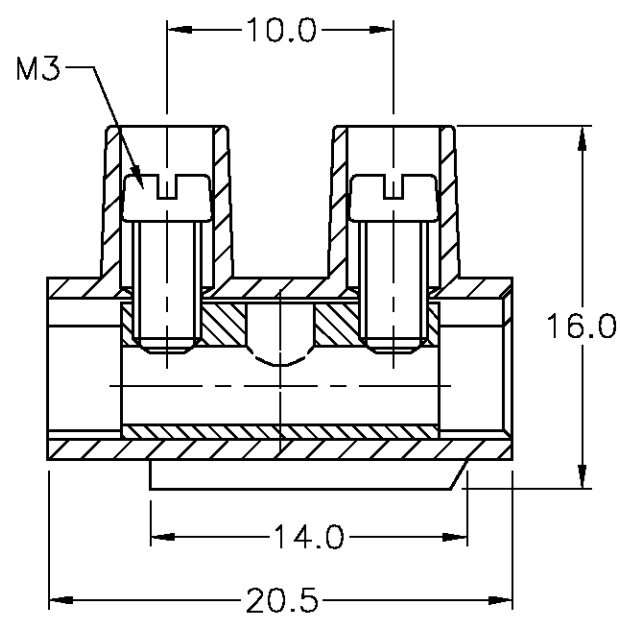
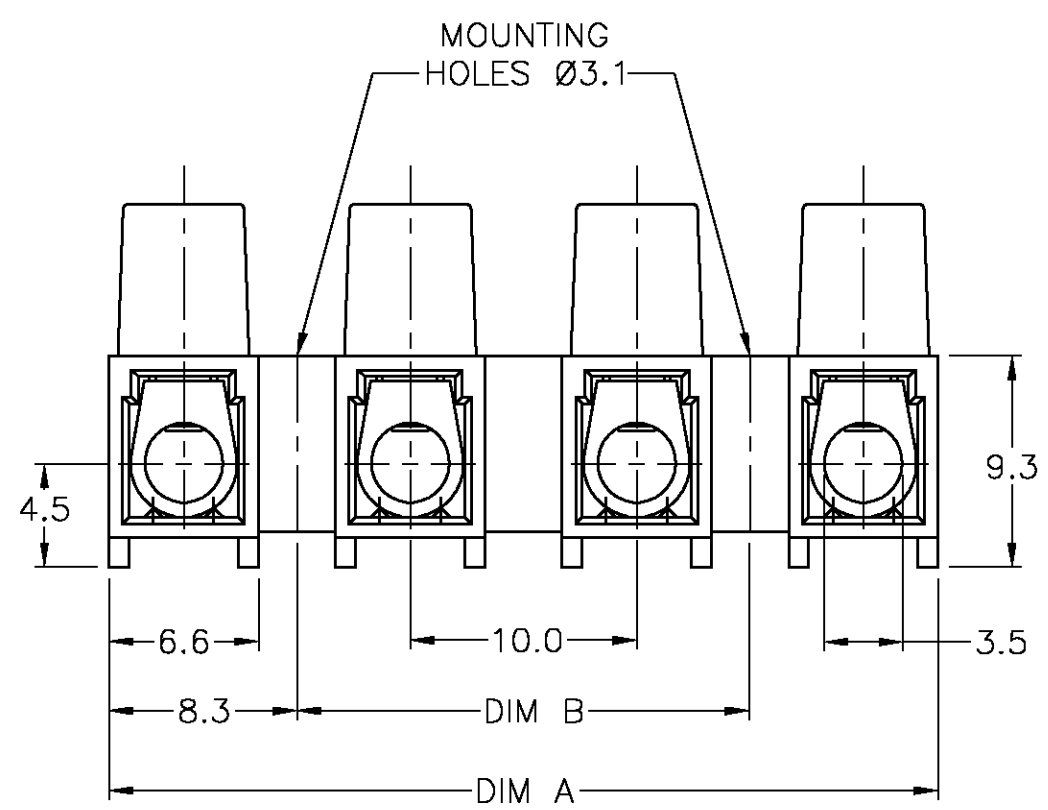
HOUSING: POLYAMIDE 6, UL94V-2, NATURAL (OFF WHITE)
 CONTACT: BRASS, TIN PLATED.
 SCREW: M3, STEEL, ZINC W/ CHROMATE PLATED.

ELECTRICAL:

CURRENT RATING: 30A.
 OPERATING VOLTAGE: 250V.
 WIRE RANGE: 10-22 AWG.
 DIELECTRIC WITHSTAND: 3500V.

ENVIRONMENT:

CONTINUOUS WORKING TEMP.: -35°C TO +100°C



100	116.6	12	TSB500 1231	2-1437388-3
90	106.6	11	TSB500 1131	1546304-1
80	96.6	10	TSB500 1031	2-1437388-1
70	86.6	9	TSB500 0931	1-1437388-9
60	76.6	8	TSB500 0831	1-1437388-7
50	66.6	7	TSB500 0731	-
40	56.6	6	TSB500 0631	1-1437388-4
30	46.6	5	TSB500 0531	-
20	36.6	4	TSB500 0431	1-1437388-0
10	26.6	3	TSB500 0331	1437388-8
-	16.6	2	TSB500 0213	1437388-6
-	6.6	1	TSB500 0131	-
DIM B	DIM A	NO. OF POS.	CATALOG NUMBER	TYCO PART NUMBER

THIS DRAWING IS A CONTROLLED DOCUMENT.

DWN	S SCHLEGEL	8/5/03
CHK	C RICHARD	8/6/03
APVD	C RICHARD	8/6/03

BUCHANAN Tyco Electronics Corporation
 Harrisburg, PA 17105-3608

NAME: EUROPA TERMINAL BLOCK, 10.0mm PITCH, MOUNTING HOLES Ø 3.1

PRODUCT SPEC: -
 APPLICATION SPEC: -

SIZE	CAGE CODE	DRAWING NO	RESTRICTED TO
A3	00779	C-1437388-6	-

CUSTOMER DRAWING SCALE: NTS SHEET: 1 OF 1 REV: 0