



Chipsmall Limited consists of a professional team with an average of over 10 year of expertise in the distribution of electronic components. Based in Hongkong, we have already established firm and mutual-benefit business relationships with customers from,Europe,America and south Asia,supplying obsolete and hard-to-find components to meet their specific needs.

With the principle of “Quality Parts,Customers Priority,Honest Operation,and Considerate Service”,our business mainly focus on the distribution of electronic components. Line cards we deal with include Microchip,ALPS,ROHM,Xilinx,Pulse,ON,Everlight and Freescale. Main products comprise IC,Modules,Potentiometer,IC Socket,Relay,Connector.Our parts cover such applications as commercial,industrial, and automotives areas.

We are looking forward to setting up business relationship with you and hope to provide you with the best service and solution. Let us make a better world for our industry!



Contact us

Tel: +86-755-8981 8866 Fax: +86-755-8427 6832

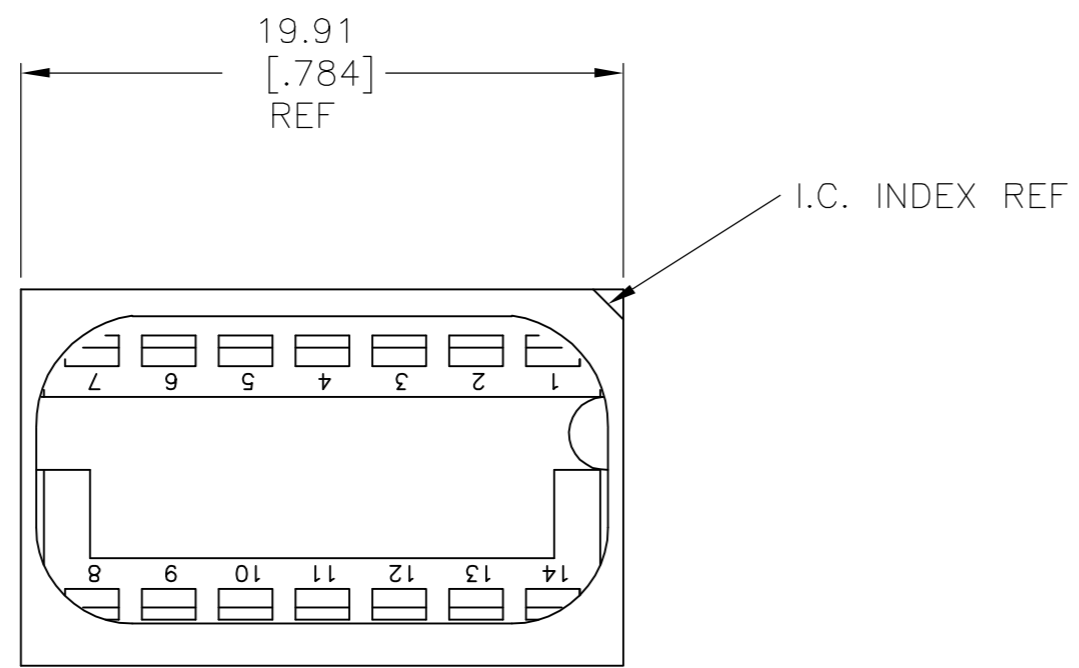
Email & Skype: info@chipsmall.com Web: www.chipsmall.com

Address: A1208, Overseas Decoration Building, #122 Zhenhua RD., Futian, Shenzhen, China

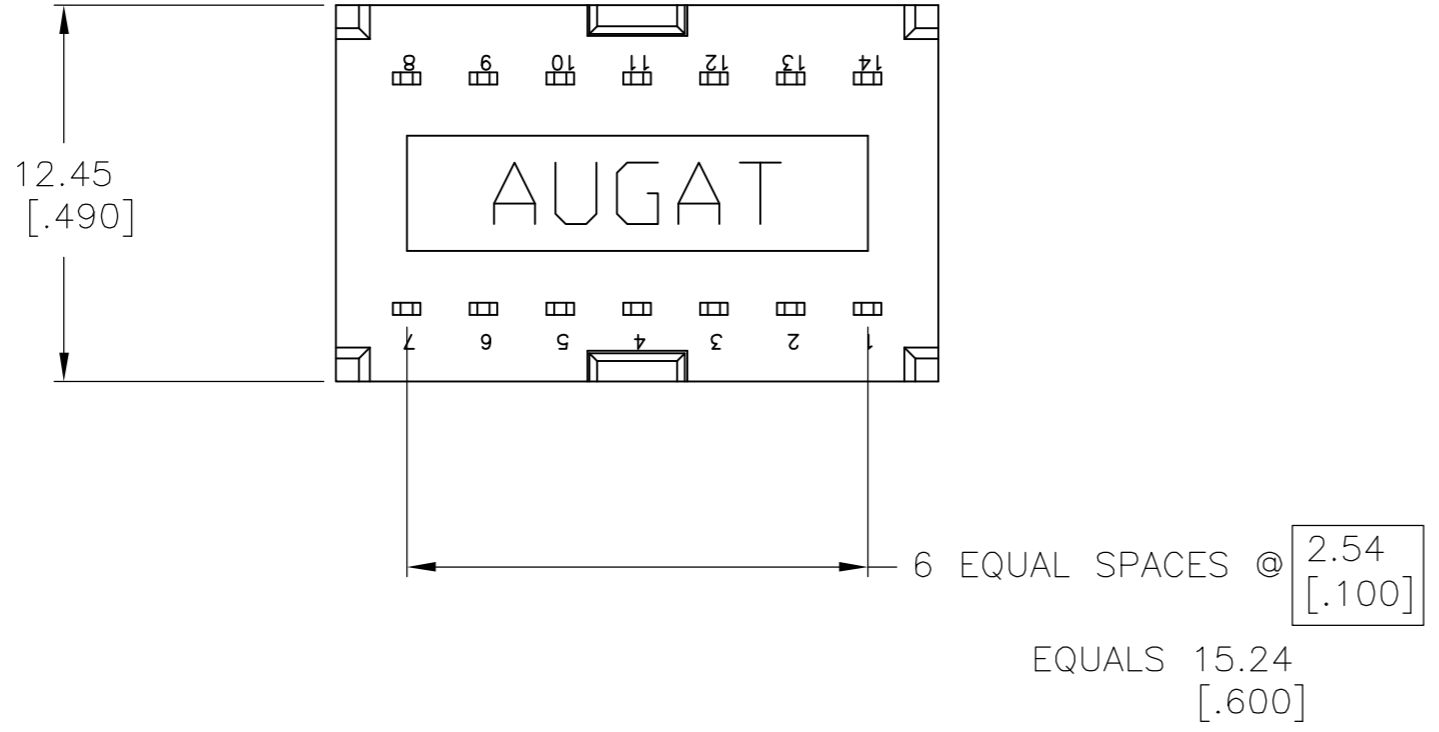
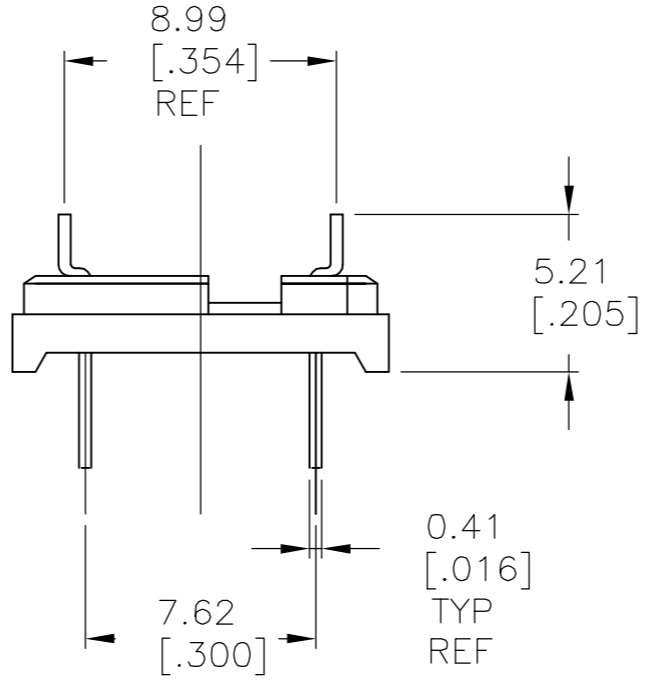
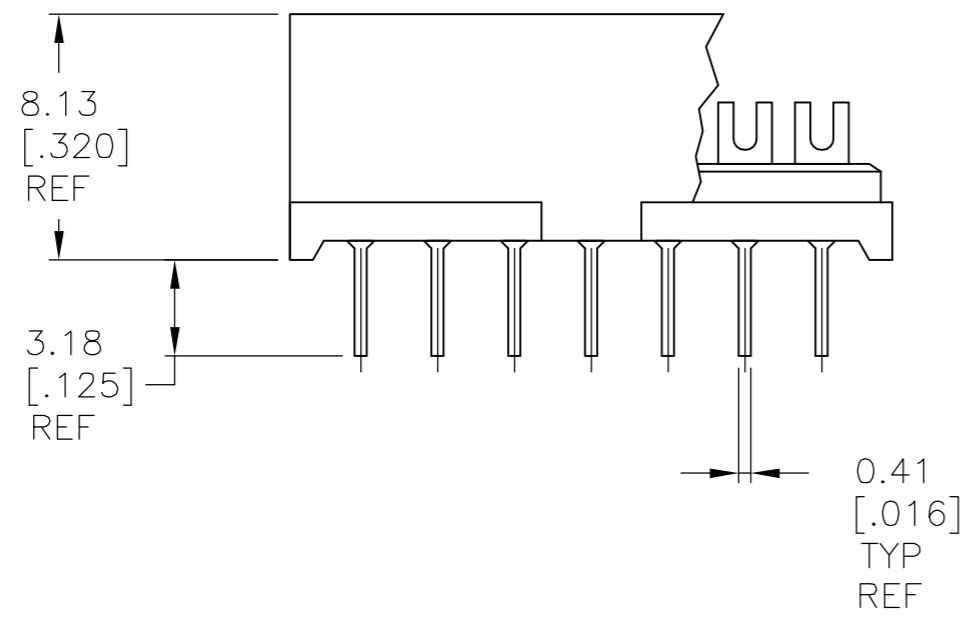


THIS DRAWING IS UNPUBLISHED. RELEASED FOR PUBLICATION
 © COPYRIGHT BY TYCO ELECTRONICS CORPORATION. ALL RIGHTS RESERVED.

LOC	DIST	REVISIONS			
P	LTR	DESCRIPTION	DATE	DWN	APVD
AD	00	A	ECO-06-24636	24OCT06	MM



- 1 INSULATOR - THERMOPLASTIC POLYESTER, UL RATED 94-VO, COLOR-BLACK
COVER - THERMOPLASTIC POLYESTER, UL RATED 94-VO, COLOR-BLACK
- 2 CONTACT: PHOSPHOR BRONZE, GOLD PLATE 0.0005[.00002] MIN THICK
- 3 CONTACT: PHOSPHOR BRONZE, TIN PLATE 0.0005[.00002] MIN THICK
- 4 CONTACT: PHOSPHOR BRONZE, MATTE TIN PLATE 0.0005[.00002] MIN THICK



THIS DRAWING IS A CONTROLLED DOCUMENT.		DWN	M.BIINER	24OCT2006	 Tyco Electronics Corporation Harrisburg, PA 17105-3608
DIMENSIONS: mm [INCHES]		CHK	M.MILLER		
TOLERANCES UNLESS OTHERWISE SPECIFIED:		APVD	M.MILLER		
0 PLC ± - 1 PLC ± - 2 PLC ± 0.13[.005] 3 PLC ± - 4 PLC ± - ANGLES ± 1°		PRODUCT SPEC			
MATERIAL		FINISH		WEIGHT	NAME
1		SEE TABLE		-	ADAPTER PLUG ASSEMBLY
		SIZE	CAGE CODE	DRAWING NO	RESTRICTED TO
		A2	00779	C=2-1437515-5	-
		CUSTOMER DRAWING	SCALE	SHEET	REV
			4:1	1 of 1	A