



Chipsmall Limited consists of a professional team with an average of over 10 year of expertise in the distribution of electronic components. Based in Hongkong, we have already established firm and mutual-benefit business relationships with customers from,Europe,America and south Asia,supplying obsolete and hard-to-find components to meet their specific needs.

With the principle of “Quality Parts,Customers Priority,Honest Operation,and Considerate Service”,our business mainly focus on the distribution of electronic components. Line cards we deal with include Microchip,ALPS,ROHM,Xilinx,Pulse,ON,Everlight and Freescale. Main products comprise IC,Modules,Potentiometer,IC Socket,Relay,Connector.Our parts cover such applications as commercial,industrial, and automotives areas.

We are looking forward to setting up business relationship with you and hope to provide you with the best service and solution. Let us make a better world for our industry!



Contact us

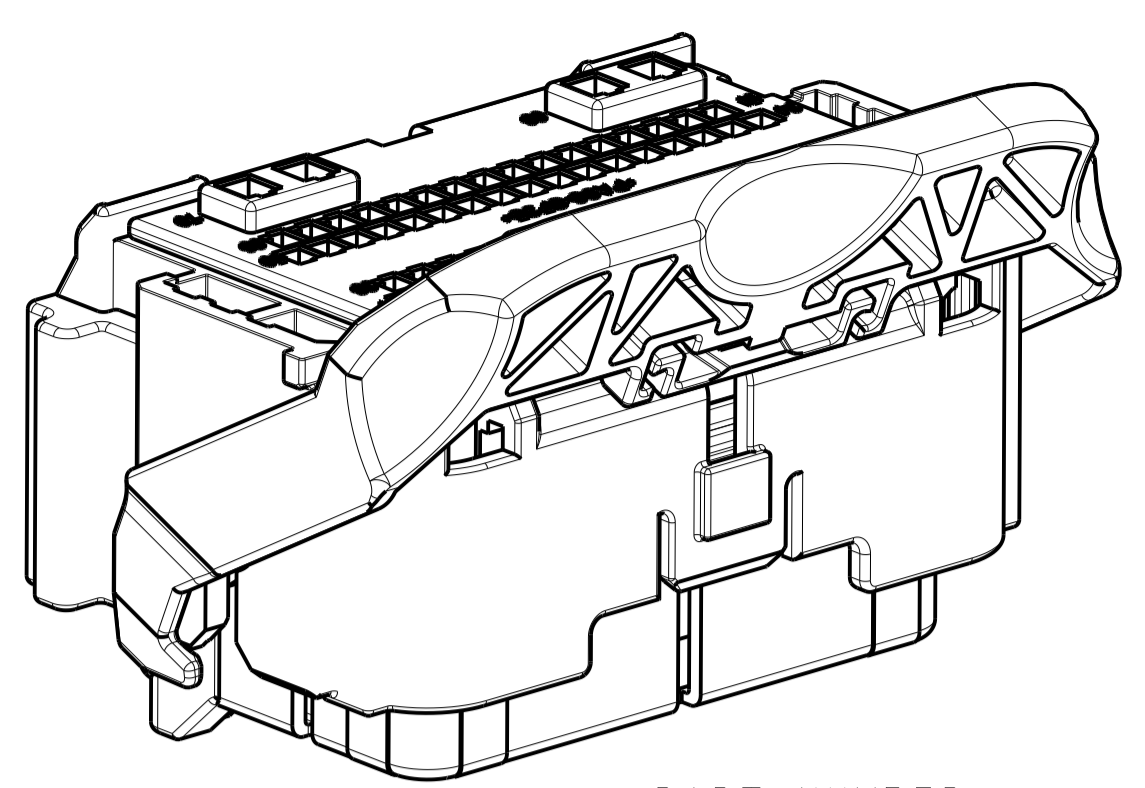
Tel: +86-755-8981 8866 Fax: +86-755-8427 6832

Email & Skype: info@chipsmall.com Web: www.chipsmall.com

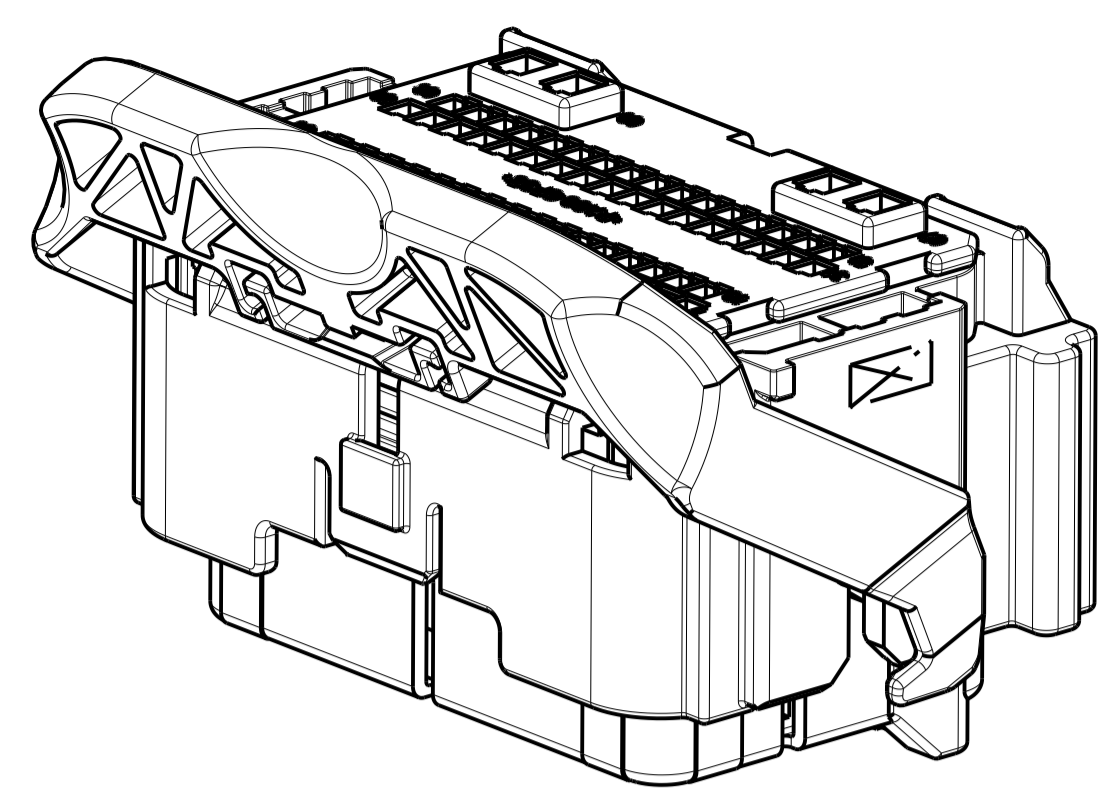
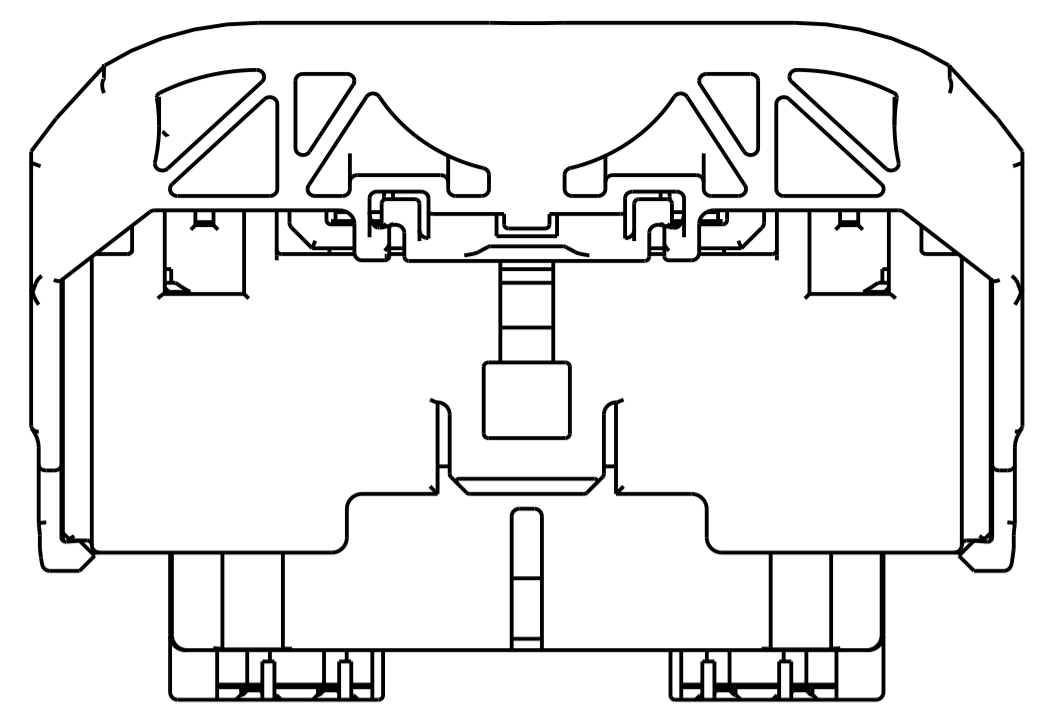
Address: A1208, Overseas Decoration Building, #122 Zhenhua RD., Futian, Shenzhen, China



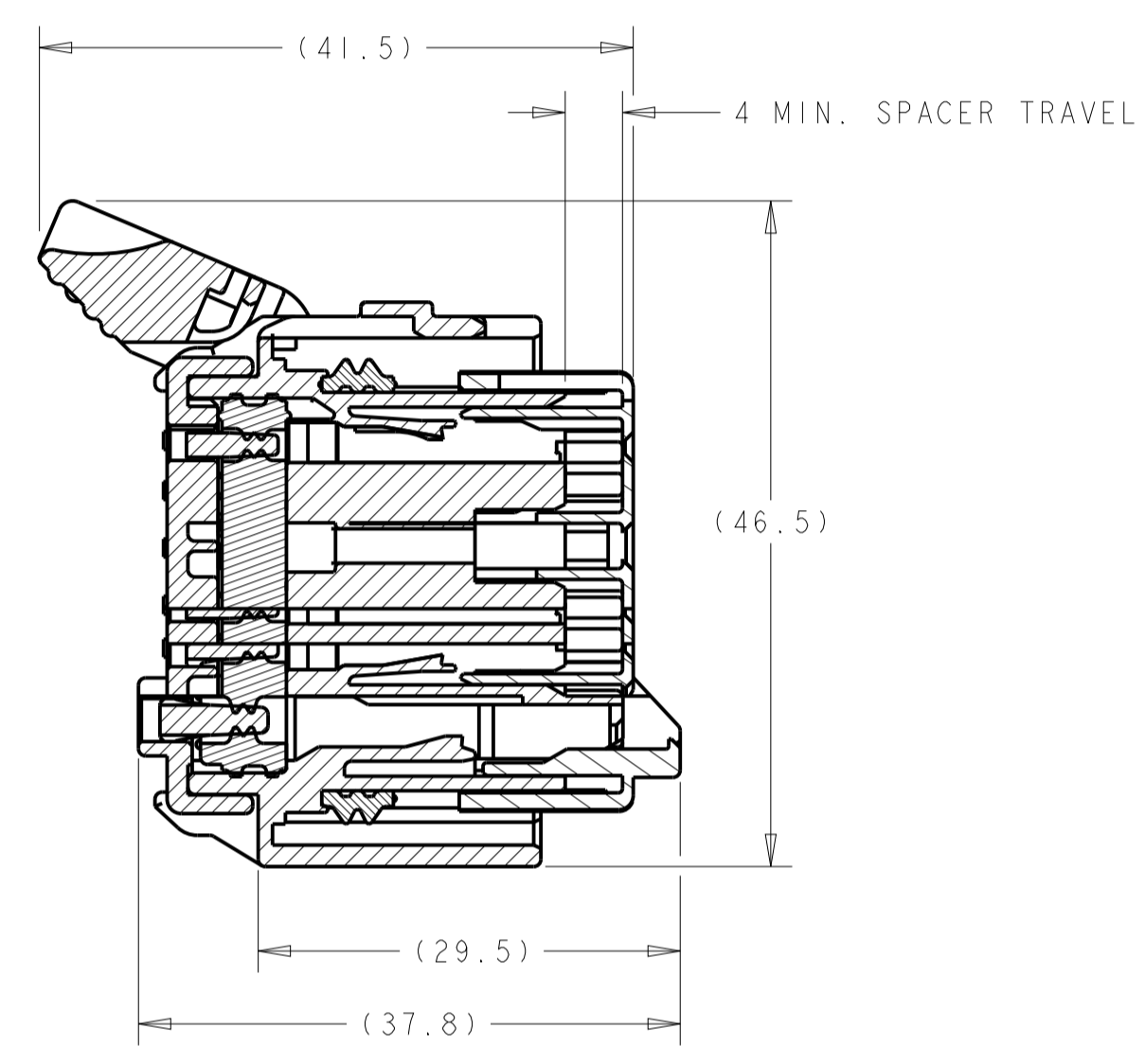
REVISIONS				
P.	LTN.	DESCRIPTION	DATE	APVD.
G45		REVISED PER ECO-13-011449	16JUL2013	DLD DCM
G46		REVISED PER ECO-14-007153	19MAY2014	DLD DCM
G47		REVISED PER ECO-14-014965	09OCT2013	DLD DCM



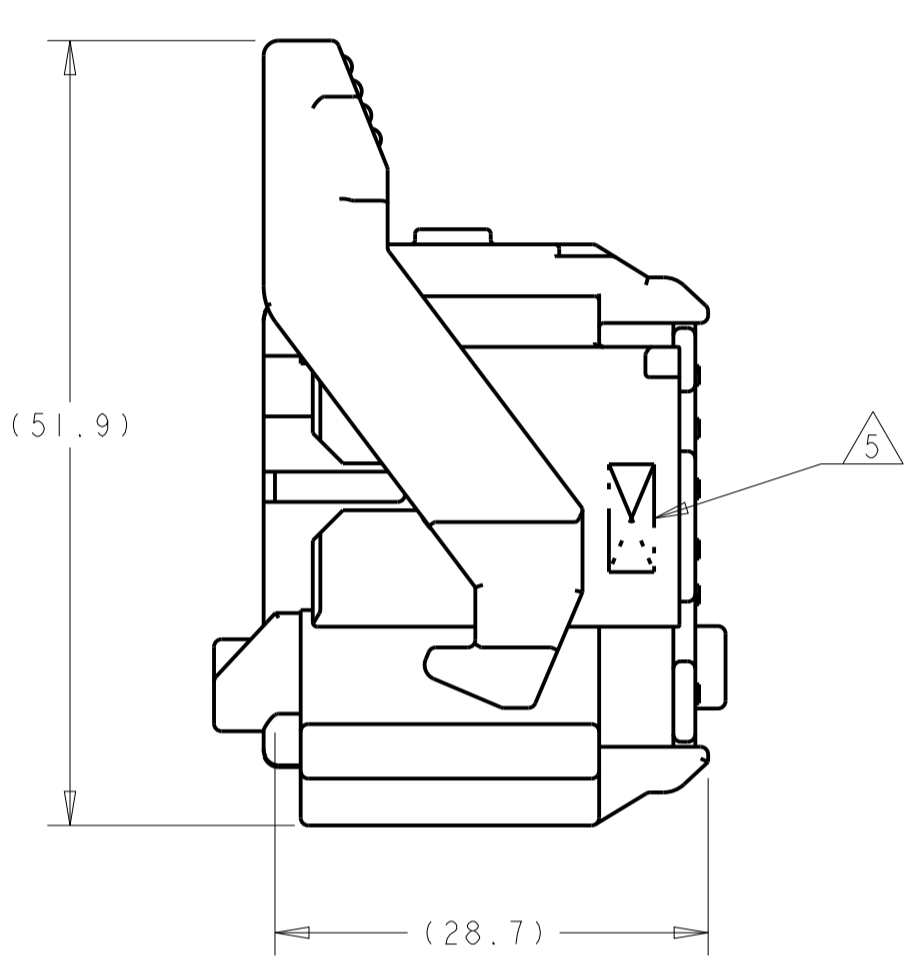
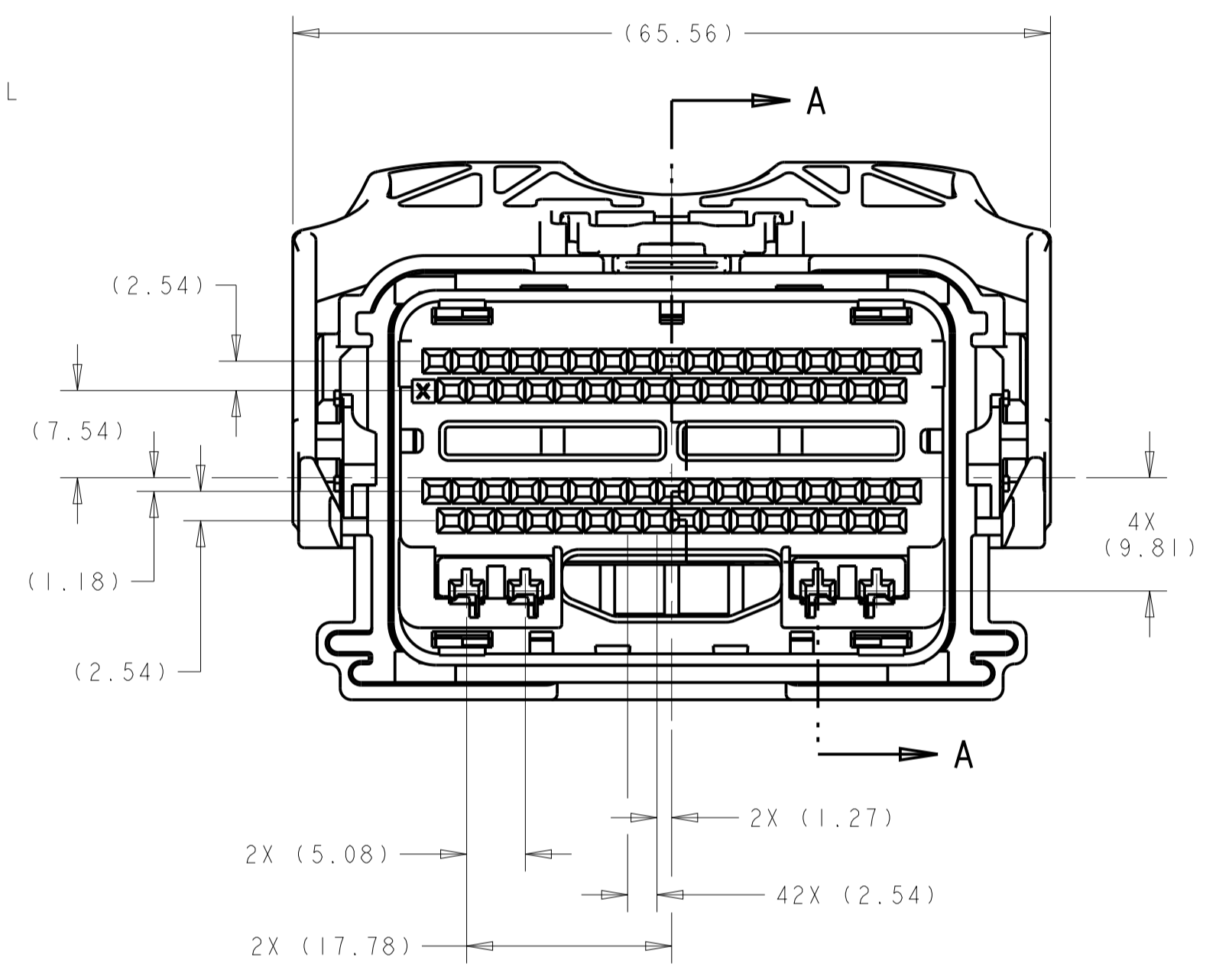
PART NUMBER:
1438136-1
SHOWN WITH SPACER
IN SEATED POSITION



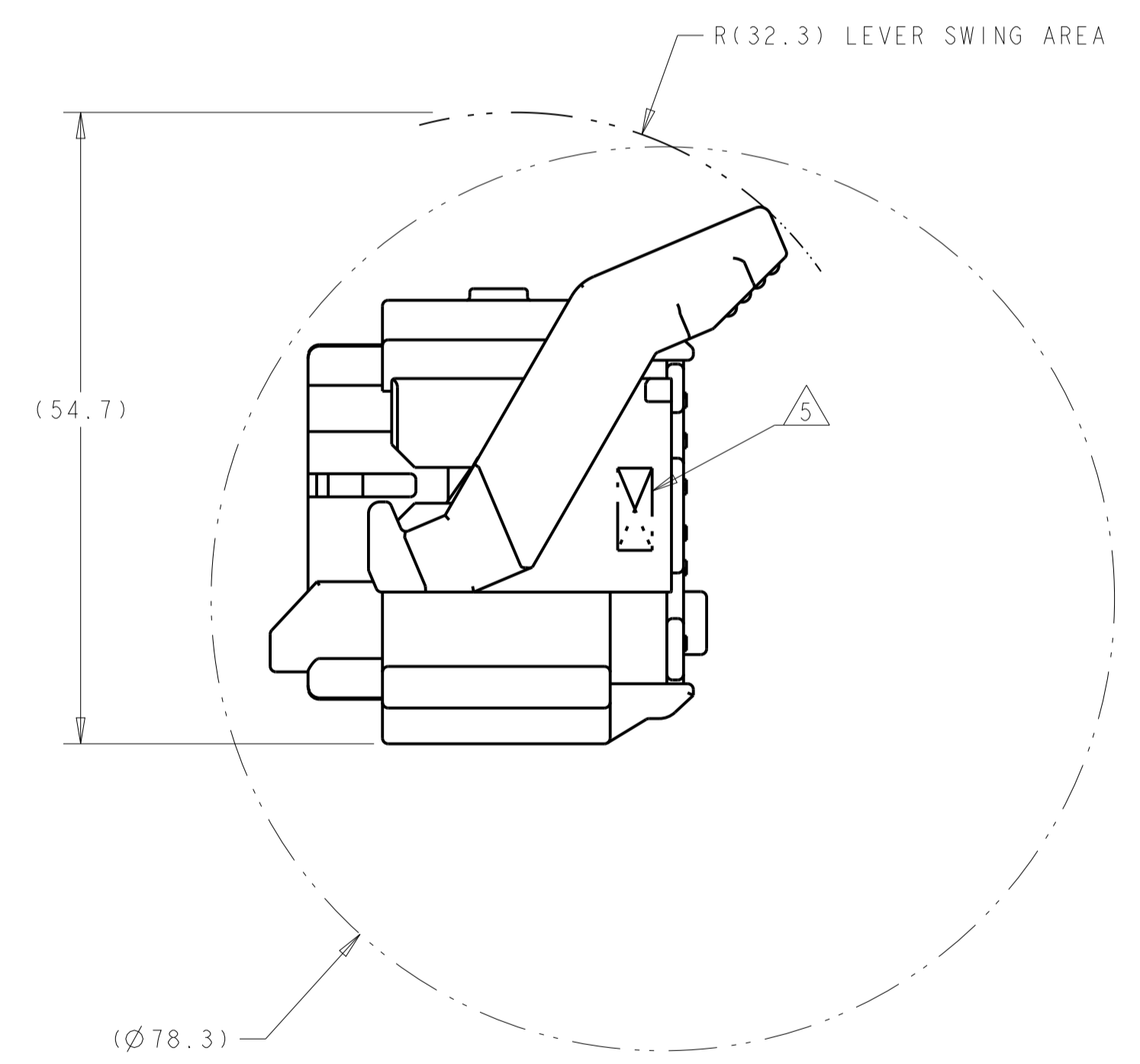
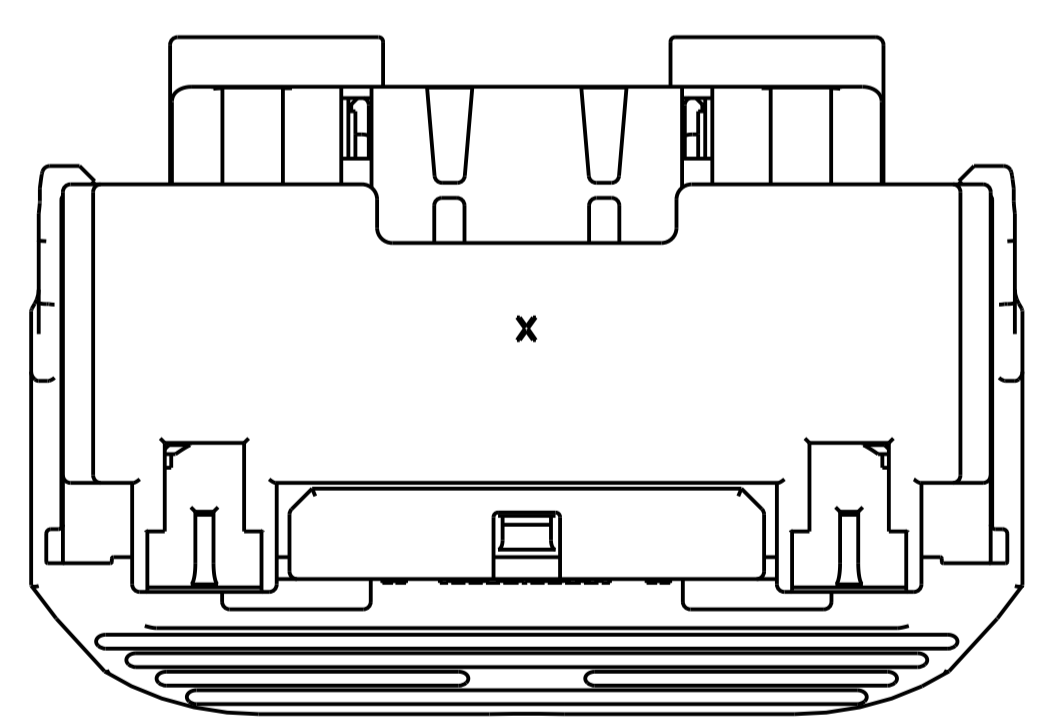
1. PRINT FORD PART NUMBER (SEE ATTACHED CHARTS) AND TRACEABILITY CODE (YY = 2 DIGIT YEAR, JJJ = JULIAN DATE, HH = 2 DIGIT MILITARY HOUR) IN THIS LOCATION AT ASSEMBLY. SEE SHEETS 3, 4 AND 5 (-*) PART NUMBERS.
 2. APPLICABLE MOLEX (1.5) POWER TERMINAL PART NUMBERS:
33012-0002 TIN 0.50-1.50mm²
 3. CAM LEVER AND SPACER ARE SHIPPED IN THEIR PRE-ASSEMBLED POSITIONS.
 4. REFERENCE TE INSTRUCTION SHEET 408-8893.
- △ COMPANY LOGO.



SECTION A-A
SPACER AND LEVER
IN PRE-SEATED POSITION
(DELIVERY POSITION)



SHOWN WITH CAM
LEVER AND SPACER
IN LOADED POSITION



MIN. FEED THRU CONDITION
WITH 1mm CLEARANCE ALL AROUND
SHOWN WITH SPACER IN SEATED POSITION

APPLICABLE COMPONENTS (FOR REFERENCE ONLY)						
DESCRIPTION	NOMINAL TERMINAL SIZE	COLOR/PLATING	FORD COMPONENT PART NUMBER	SUPPLIER PART NUMBER	MATERIAL/SPECIFICATION NUMBER	SAE WIRE SIZE
TERMINAL - FEMALE (Ag)	0.64 (CAT. 0)	SILVER	7S4T-14474-AA	1393366-2	COPPER ALLOY/SILVER PLATE	20AWG 18AWG
TERMINAL - FEMALE (Ag)	0.64 (CAT. 0)	SILVER	7S4T-14474-BA	1393367-2	COPPER ALLOY/SILVER PLATE	22AWG
TERMINAL - FEMALE (Sn)	0.64 (CAT. 0)	TIN	1L2T-14474-AA	1393366-1	COPPER ALLOY/TIN PLATE	20AWG 18AWG
TERMINAL - FEMALE (Sn)	0.64 (CAT. 0)	TIN	1L2T-14474-BA	1393367-1	COPPER ALLOY/TIN PLATE	22AWG
TERMINAL - FEMALE (Au)	0.64 (CAT. 0)	GOLD	1L2T-14474-CA	1393365-1	COPPER ALLOY/GOLD PLATE	20AWG 18AWG
TERMINAL - FEMALE (Au)	0.64 (CAT. 0)	GOLD	1L2T-14474-DA	1393364-1	COPPER ALLOY/GOLD PLATE	22AWG

SEE SHEETS 3 THRU 7
PART NUMBER

THIS DRAWING IS A CONTROLLED DOCUMENT.

OWN: R. VESTAL 15APR2005	CHK: T. VALASEK 15APR2005	APVD: T. VALASEK 15APR2005	NAME: T. VALASEK
DIMENSIONS: mm		TOLERANCES UNLESS OTHERWISE SPECIFIED:	
0 PLC ±0.3		1 PLC ±0.10	
2 PLC ±0.10		3 PLC ±0.10	
4 PLC ±0.10		ANGLES ±1°	
MATERIAL: -	FINISH: -	WEIGHT: -	RESTRICTED TO: -
CUSTOMER DRAWING		SCALE: 2:1	SHEET 1 OF 11

STE TE Connectivity

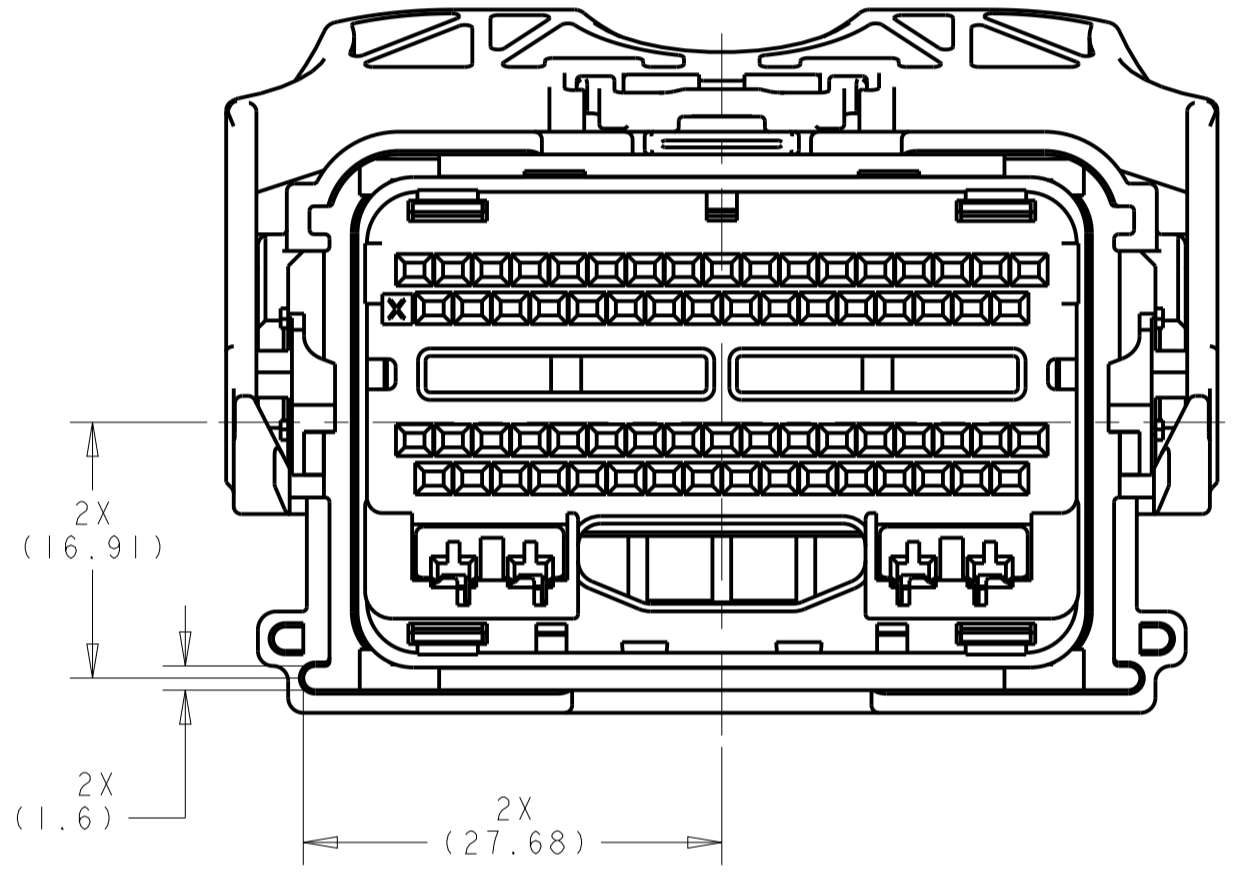
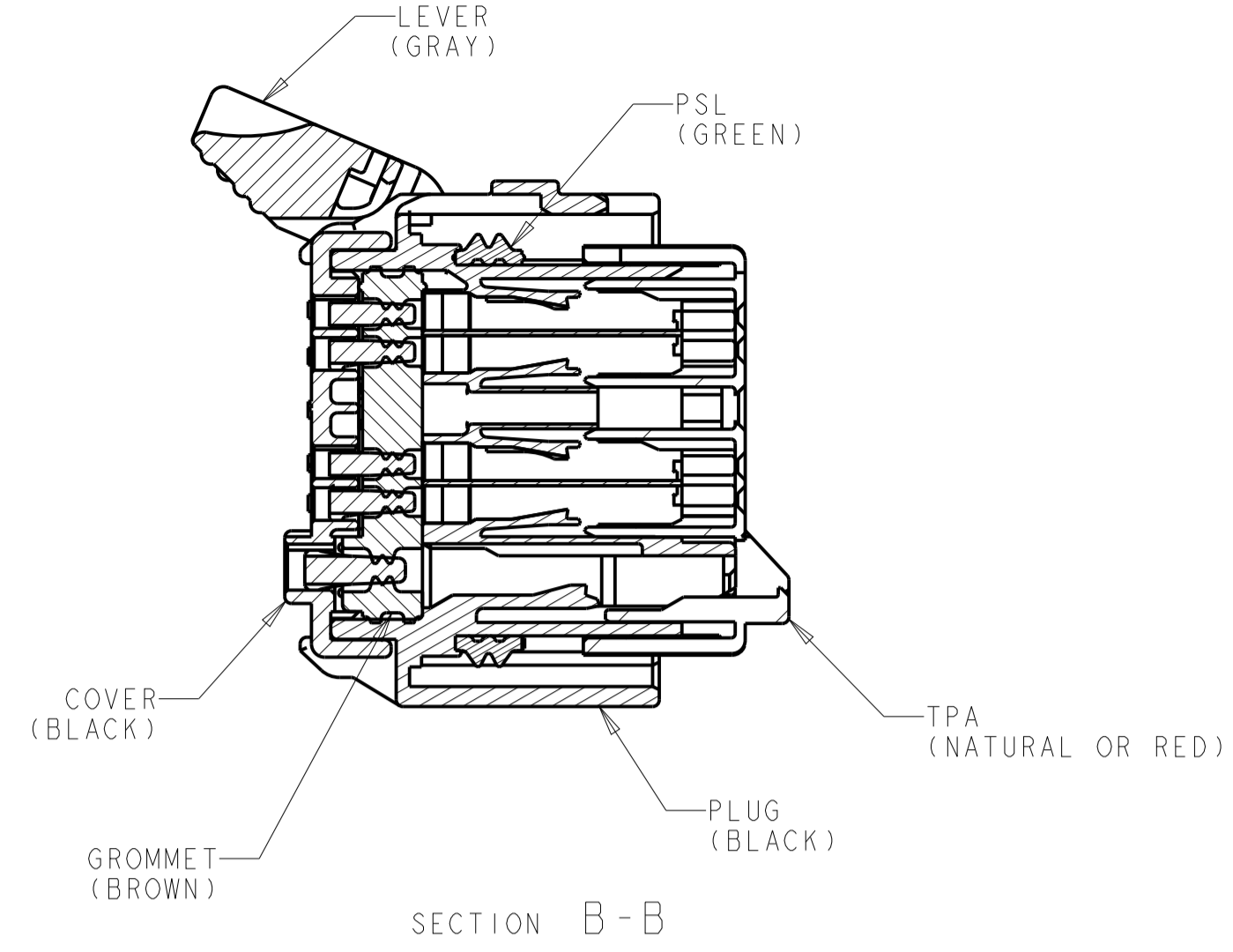
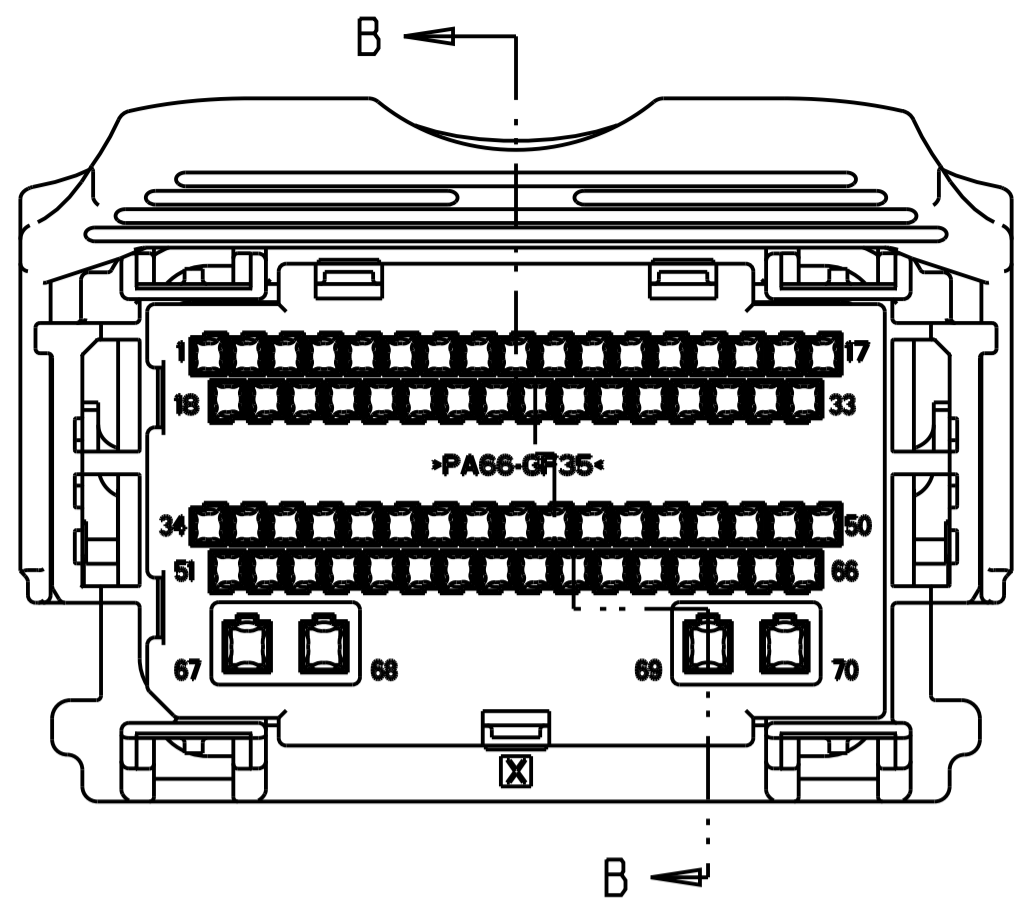
PRODUCT SPEC: 70-WAY HARNESS ASSEMBLY

APPLICATION SPEC: A100779C=1438136

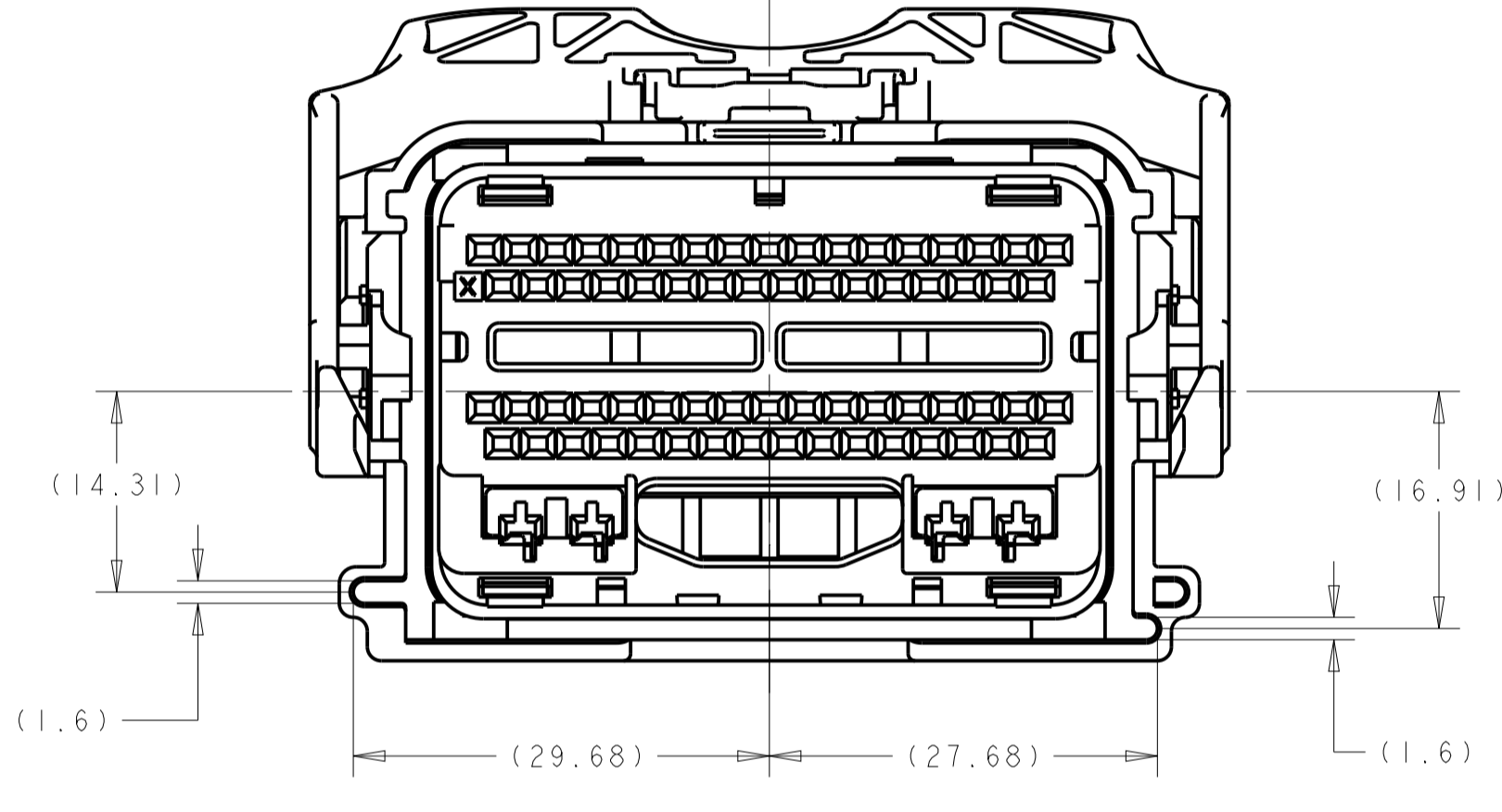
SIZE: CAGE CODE: DRAWING NO: A100779C=1438136

REV: G47

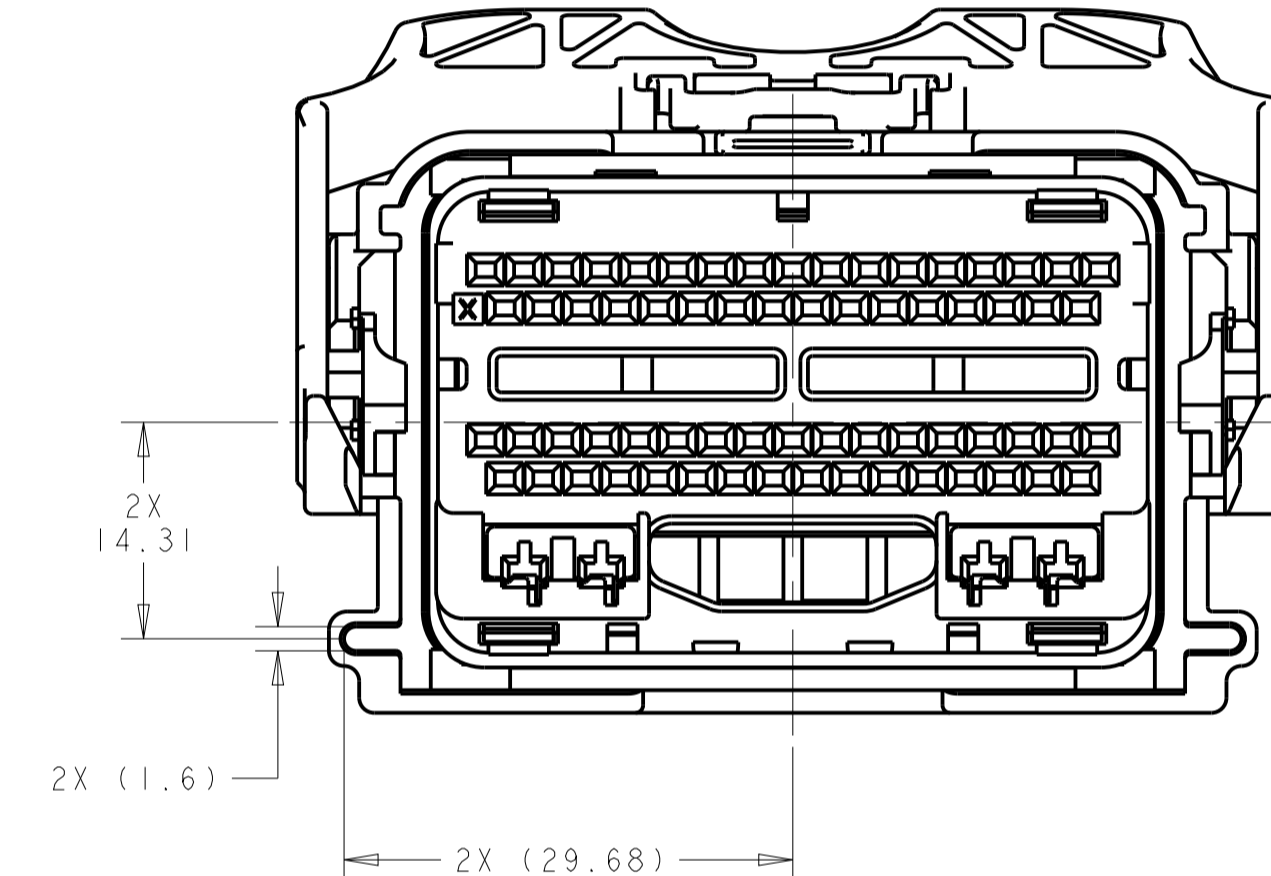
REVISIONS				
P.	LTN	DESCRIPTION	DATE	APP'D
-	-	SEE SHEET 1	-	-



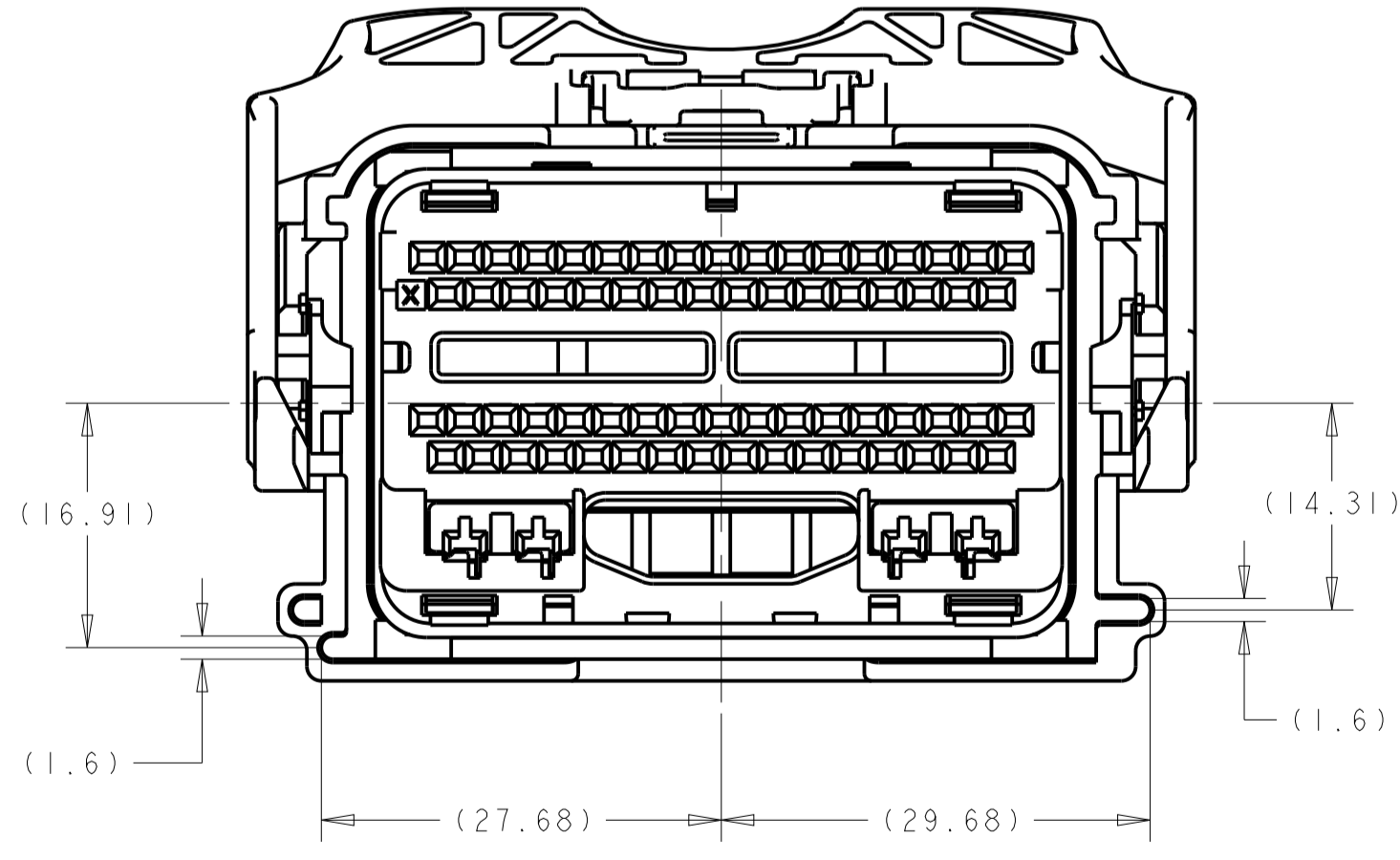
KEYING OPTION "A"



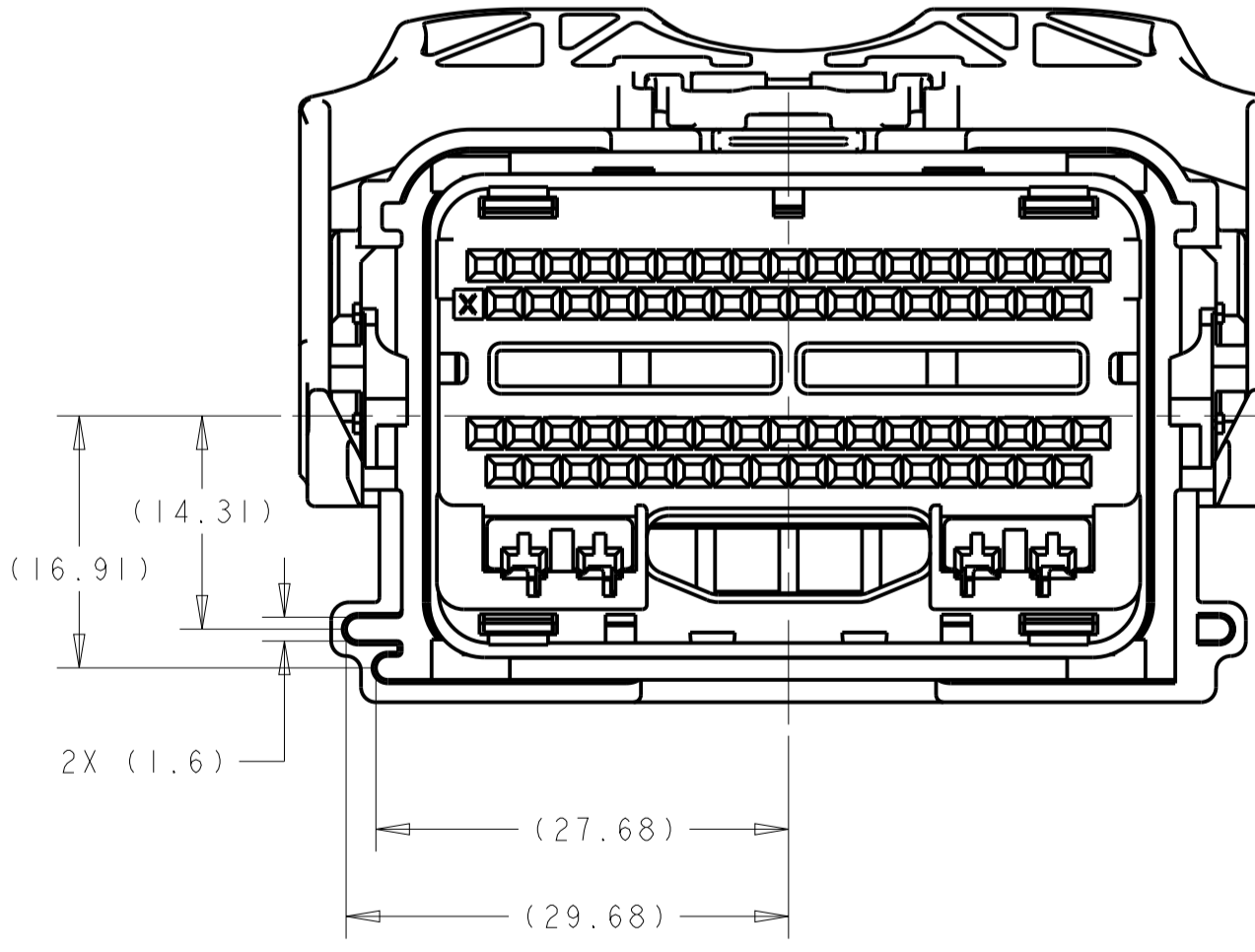
KEYING OPTION "B"



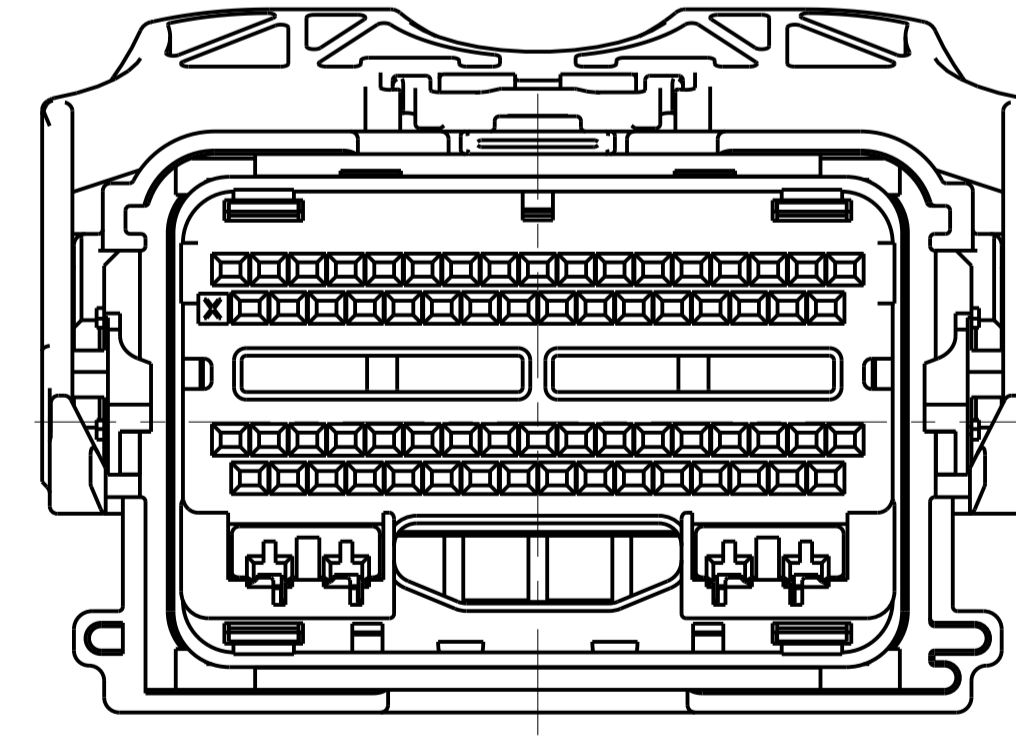
KEYING OPTION "C"



KEYING OPTION "D"



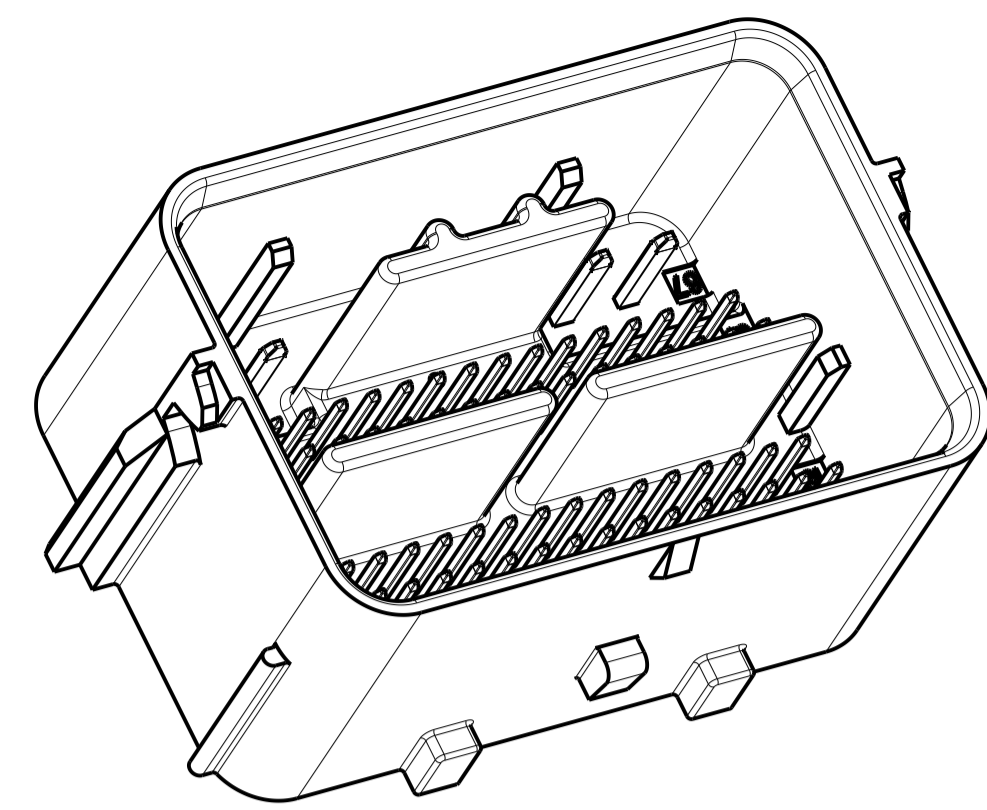
KEYING OPTION "E"



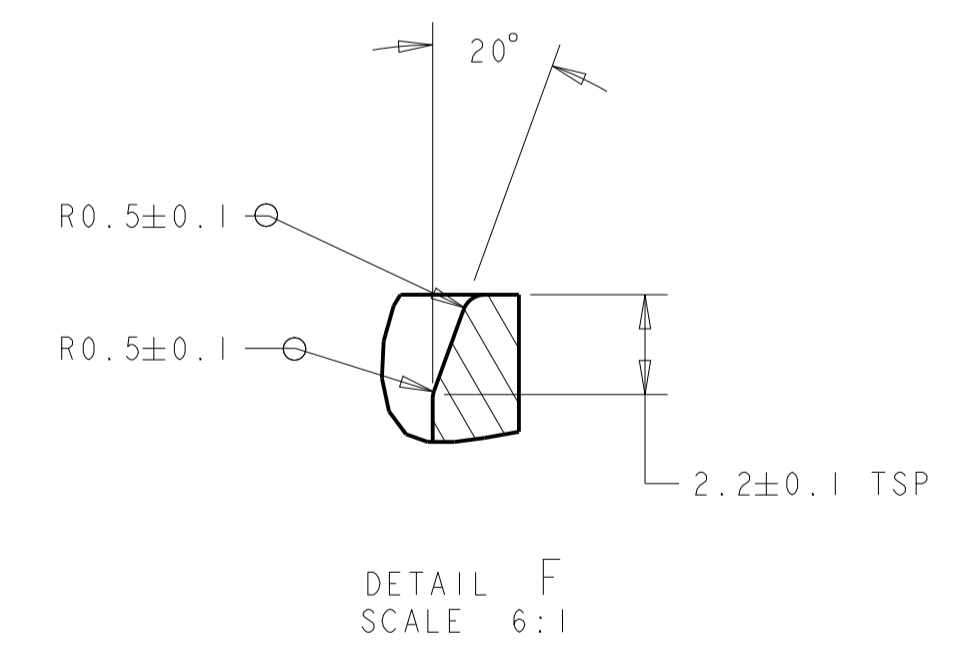
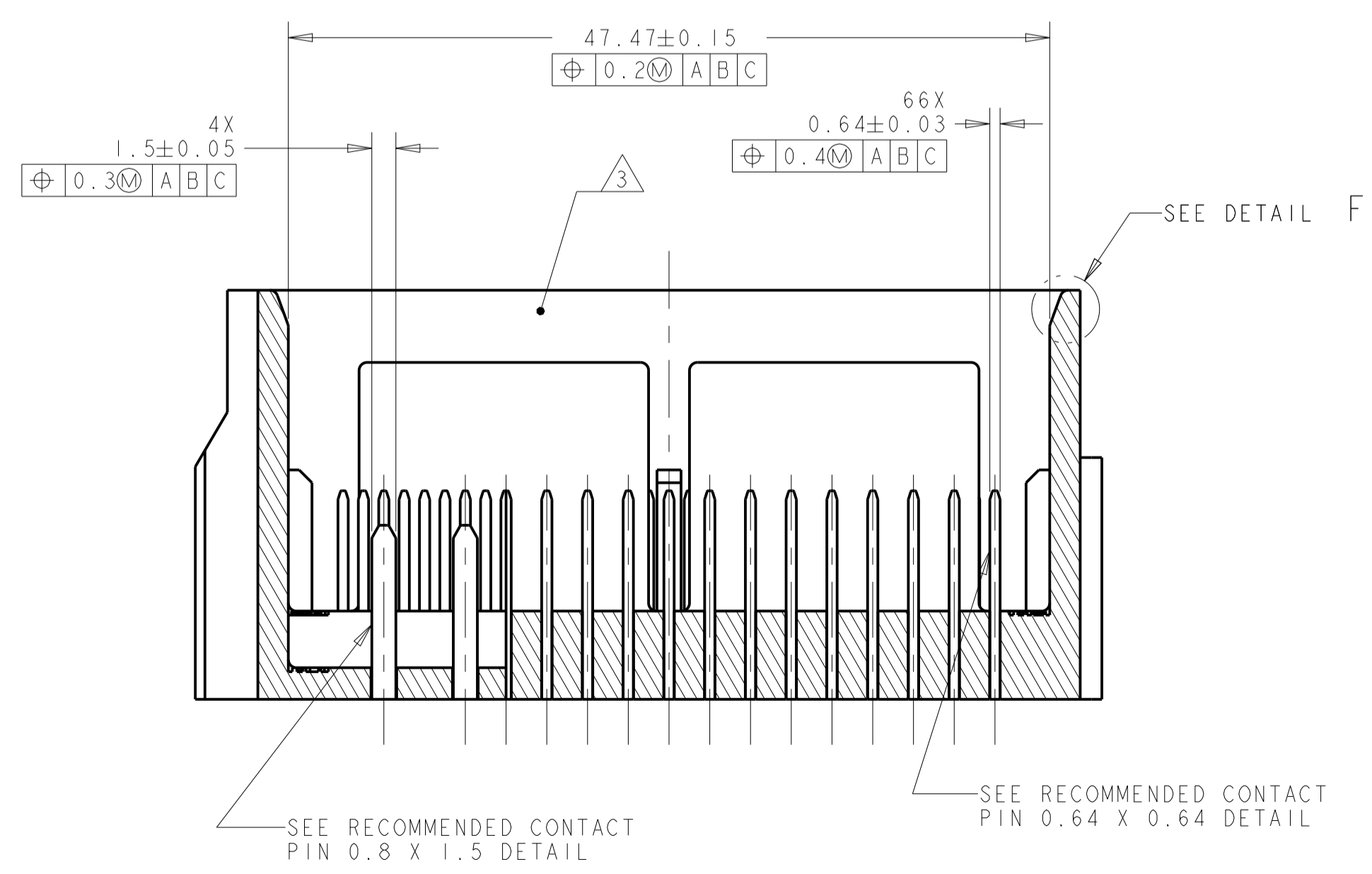
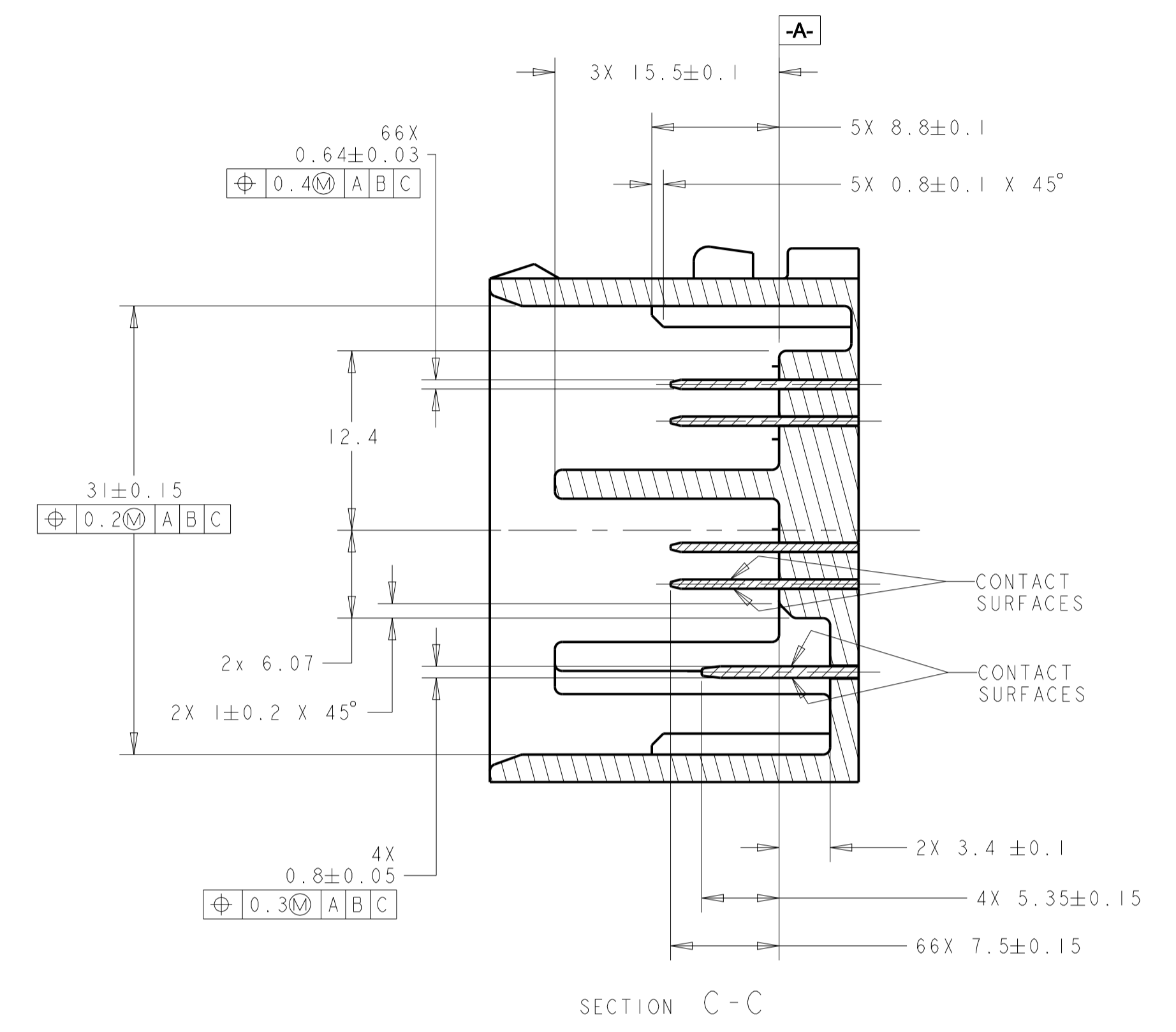
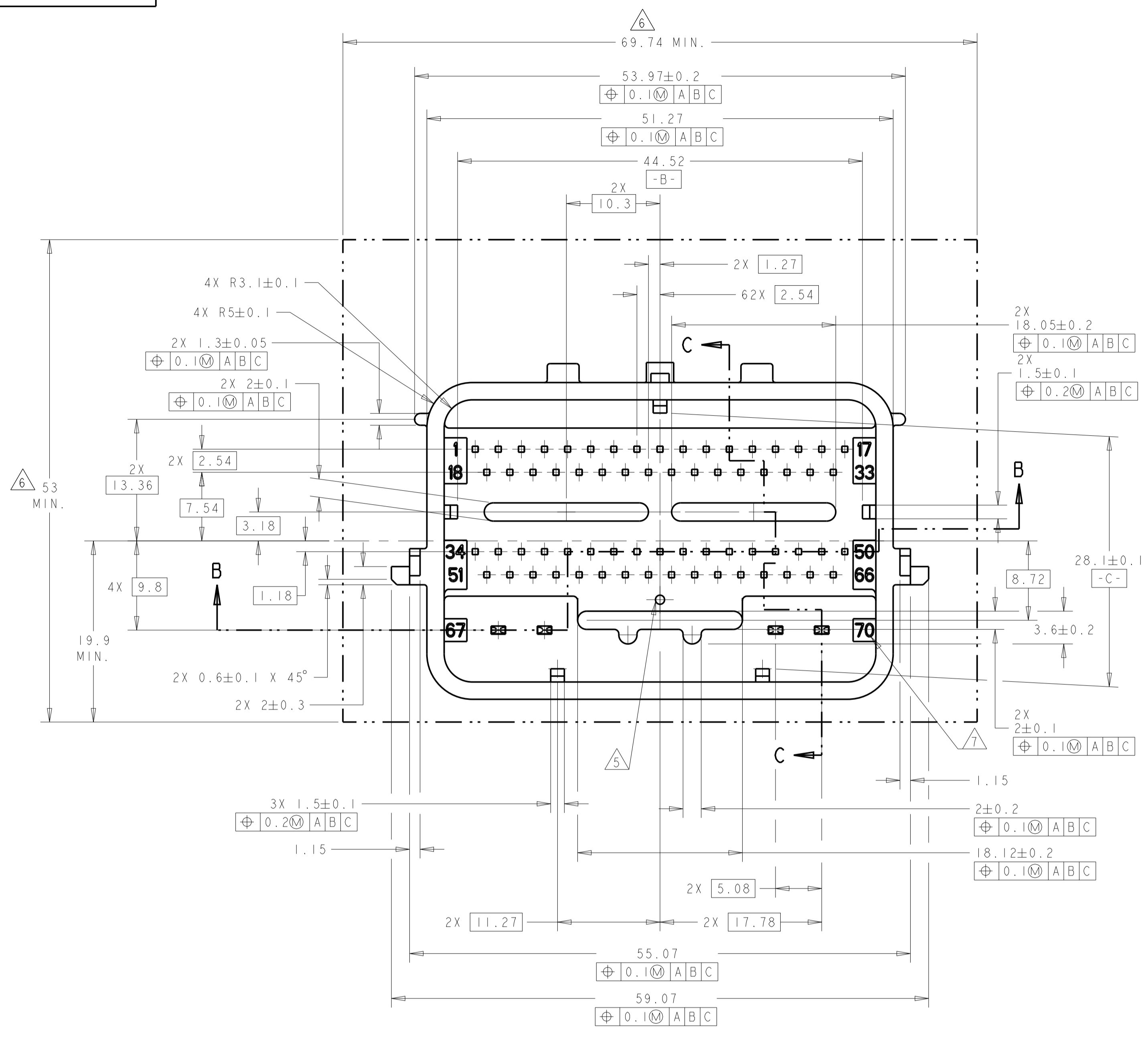
KEYING OPTION "F"

THIS DRAWING IS A CONTROLLED DOCUMENT.		OWN: R. VESTAL 15APR2005	TE Connectivity
DIMENSIONS: mm		CHK: T. VALASEK 15APR2005	
TOLERANCES UNLESS OTHERWISE SPECIFIED:		APVD: T. VALASEK 15APR2005	NAME: 70-WAY HARNESS ASSEMBLY
0 PLC ±	1 PLC ±0.3	PRODUCT SPEC	SIZE: A1
2 PLC ±0.10	3 PLC ±	APPLICATION SPEC	CAGE CODE: 1438136
4 PLC ±	ANGLES ±	WEIGHT	RESTRICTED TO
MATERIAL	FINISH	CUSTOMER DRAWING	SCALE: 2:1 SHEET 2 OF 11 REV: 647

REVISIONS				
REV	DATE	BY	APPV	DESCRIPTION
-	-	-	-	SEE SHEET 1



SCALE 2:1

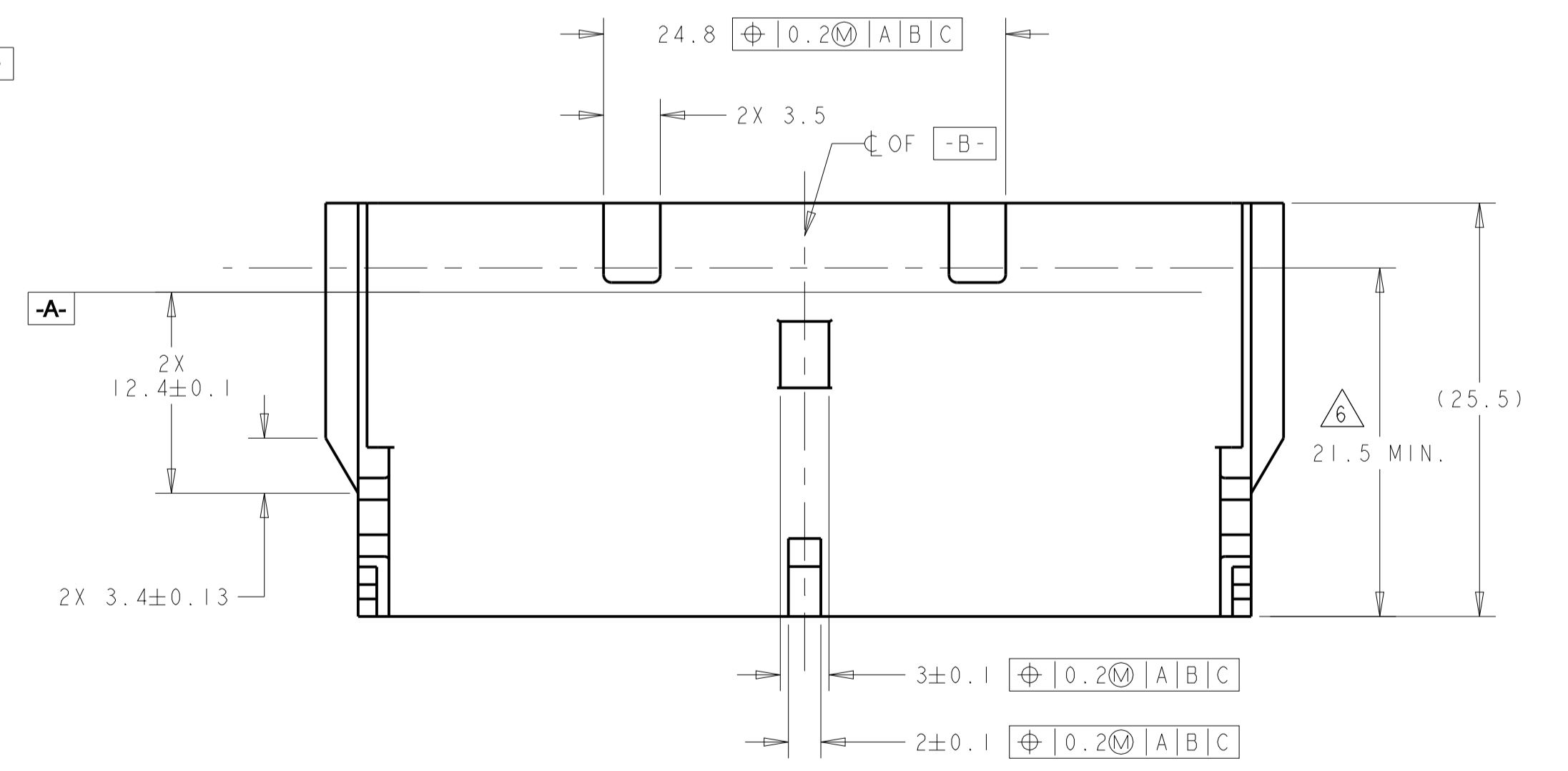
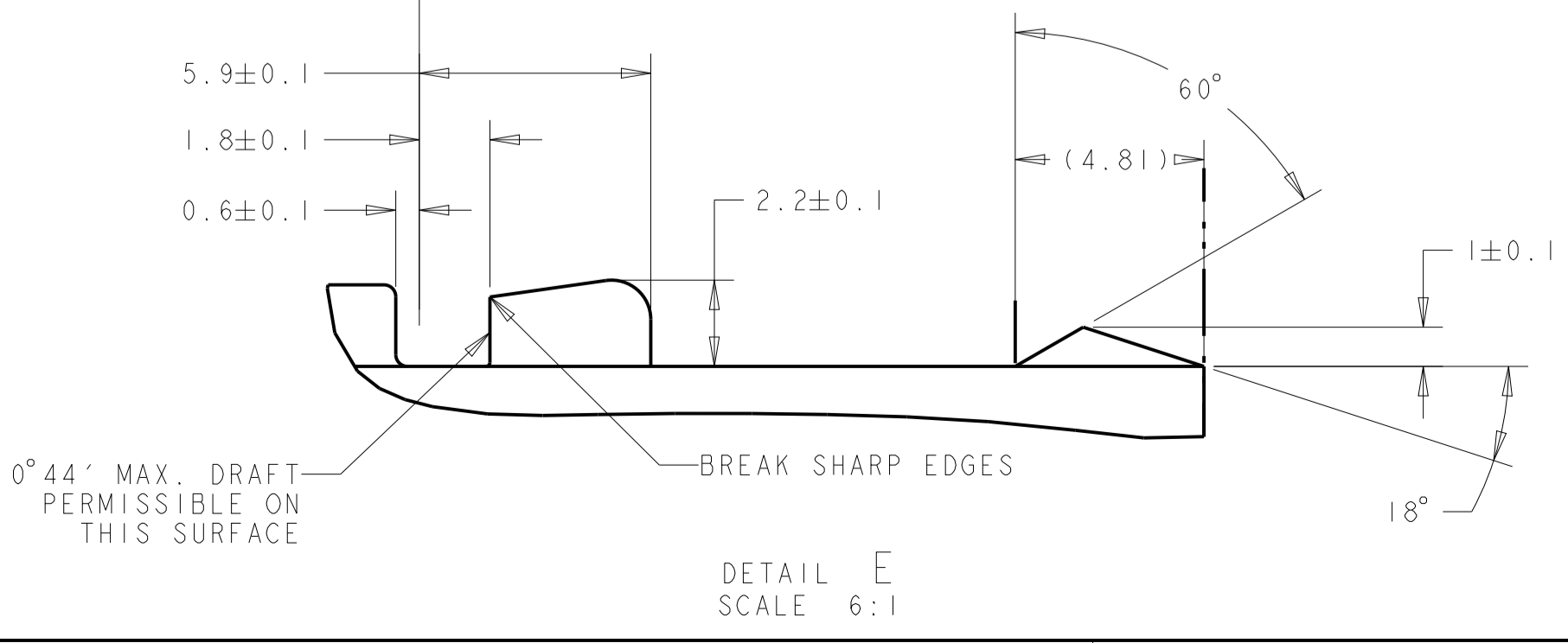
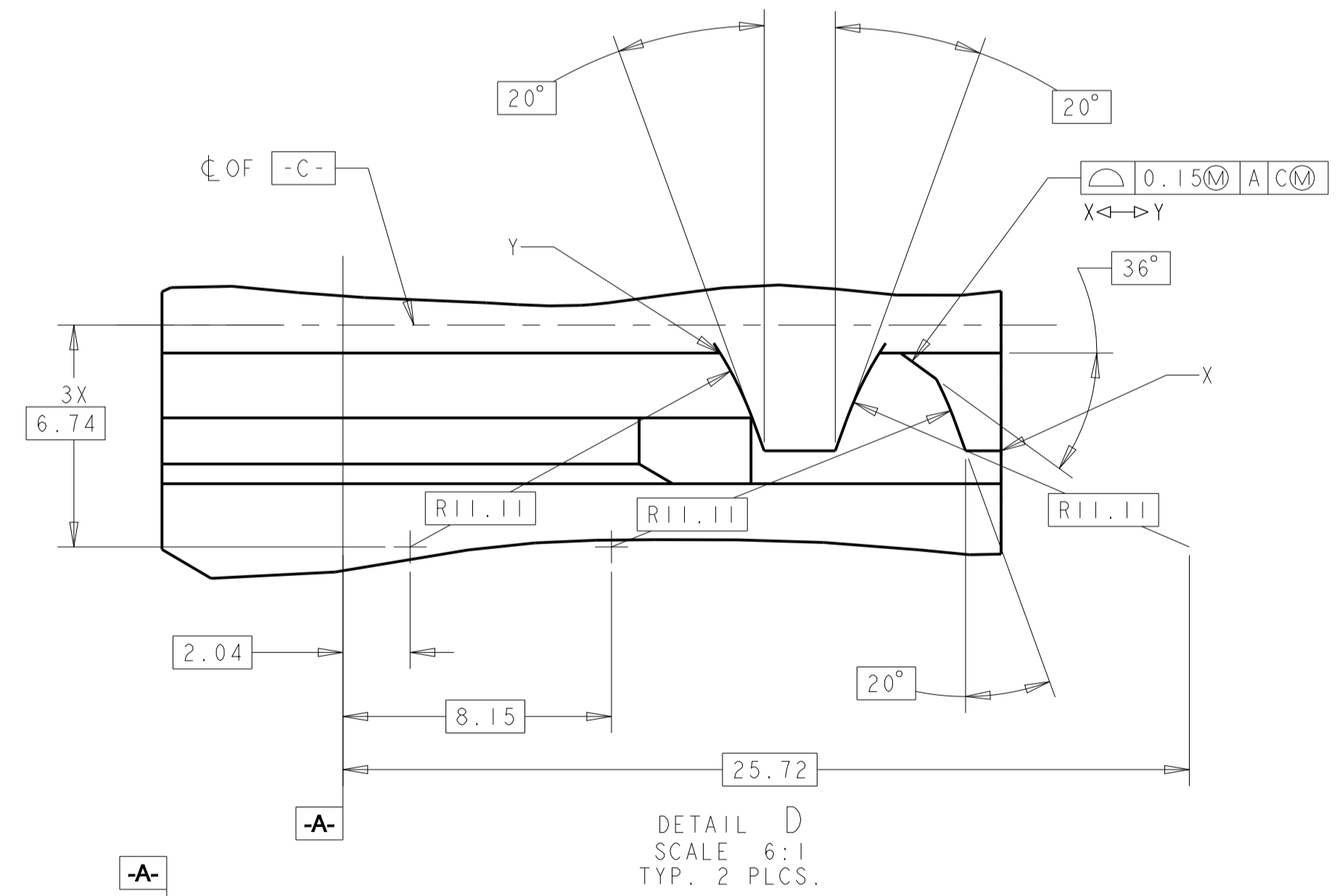
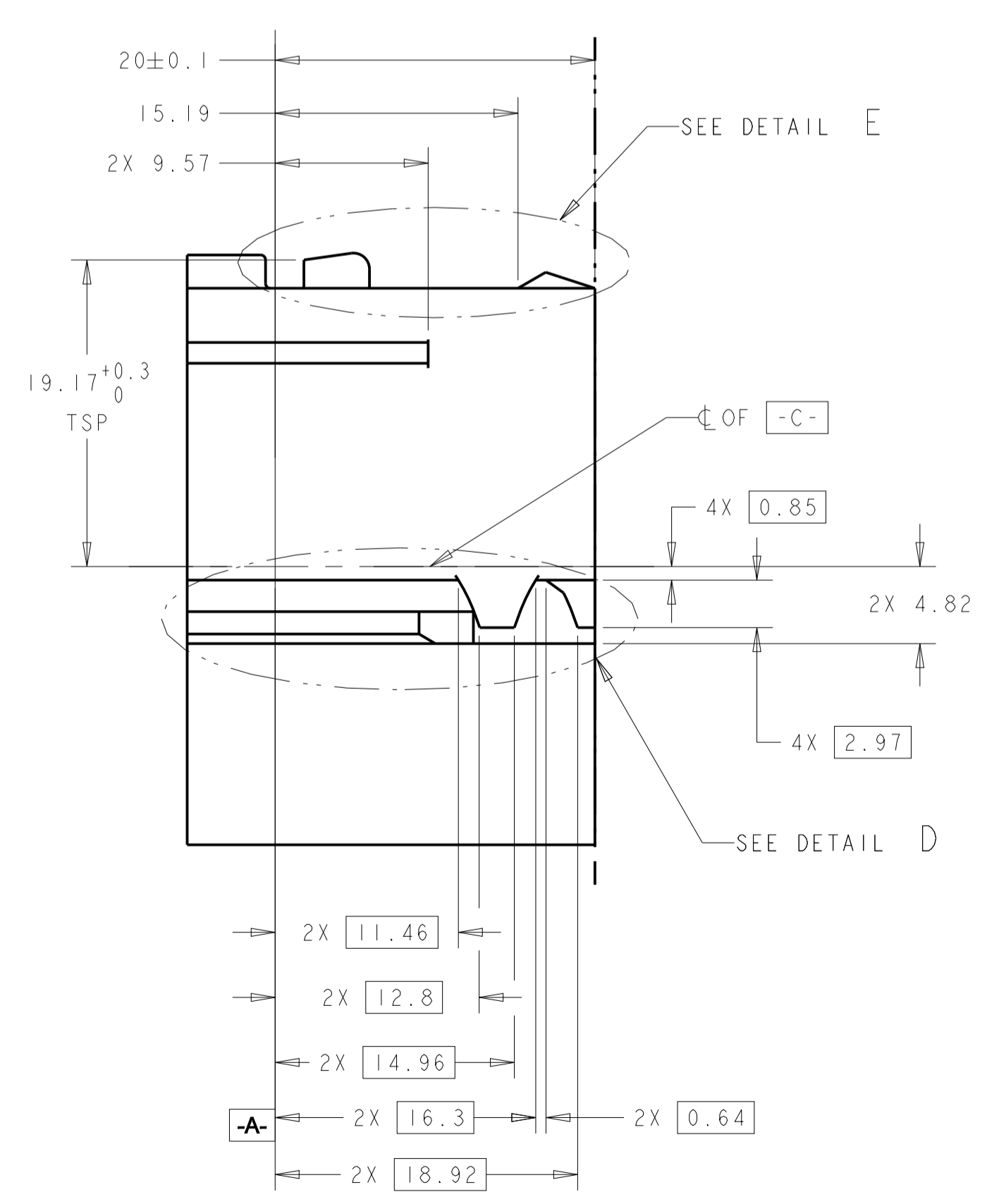
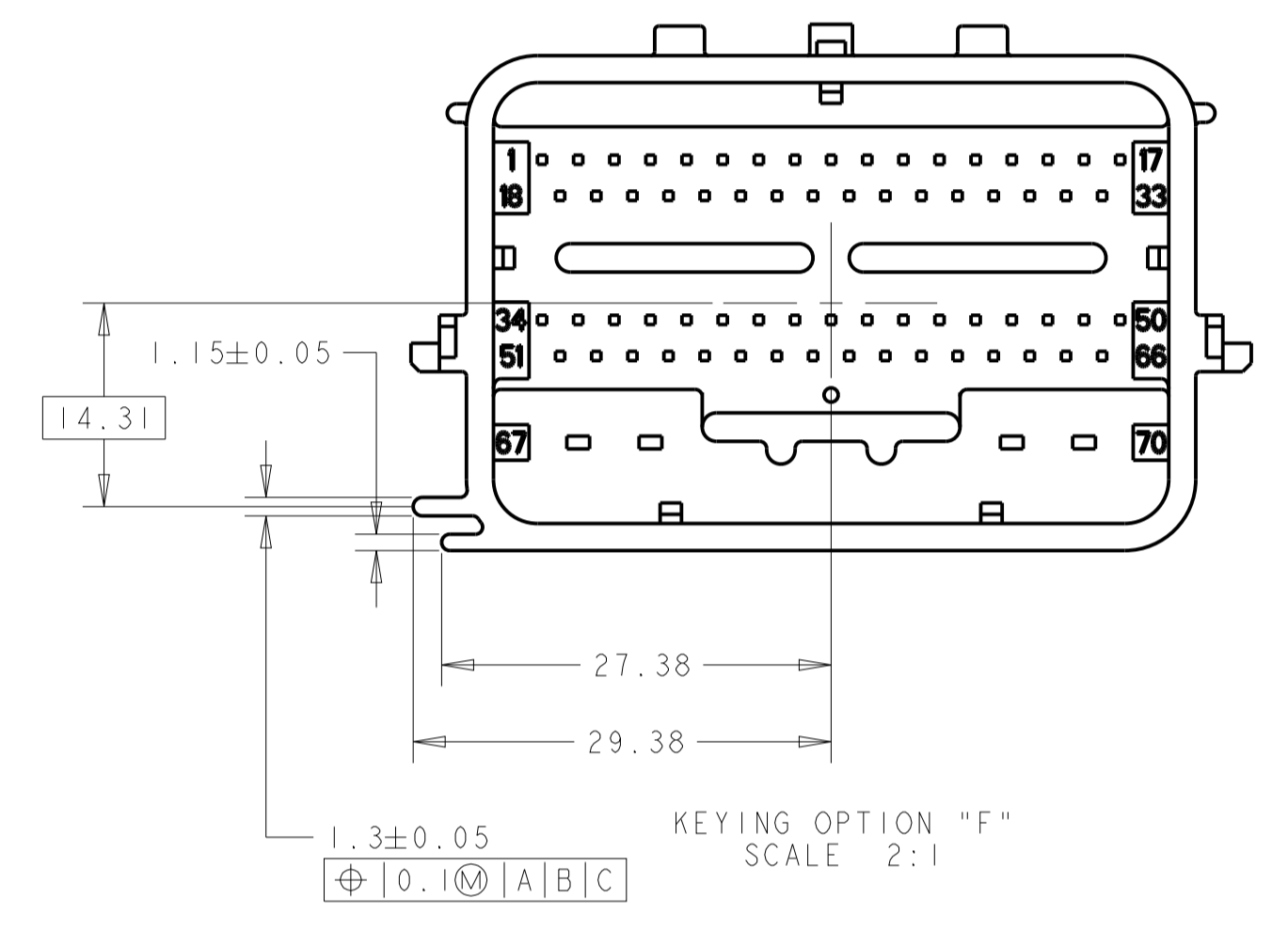
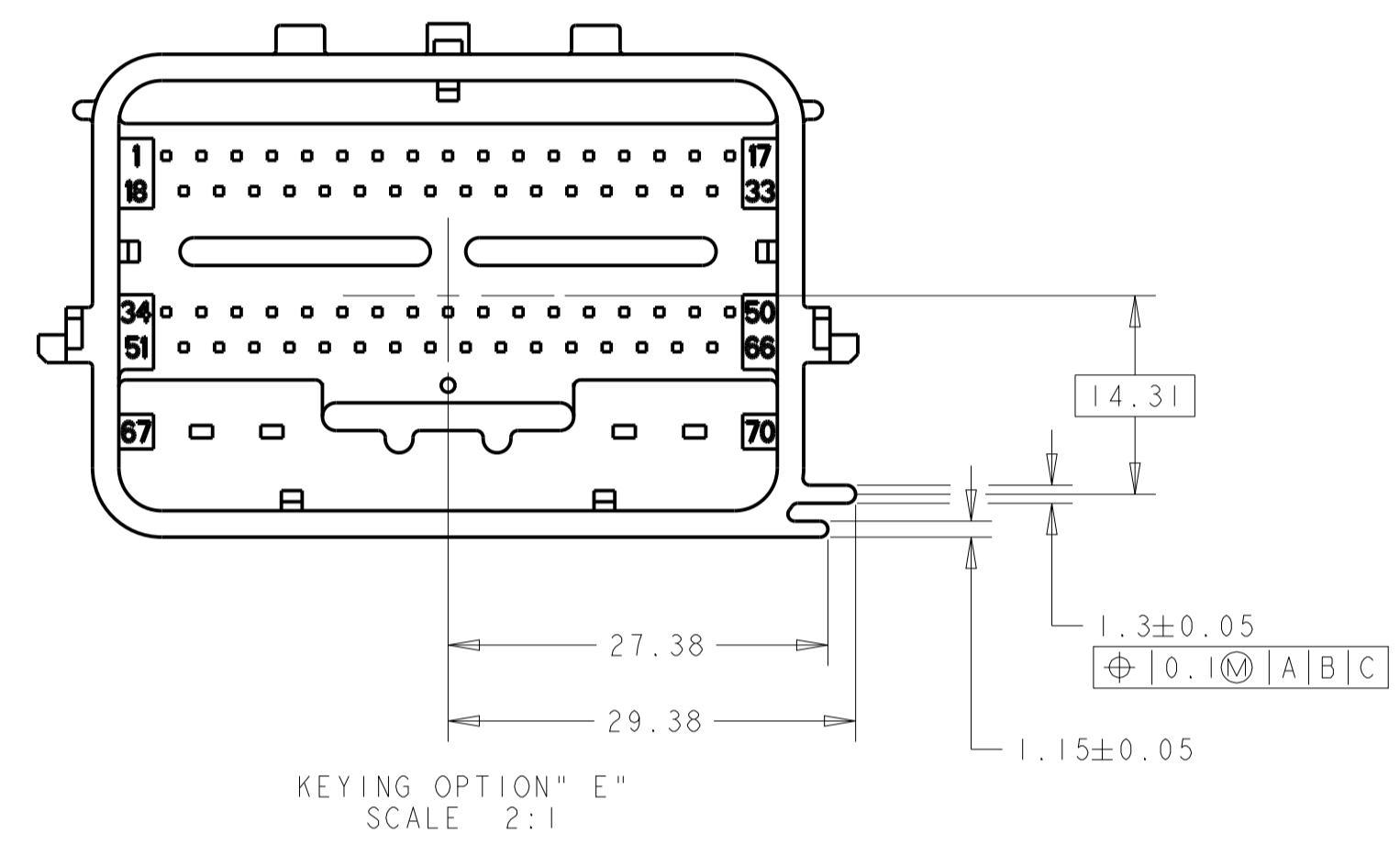
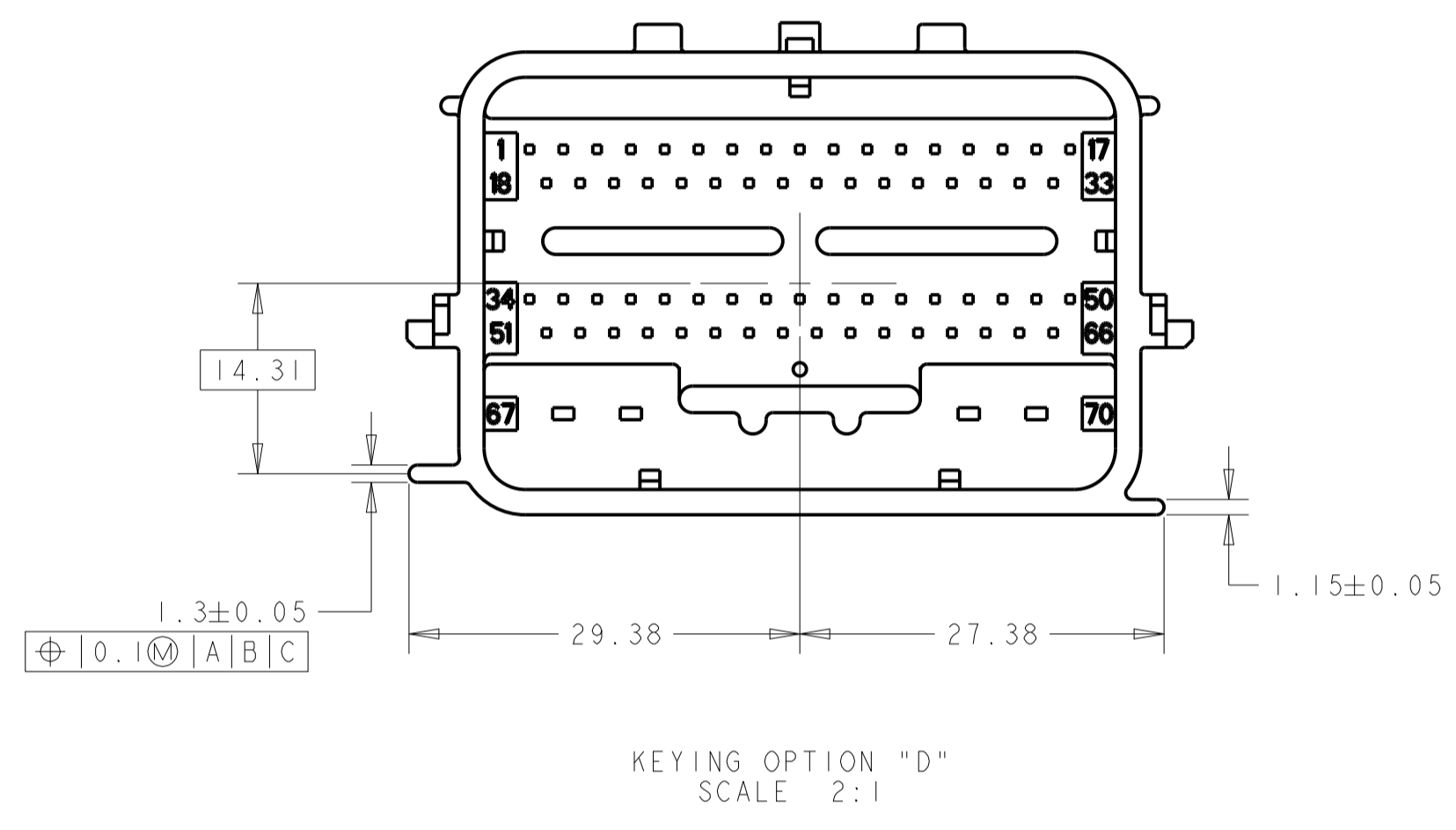
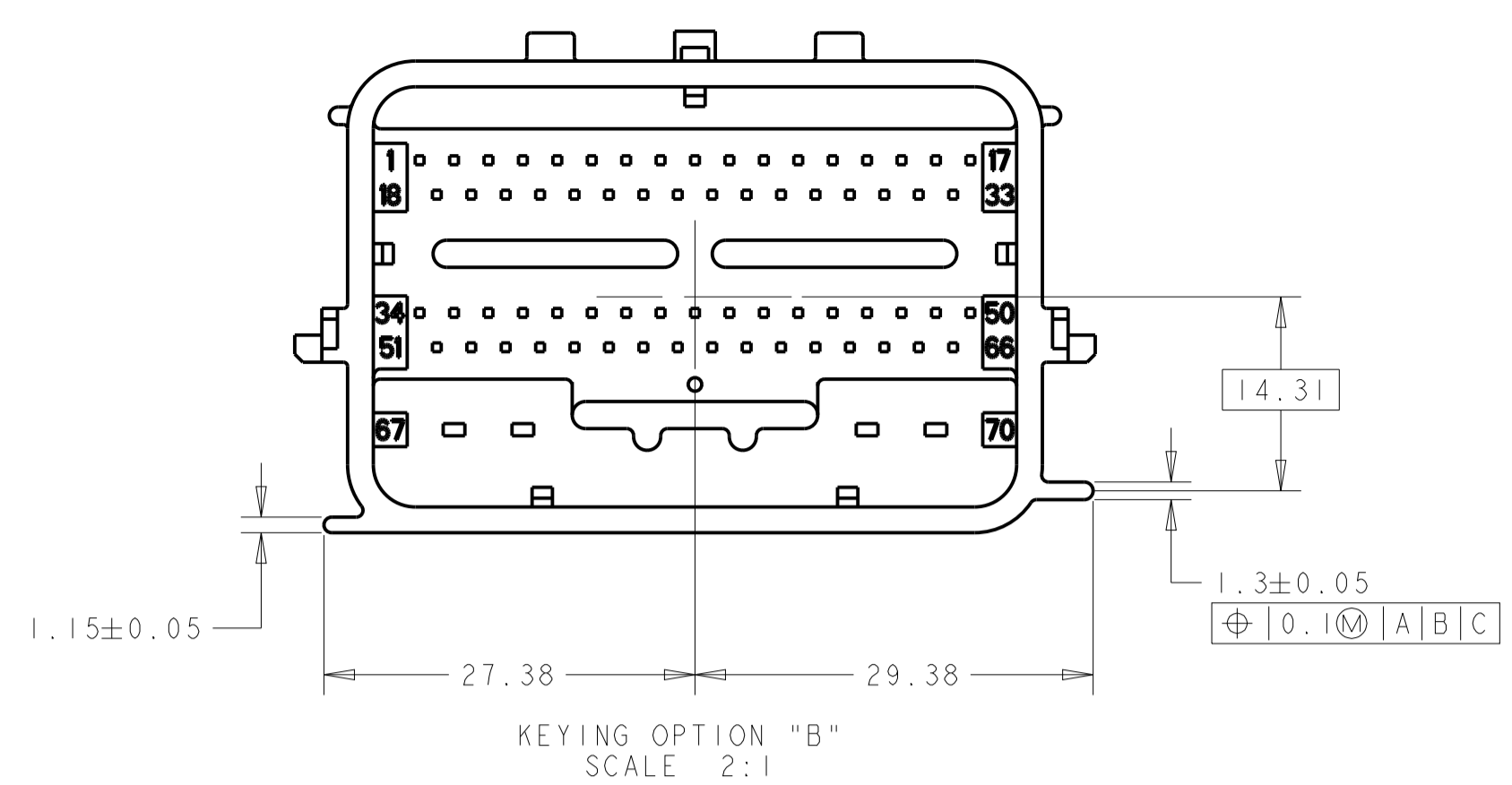
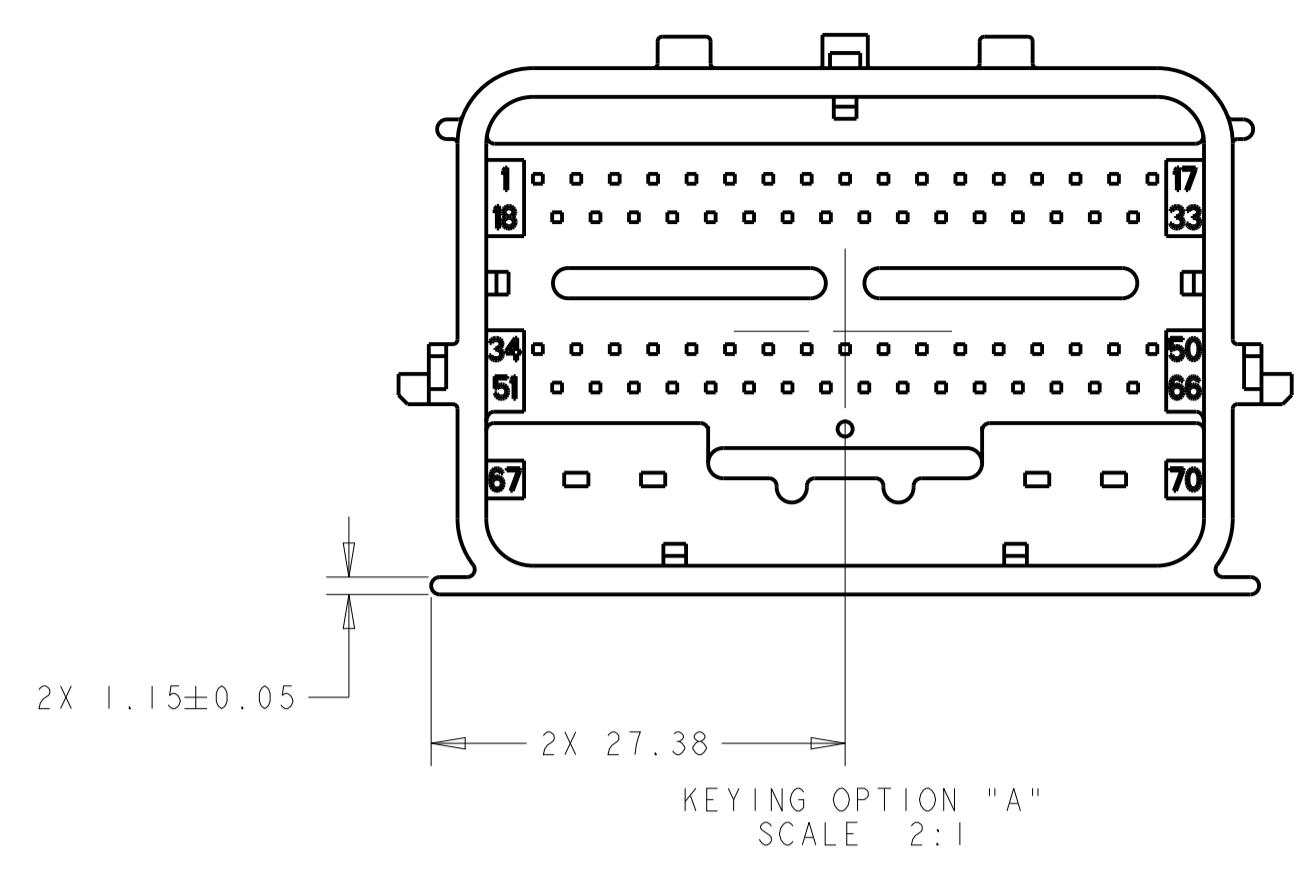


- NOTES: UNLESS OTHERWISE SPECIFIED
- GENERAL TOLERANCE:
±0.3 ALL ONE PLACE DIMENSIONS
±0.10 ALL TWO PLACE DIMENSIONS
±1°00' ALL ANGULAR DIMENSIONS
 - DRAFT ANGLE PERMISSIBLE ONLY WITHIN DRAWING TOLERANCE.
 - SEALING SURFACE, NO WITNESS LINES OF DAMAGE PERMITTED.
 - ALL UNMARKED RADIUS TO BE 0.5 MAX., UNLESS OTHERWISE SPECIFIED
 - VENT HOLE SIZE AND LOCATION IS OPTIONAL.
 - THIS AREA TO REMAIN CLEAR FOR THE HARNESS ASSEMBLY.
 - TERMINAL POSITION IDENTIFICATION.
 - MATES WITH TYCO ELECTRONICS PART# 1438136-*

THIS DRAWING IS A CONTROLLED DOCUMENT.		OWN: R. VESTAL 15APR2005	TE Connectivity										
DIMENSIONS: mm		CHK: T. VALASEK 15APR2005											
TOLERANCES UNLESS OTHERWISE SPECIFIED:		APVD: T. VALASEK 15APR2005	NAME: 70-WAY HARNESS ASSEMBLY										
<table border="1"> <tr><td>0 PLC</td><td>±</td></tr> <tr><td>1 PLC</td><td>±0.3</td></tr> <tr><td>2 PLC</td><td>±0.10</td></tr> <tr><td>3 PLC</td><td>±</td></tr> <tr><td>4 PLC</td><td>±</td></tr> </table>		0 PLC	±	1 PLC	±0.3	2 PLC	±0.10	3 PLC	±	4 PLC	±	PRODUCT SPEC	SIZE: CAGE CODE: DRAWING NO:
0 PLC	±												
1 PLC	±0.3												
2 PLC	±0.10												
3 PLC	±												
4 PLC	±												
MATERIAL: -		APPLICATION SPEC	RESTRICTED TO:										
FINISH: -		WEIGHT: -	A100779C=1438136										
CUSTOMER DRAWING		SCALE: 2:1	SHEET 10 OF 11										

HEADER INTERFACE KEYING OPTIONS

REVISIONS				
P.	LTN.	DESCRIPTION	DATE	APPV.
-	-	SEE SHEET 1	-	-



THIS DRAWING IS A CONTROLLED DOCUMENT.		OWN: R. VESTAL 15APR2005	TE Connectivity
DIMENSIONS: mm		CHK: T. VALASEK 15APR2005	
TOLERANCES UNLESS OTHERWISE SPECIFIED:		APVD: T. VALASEK 15APR2005	NAME: 70-WAY HARNESS ASSEMBLY
0 PLC ±0.3	1 PLC ±0.10	PRODUCT SPEC	SIZE: CAGE CODE DRAWING NO.
2 PLC ±0.10	3 PLC ±0.10	APPLICATION SPEC	RESTRICTED TO
4 PLC ±0.10	ANGLES ±0.1°	WEIGHT	A100779C=1438136
MATERIAL	FINISH	CUSTOMER DRAWING	SCALE 2:1 SHEET 11 OF 11 REV 647