



Chipsmall Limited consists of a professional team with an average of over 10 year of expertise in the distribution of electronic components. Based in Hongkong, we have already established firm and mutual-benefit business relationships with customers from,Europe,America and south Asia,supplying obsolete and hard-to-find components to meet their specific needs.

With the principle of “Quality Parts,Customers Priority,Honest Operation,and Considerate Service”,our business mainly focus on the distribution of electronic components. Line cards we deal with include Microchip,ALPS,ROHM,Xilinx,Pulse,ON,Everlight and Freescale. Main products comprise IC,Modules,Potentiometer,IC Socket,Relay,Connector.Our parts cover such applications as commercial,industrial, and automotives areas.

We are looking forward to setting up business relationship with you and hope to provide you with the best service and solution. Let us make a better world for our industry!



Contact us

Tel: +86-755-8981 8866 Fax: +86-755-8427 6832

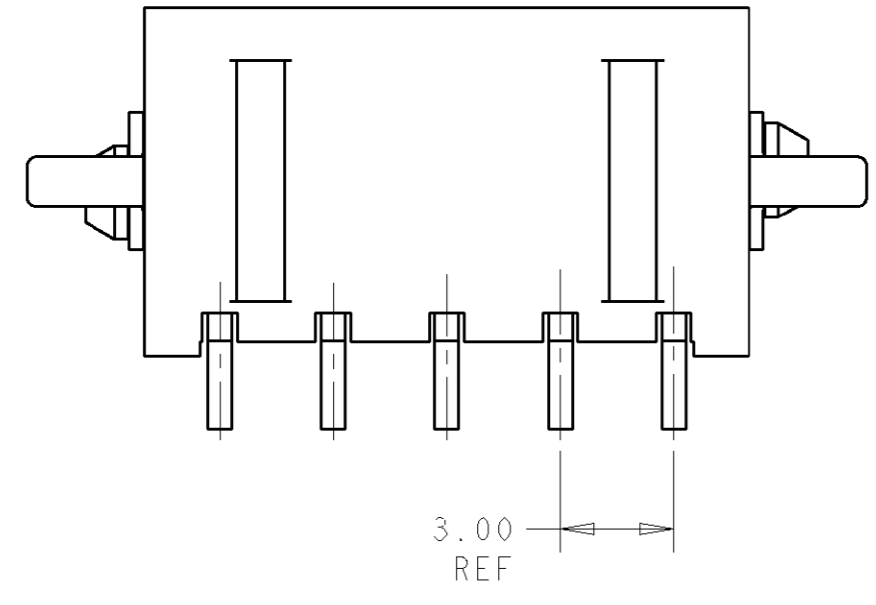
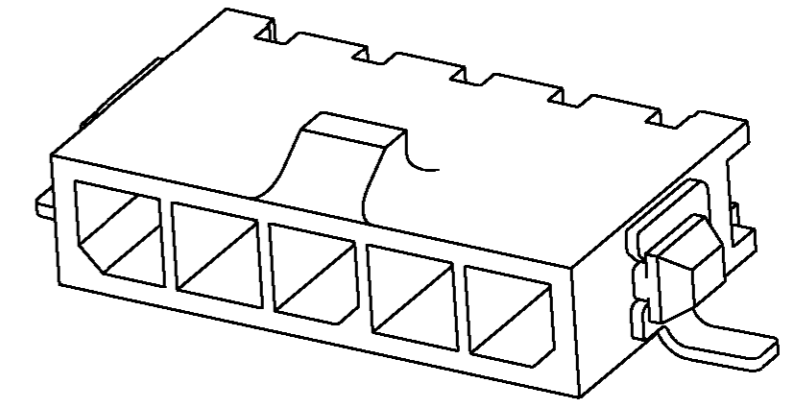
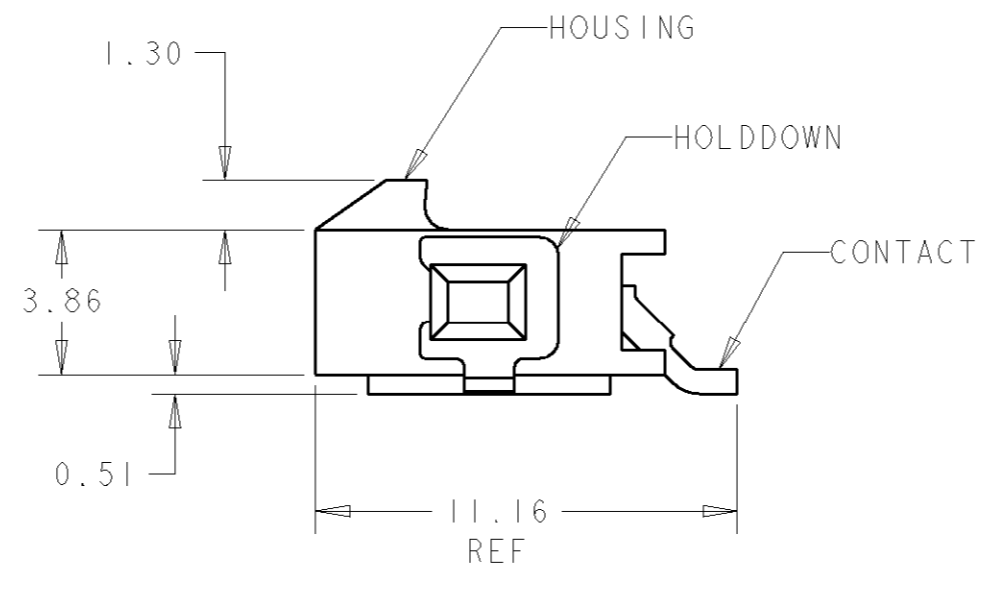
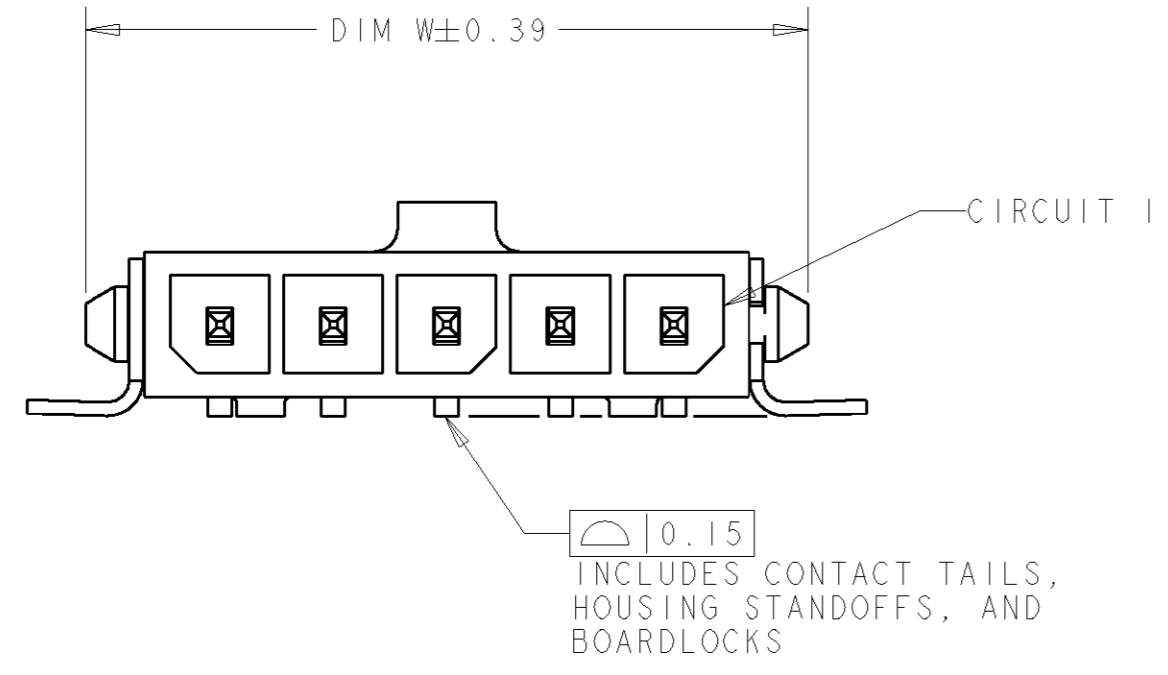
Email & Skype: info@chipsmall.com Web: www.chipsmall.com

Address: A1208, Overseas Decoration Building, #122 Zhenhua RD., Futian, Shenzhen, China

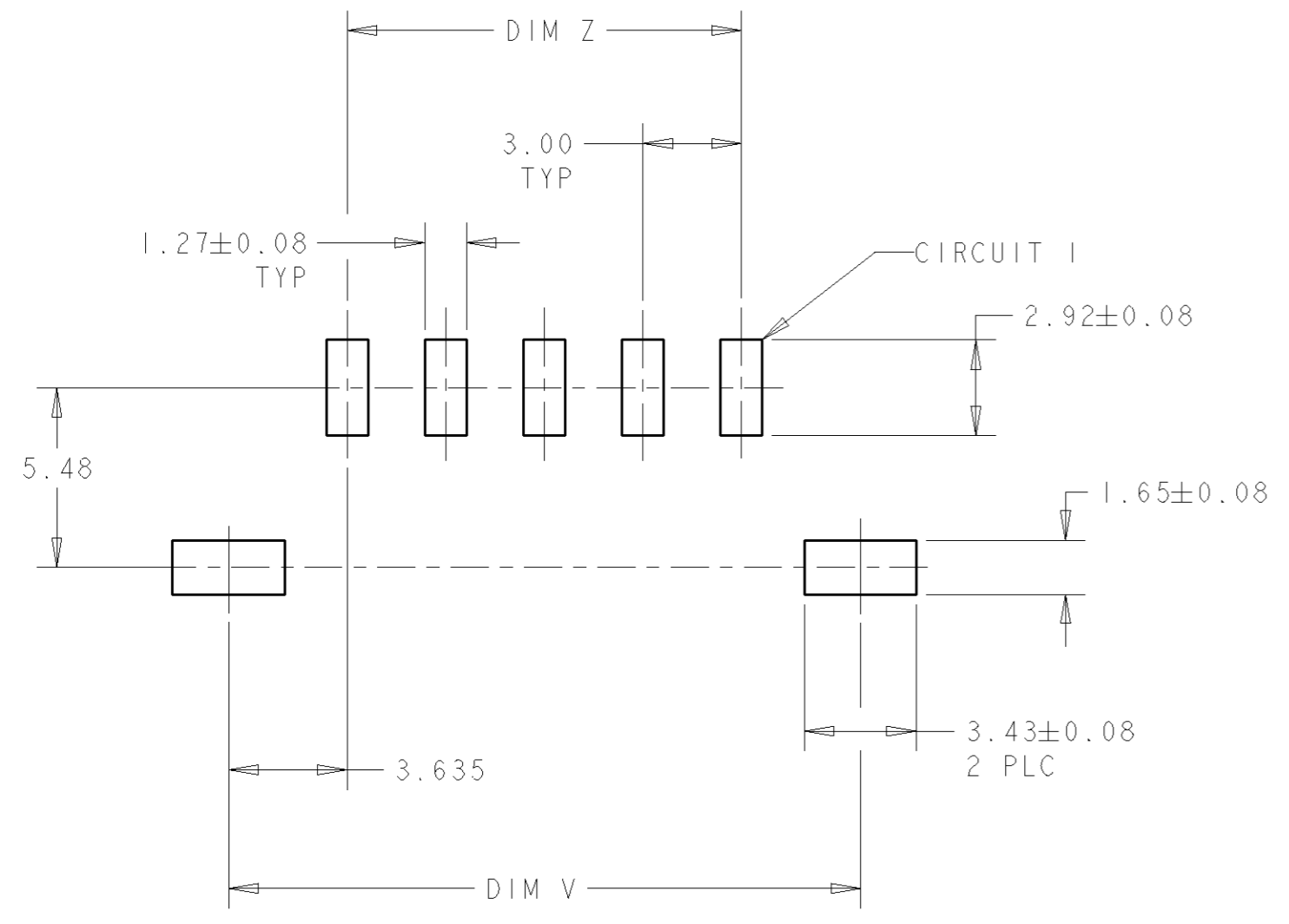


THIS DRAWING IS UNPUBLISHED. RELEASED FOR PUBLICATION .19
 BY AMP INCORPORATED. ALL RIGHTS RESERVED.

LOC	DIST	REVISIONS					
CM	00	P	LTR	DESCRIPTION	DATE	DWN	APVD
		A		REVISED PER 063B-0047-02	04-FEB-02	KW	CJ

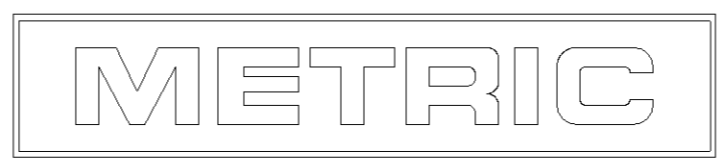


- 1 MATERIAL: CONTACTS - BRASS
HOUSING - UL 94V-0 RATED HIGH TEMP NYLON, COLOR BLACK.
HOLDDOWNS: - PHOSPHOR BRONZE.
- 2 PLATING: CONTACTS - 0.76µm MINIMUM GOLD ON MATING END,
2.54µm MINIMUM TIN LEAD ON SOLDER TAILS, BOTH OVER
1.27µm MINIMUM NICKEL.
HOLDDOWNS: 2.54µm MINIMUM TIN-LEAD OVER 1.27µm MINIMUM NICKEL.
- 4 RECOMMENDED PC BOARD THICKNESS OF 1.57.



33.00	40.41	40.00	12	1-1445100-2
30.00	37.41	37.00	11	1-1445100-1
27.00	34.41	34.00	10	1-1445100-0
24.00	31.27	31.00	9	1445100-9
21.00	28.41	28.00	8	1445100-8
18.00	25.41	25.00	7	1445100-7
15.00	22.41	22.00	6	1445100-6
12.00	19.41	19.00	5	1445100-5
9.00	16.41	16.00	4	1445100-4
6.00	13.41	13.00	3	1445100-3
3.00	10.41	10.00	2	1445100-2
DIM Z	DIM V	DIM W	NO. OF POSN	PART NUMBER

PCB LAYOUT COMPONENT SIDE 4



THIS DRAWING IS A CONTROLLED DOCUMENT FOR AMP INCORPORATED. IT IS SUBJECT TO CHANGE AND THE CONTROLLING ENGINEERING ORGANIZATION SHOULD BE CONTACTED FOR THE LATEST REVISION.		DWN J.ROOT 09OCT2000	Tyco Electronics Harrisburg, PA 17105-3608
DIMENSIONS: mm		CHK K. WHITAKER 17-APR-2001	
TOLERANCES UNLESS OTHERWISE SPECIFIED: 0 PLC ± 1 PLC ± 2 PLC ±0.13 3 PLC ± 4 PLC ± ANGLES ± FINISH		APVD C. JONES 17-APR-2001	
MATERIAL		PRODUCT SPEC APPLICATION SPEC WEIGHT	
		NAME RIGHT ANGLE SURFACE MNT HEADER ASSY, 0.76 MIC GOLD CONTACTS, W/SURF MOUNT HOLDDOWNS, SGL ROW, MICRO MATE-N-LOK™	SIZE A2
		CAGE CODE 00779	DRAWING NO 1445100
		CUSTOMER DRAWING	SCALE 5:1 SHEET 1 OF 1 REV A