



Chipsmall Limited consists of a professional team with an average of over 10 year of expertise in the distribution of electronic components. Based in Hongkong, we have already established firm and mutual-benefit business relationships with customers from,Europe,America and south Asia,supplying obsolete and hard-to-find components to meet their specific needs.

With the principle of “Quality Parts,Customers Priority,Honest Operation,and Considerate Service”,our business mainly focus on the distribution of electronic components. Line cards we deal with include Microchip,ALPS,ROHM,Xilinx,Pulse,ON,Everlight and Freescale. Main products comprise IC,Modules,Potentiometer,IC Socket,Relay,Connector.Our parts cover such applications as commercial,industrial, and automotives areas.

We are looking forward to setting up business relationship with you and hope to provide you with the best service and solution. Let us make a better world for our industry!



Contact us

Tel: +86-755-8981 8866 Fax: +86-755-8427 6832

Email & Skype: info@chipsmall.com Web: www.chipsmall.com

Address: A1208, Overseas Decoration Building, #122 Zhenhua RD., Futian, Shenzhen, China



- ① FINISH: 1.27 μ m[.000050] MIN THICK NICKEL PLATE ALL OVER. 0.76 μ m [.000030]MIN THICK GOLD PLATE OVER NICKEL IN CONTACT AREA AND 2.54 μ m[.000100] MIN THICK TIN-LEAD PLATE OVER NICKEL ON SOLDERTAIL.
- ② THIS REQUIREMENT IS BASED ON A 0.82 μ m[.032] MAXIMUM EFFECTIVE DIAMETER (DIAGONAL) OF THE SOLDERTAILS.
- ③ DROP DOWNS(SKIRTS) RECOMMENDED TO MINIMIZE POTENTIAL OF IMPROPER MATING OF THE BOARD TO THE CONNECTOR.
- ④ FINISH: 1.27 μ [.000050] MIN THICK TIN.
- ⑤ DETAILS OF LONGER METAL HOLD-DOWN MAY VARY FROM THOSE SHOWN.
- ⑥ ALTERNATE PATTERN APPLIES.
- ⑦ OBSOLETE PARTS: OBSOLETE CIS STREAMLINING PER D.RENAUD/D.SINISI

RC	RB	RA	LC	LB	LA	W	V	U	T	S	L	NO. OF DUAL POSN	PART NUMBER
58.496 [2.303]	57.28-57.53 [2.255-2.265]	40	47.320 [1.863]	46.10-46.36 [1.815-1.825]	31	108.36 [4.266]	57.58-57.73 [2.267-2.273]	46.41-46.56 [1.827-1.833]	46.482 [1.830]	4.44-4.95 [.175-.195]	4.57-5.08 [.180-.200] 3.68-4.19 [.145-.165]	73	4-145090-0 3-145090-9 3-145090-8 3-145090-7 3-145090-6 3-145090-5 3-145090-4 3-145090-3 3-145090-2 3-145090-1
97.866 [3.853]	96.65-96.90 [3.805-3.815]	71	80.340 [3.163]	79.12-79.38 [3.115-3.125]	57	180.75 [7.116]	96.95-97.10 [3.817-3.823]	79.43-79.58 [3.127-3.133]	79.502 [3.130]	4.44-4.95 [.175-.195]	4.57-5.08 [.180-.200] 3.68-4.19 [.145-.165]	130	3-145090-6 3-145090-5 3-145090-4 3-145090-3
92.786 [3.653]	91.57-91.82 [3.605-3.615]	67	72.720 [2.863]	71.50-71.76 [2.815-2.825]	51	168.05 [6.616]	91.87-92.02 [3.617-3.623]	71.81-71.96 [2.827-2.833]	71.882 [2.830]	4.44-4.95 [.175-.195]	4.57-5.08 [.180-.200] 3.68-4.19 [.145-.165]	120	3-145090-2 3-145090-1 3-145090-0 2-145090-9
85.166 [3.353]	83.95-84.20 [3.305-3.315]	61	67.640 [2.663]	66.42-66.68 [2.615-2.625]	47	155.35 [6.116]	84.25-84.40 [3.317-3.323]	66.73-66.88 [2.627-2.633]	66.802 [2.630]	4.44-4.95 [.175-.195]	4.57-5.08 [.180-.200] 3.68-4.19 [.145-.165]	110	2-145090-8 2-145090-7 2-145090-6 2-145090-5
77.546 [3.053]	76.33-76.58 [3.005-3.015]	55	62.560 [2.463]	61.34-61.60 [2.415-2.425]	43	142.65 [5.616]	76.63-76.78 [3.017-3.023]	61.65-61.80 [2.427-2.433]	61.722 [2.430]	4.44-4.95 [.175-.195]	4.57-5.08 [.180-.200] 3.68-4.19 [.145-.165]	100	2-145090-4 2-145090-3 2-145090-2 2-145090-1 2-145090-0
69.926 [2.753]	68.71-68.96 [2.705-2.715]	49	57.480 [2.263]	56.26-56.52 [2.215-2.225]	39	129.95 [5.116]	69.01-69.16 [2.717-2.723]	56.57-56.72 [2.227-2.233]	56.642 [2.230]	4.44-4.95 [.175-.195]	4.57-5.08 [.180-.200] 3.68-4.19 [.145-.165]	90	1-145090-9 1-145090-8 1-145090-7 1-145090-6 1-145090-5
62.306 [2.453]	61.09-61.34 [2.405-2.415]	43	52.400 [2.063]	51.18-51.44 [2.015-2.025]	35	117.25 [4.616]	61.39-61.54 [2.417-2.423]	51.49-51.64 [2.027-2.033]	51.562 [2.030]	4.44-4.95 [.175-.195]	4.57-5.08 [.180-.200] 3.68-4.19 [.145-.165]	80	1-145090-6 1-145090-5 1-145090-4 1-145090-3
57.226 [2.253]	56.01-56.26 [2.205-2.215]	39	44.780 [1.763]	43.56-43.82 [1.715-1.725]	29	104.55 [4.116]	56.31-56.46 [2.217-2.223]	43.87-44.02 [1.727-1.733]	43.942 [1.730]	4.44-4.95 [.175-.195]	4.57-5.08 [.180-.200] 3.68-4.19 [.145-.165]	70	1-145090-2 1-145090-1 1-145090-0 1-145090-9 1-145090-8 1-145090-7
49.606 [1.953]	48.39-48.64 [1.905-1.915]	33	39.700 [1.563]	38.48-38.74 [1.515-1.525]	25	91.85 [3.616]	48.69-48.84 [1.917-1.923]	38.79-38.94 [1.527-1.533]	38.862 [1.530]	4.44-4.95 [.175-.195]	4.57-5.08 [.180-.200] 3.68-4.19 [.145-.165]	60	145090-6 145090-5 145090-4 145090-3 145090-2 145090-1
41.986 [1.653]	40.77-41.02 [1.605-1.615]	27	34.620 [1.363]	33.40-33.66 [1.315-1.325]	21	79.15 [3.116]	41.07-41.22 [1.617-1.623]	33.71-33.86 [1.327-1.333]	33.782 [1.330]	4.44-4.95 [.175-.195]	4.57-5.08 [.180-.200] 3.68-4.19 [.145-.165]	50	145090-4 145090-3 145090-2 145090-1

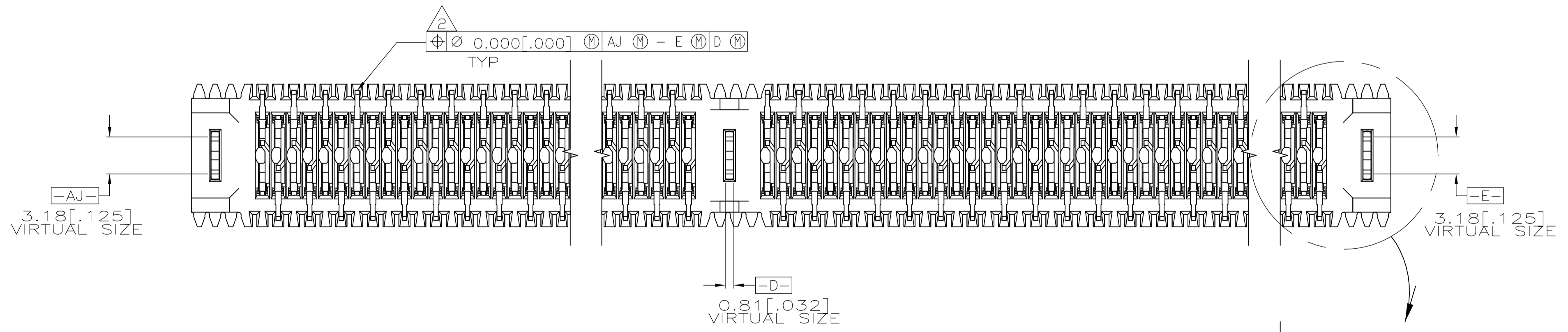
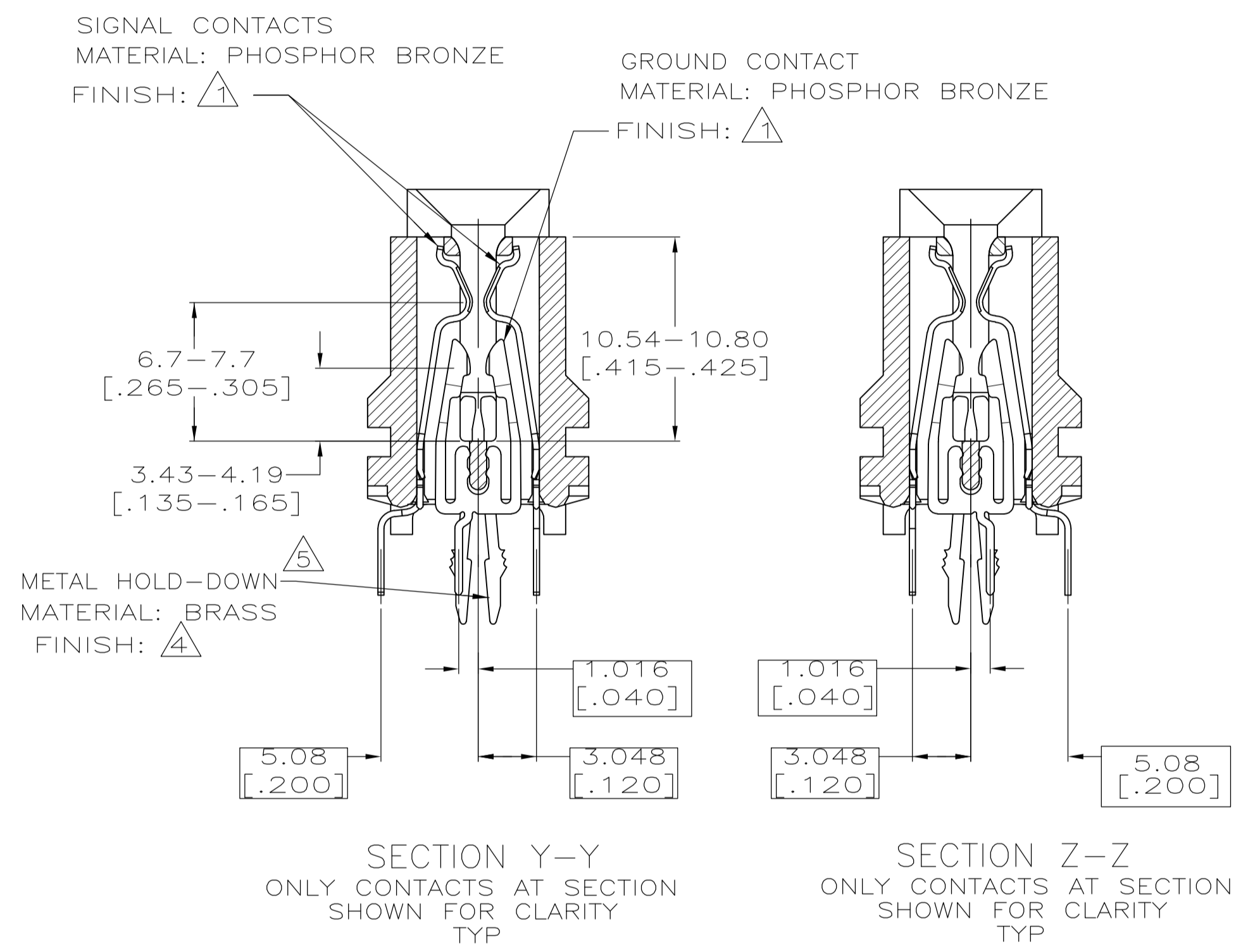
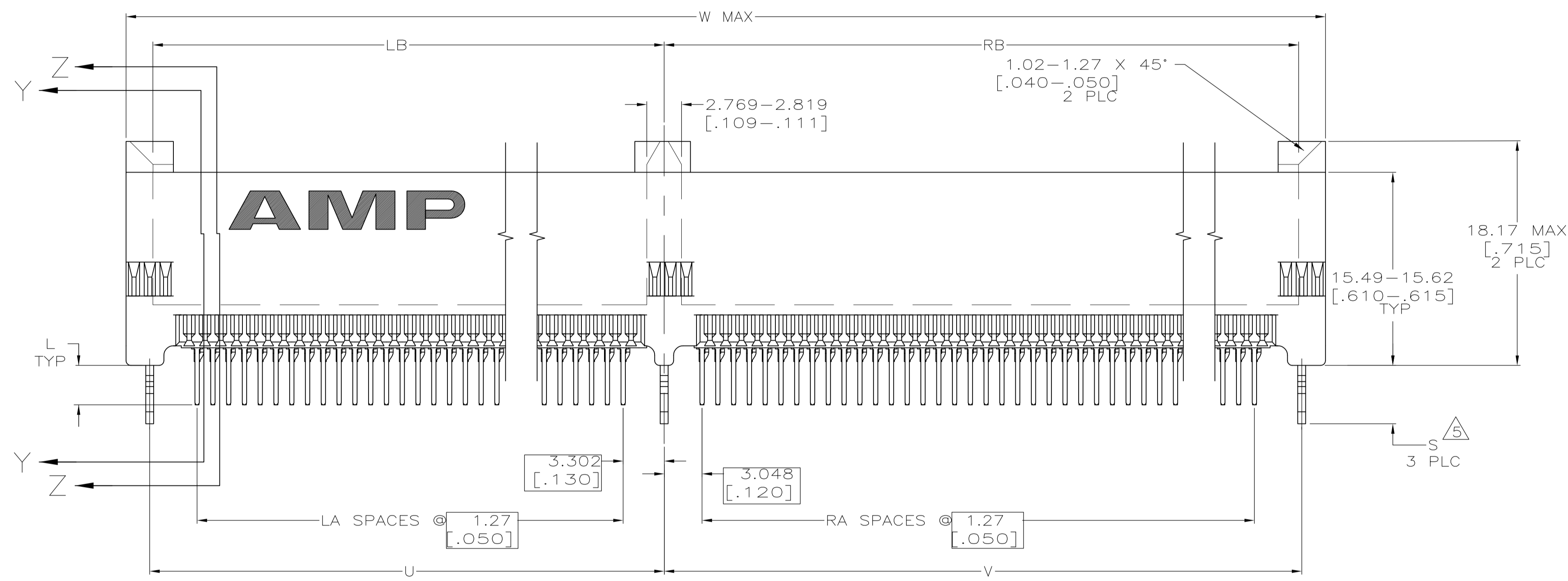
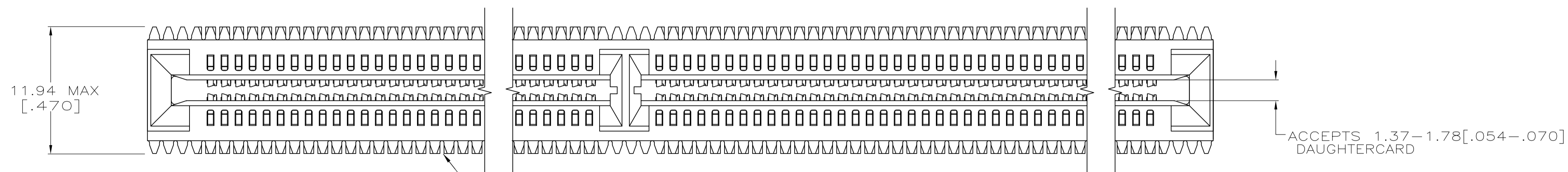
THIS DRAWING IS A CONTROLLED DOCUMENT.

DIMENSIONS: mm [INCHES] TOLERANCES UNLESS OTHERWISE SPECIFIED:
 0. PLC ± -
 1. PLC ± -
 2. PLC ± .13 [.005]
 3. PLC ± -
 4. PLC ANGLES ± 3°

MATERIAL: - FINISH: -

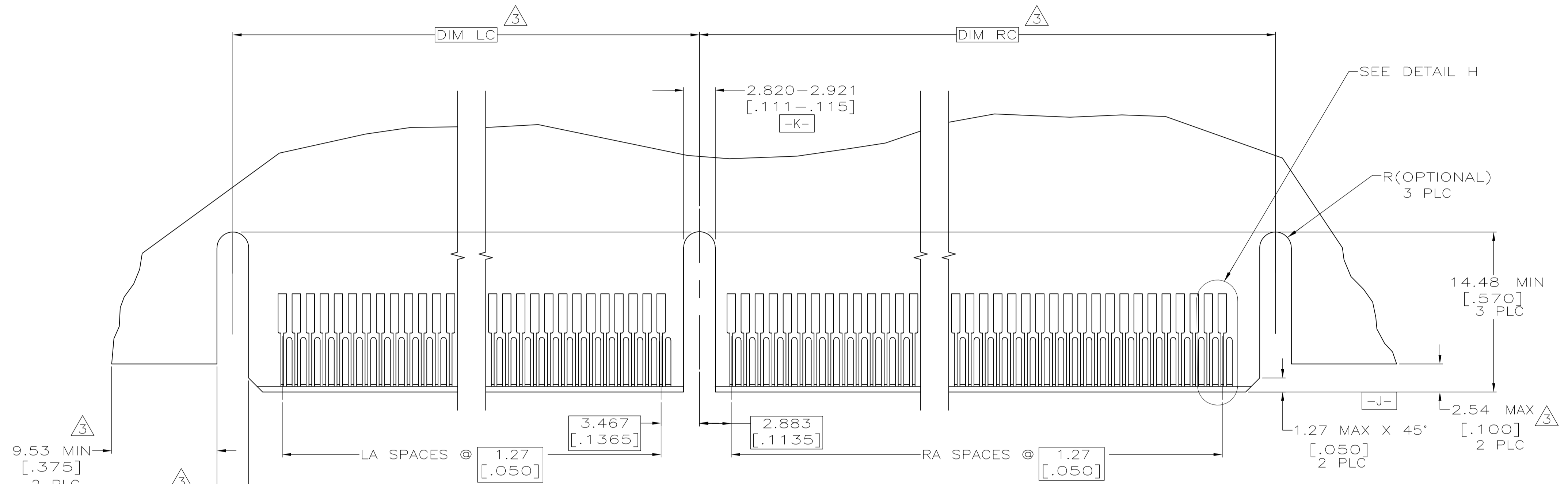
THIS DRAWING IS A CONTROLLED DOCUMENT. DWN RB/LA.MAYER 15FEB2008 CHK P.RECCE 15FEB2008 APVD S.FLICKINGER 15FEB2008 NAME PRODUCT SPEC 108-1406 APPLICATION SPEC 114-11007 WEIGHT - SIZE CASE CODE DRAWING NO. A1 00779 145090 RESTRICTED TO CUSTOMER DRAWING SCALE 4:1 SHEET 1 OF 3 REV K2

STE TE Connectivity
 CONNECTOR ASSEMBLY, DUAL POSN, HIGH SPEED, STANDARD EDGE

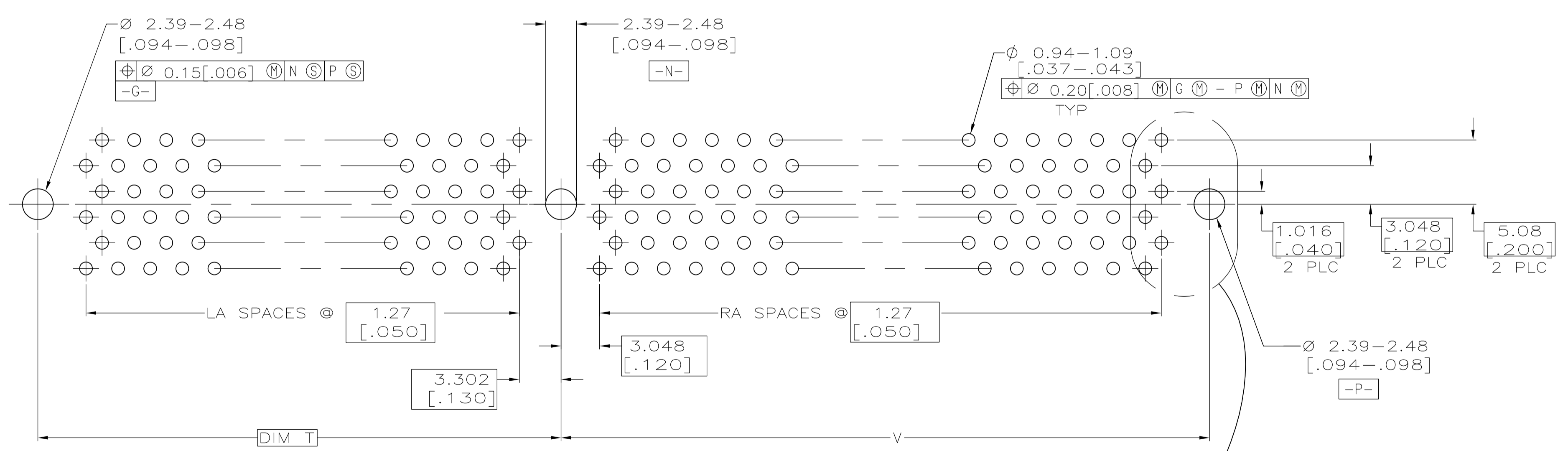


ALTERNATIVE PATTERN

THIS DRAWING IS A CONTROLLED DOCUMENT.		DN RB/LA.MAYER 15FEB2008	 TE Connectivity
DIMENSIONS: mm [INCHES]		CHK J.WESTMAN 15FEB2008	
TOLERANCES UNLESS OTHERWISE SPECIFIED:		APVD S.FLICKINGER 15FEB2008	NAME
0 PLC ± -			CONNECTOR ASSEMBLY, DUAL POSITION, HIGH SPEED, STANDARD EDGE
1 PLC ± ±			PRODUCT SPEC 108-1406
2 PLC ± ± 0.13 [.005]			APPLICATION SPEC 114-11007
3 PLC ± ±			SIZE CAGE CODE DRAWING NO. RESTRICTED TO
4 PLC ± ±			A1 00779 C=145090
ANGLES ± ± 3°			SCALE 4:1 SHEET 2 OF 3 REV K2
MATERIAL -	FINISH -	WEIGHT -	CUSTOMER DRAWING

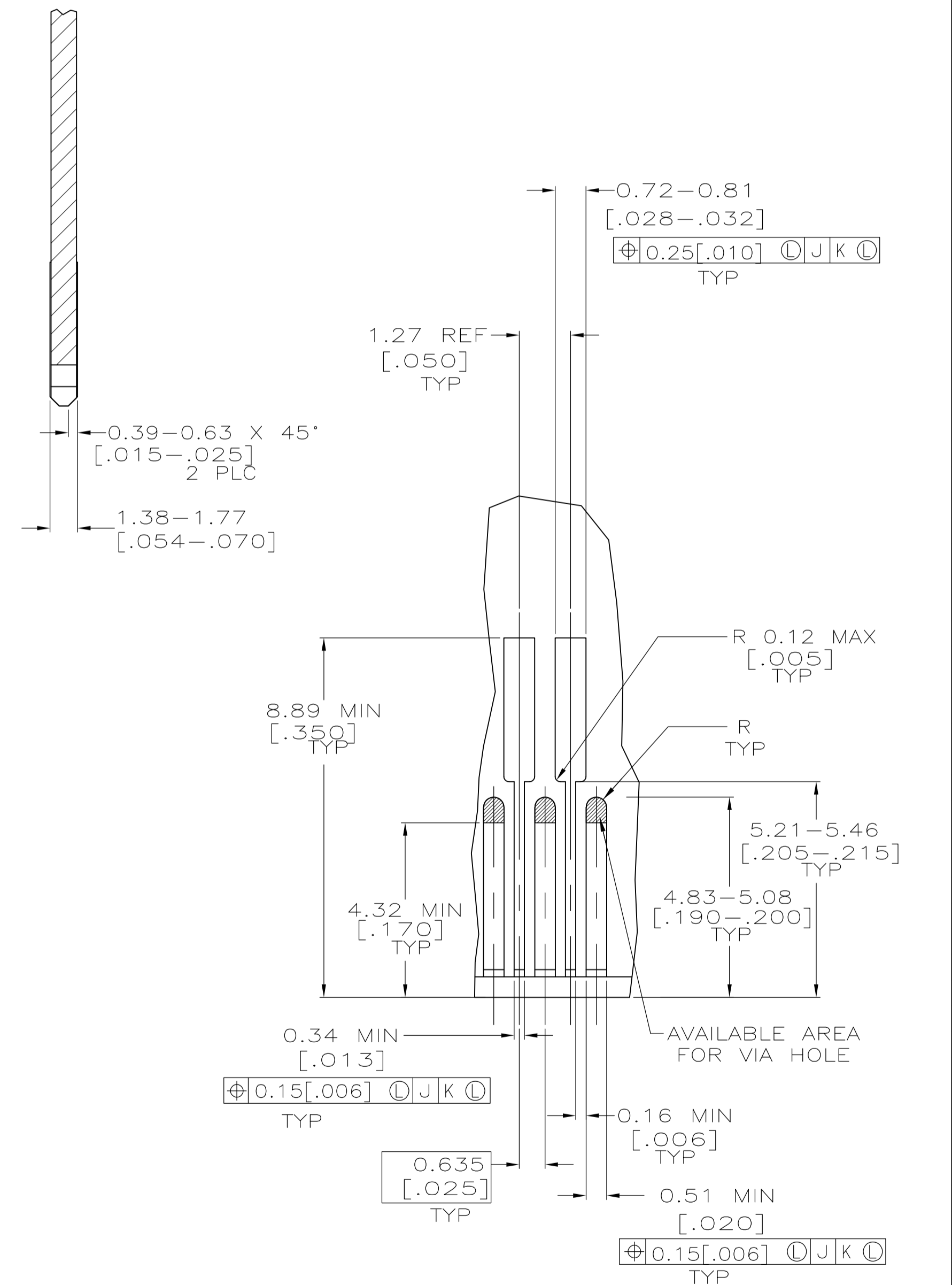


RECOMMENDED MATING BOARD EDGE CONFIGURATION



RECOMMENDED MOUNTING HOLE PATTERN (CONNECTOR SIDE SHOWN)

ALTERNATIVE MOUNTING HOLE PATTERN



DETAIL H SCALE 10:1

THIS DRAWING IS A CONTROLLED DOCUMENT.		DMN RB/LA.MAYER 15FEB2008		APVD S.FLICKINGER 15FEB2008		NAME	
DIMENSIONS: mm (INCHES)		TOLERANCES UNLESS OTHERWISE SPECIFIED:		PRODUCT SPEC		CONNECTION ASSEMBLY, DUAL POSN, HIGH SPEED, STANDARD EDGE	
0 PLC ± -		1 PLC ± -		2 PLC ± 0.13 [.005]		APPLICATION SPEC	
3 PLC ± -		4 PLC ± -		ANGLES ± 3°		114-11007	
MATERIAL		FINISH		WEIGHT		SIZE CAGE CODE DRAWING NO	
						A1 00779 C=145090	
				CUSTOMER DRAWING		SCALE 4:1 SHEET 3 OF 3 REV K2	