



Chipsmall Limited consists of a professional team with an average of over 10 year of expertise in the distribution of electronic components. Based in Hongkong, we have already established firm and mutual-benefit business relationships with customers from,Europe,America and south Asia,supplying obsolete and hard-to-find components to meet their specific needs.

With the principle of “Quality Parts,Customers Priority,Honest Operation,and Considerate Service”,our business mainly focus on the distribution of electronic components. Line cards we deal with include Microchip,ALPS,ROHM,Xilinx,Pulse,ON,Everlight and Freescale. Main products comprise IC,Modules,Potentiometer,IC Socket,Relay,Connector.Our parts cover such applications as commercial,industrial, and automotives areas.

We are looking forward to setting up business relationship with you and hope to provide you with the best service and solution. Let us make a better world for our industry!



Contact us

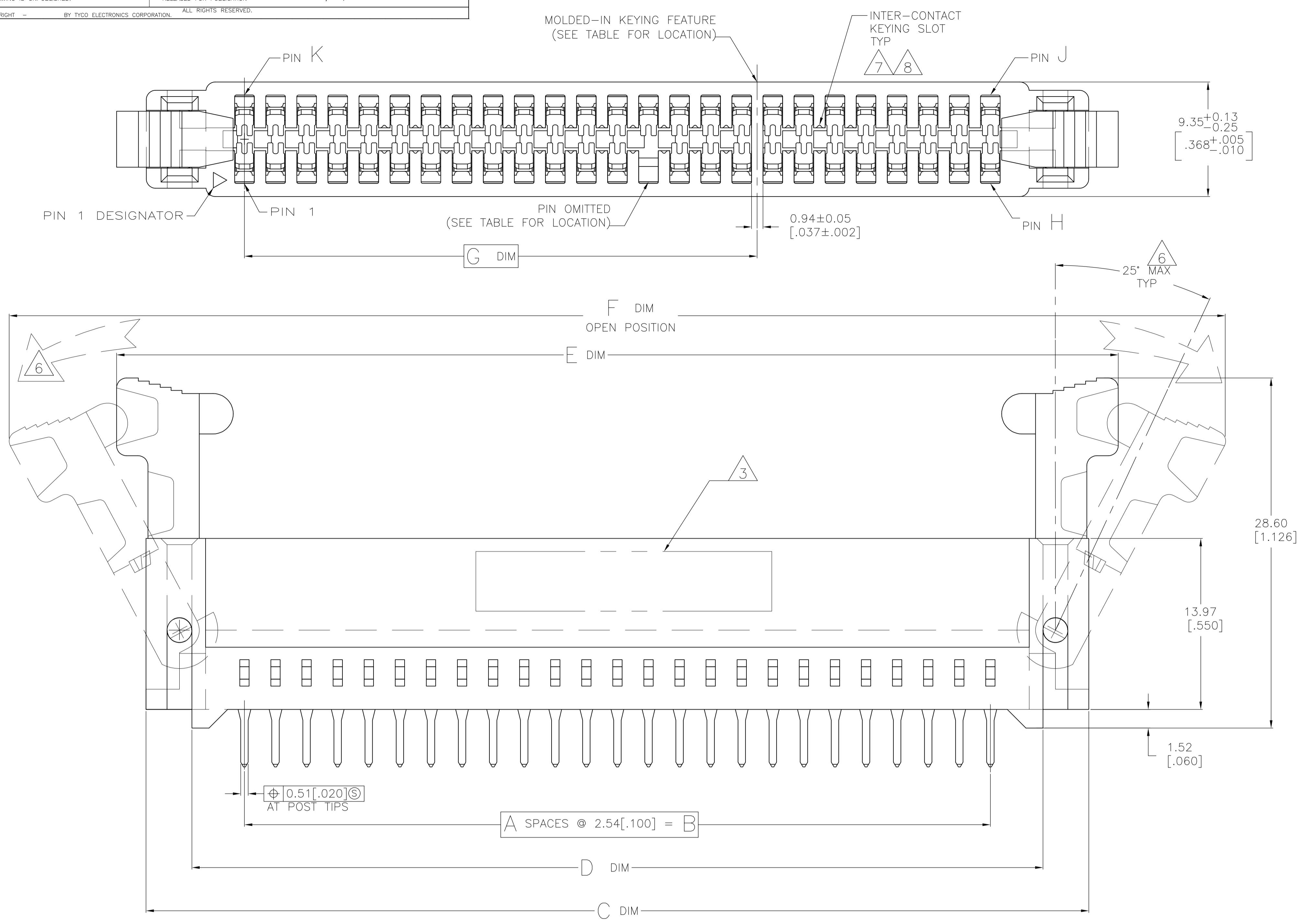
Tel: +86-755-8981 8866 Fax: +86-755-8427 6832

Email & Skype: info@chipsmall.com Web: www.chipsmall.com

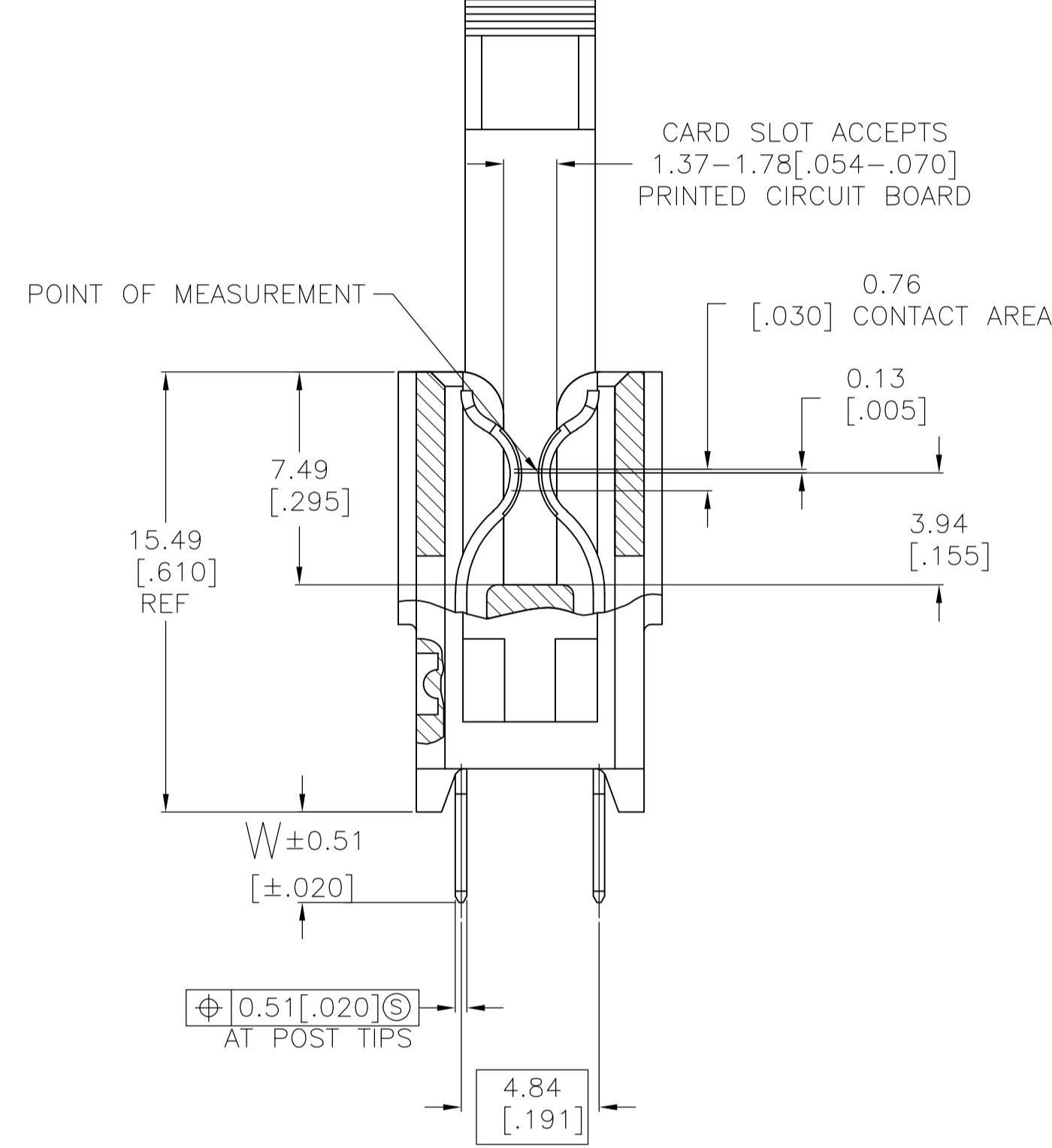
Address: A1208, Overseas Decoration Building, #122 Zhenhua RD., Futian, Shenzhen, China



REVISONS		DATE	BY	APP'D
P	ECO-07-026535	07MAR2008	LAM	AWF
P1	REV PER ECO-09-021826	07JAN10	KK	AEG



- MATERIAL:
HOUSING: GLASS FILLED POLYESTER, COLOR: BLACK.
CONTACT: PHOS BRONZE
LATCH: GLASS FILLED POLYESTER, COLOR: BLACK
- FINISH:
0.00076[.000030] MIN GOLD PLATE IN CONTACT AREA,
0.00254[.000100] MIN TIN-LEAD ON SOLDER POSTS, ALL
OVER 0.00127[.000050] MIN NICKEL
- AMP LOGO, TE PART NUMBER, DATE CODE AND CSA LOGO INK STAMPED WHITE (HOT STAMPED OR LAZER PRINTED) IN THE APPROXIMATE AREA SHOWN, EITHER SIDE PERMISSABLE, WHEN HOUSING SIZE PERMITS
- DATUMS AND BASIC DIMENSIONS ESTABLISHED BY CUSTOMER
- CONNECTORS SHOWN ARE USED IN APPLICATIONS WITH VRM MODULES WEIGHING 3 OUNCES OR LESS. ALTERNATE CONNECTOR AND LATCH METHOD IS AVAILABLE FOR VRM MODULES WEIGHING UP TO 6 OUNCES.
- CAUTION: LATCHES ARE INTENDED FOR RETENTION OF PC BOARD TO CONNECTOR, DO NOT ATTEMPT TO FULLY EJECT PC BOARD FROM CONNECTOR WHILE DISENGAGING LATCHES. DAMAGE TO LATCHES AND/OR CONNECTOR MAY OCCUR
- CONNECTORS WITHOUT MOLDED-IN KEYING FEATURE REQUIRE THE USE OF INTERCONTACT KEY PLUG 650025-2. KEY PLACEMENT WITHIN CONNECTOR AT DISCRETION OF END USER
- KEY SLOT REQUIRED WITH USE OF INTERCONTACT KEY PLUG, LOCATION TO CORRESPOND
- OBsolete PARTS: OBSOLETE CIS STREAMLINING PER D.RENAUD/D.SINISI



SUPERCEDED	3-145459-1
SUPERCEDED	3-145459-0
SUPERCEDED	2-145459-0
SUPERCEDED	1-145459-5
SUPERCEDED	1-145459-4
SUPERCEDED	1-145459-3
OBsolete	145459-7
SUPERCEDED	145459-4

23 & 24	14	3.81 [.150]	31.57 [1.243]	59.51 [2.343]	70	36	35	57.15 [2.250]	123.17 [4.85]	104.9 [4.13]	92.68 [3.649]	100.18 [3.944]	86.36 [3.400]	34	35	2-145459-5
31 & 32	65	3.81 [.150]	11.26 [.443]	79.82 [3.143]	70	36	35	77.46 [3.050]	123.17 [4.85]	104.9 [4.13]	92.68 [3.649]	100.18 [3.944]	86.36 [3.400]	34	35	2-145459-2
27 & 28	67	3.81 [.150]	21.41 [.843]	69.68 [2.743]	70	36	35	67.31 [2.650]	123.17 [4.85]	104.9 [4.13]	92.68 [3.649]	100.18 [3.944]	86.36 [3.400]	34	35	2-145459-1
27 & 28	4	3.18 [.125]	21.41 [.843]	69.68 [2.743]	70	36	35	67.31 [2.650]	123.17 [4.85]	104.9 [4.13]	92.68 [3.649]	100.18 [3.944]	86.36 [3.400]	34	35	1-145459-0
9 & 10	-	3.18 [.125]	41.73 [1.643]	23.95 [.943]	50	26	25	21.59 [.850]	97.76 [3.85]	79.5 [3.13]	67.28 [2.649]	74.78 [2.944]	60.96 [2.400]	24	25	1-145459-9
19 & 20	-	3.18 [.125]	16.33 [.643]	49.35 [1.943]	50	26	25	46.98 [1.850]	97.76 [3.85]	79.5 [3.13]	67.28 [2.649]	74.78 [2.944]	60.96 [2.400]	24	25	145459-6
23 & 24	-	3.18 [.125]	31.57 [1.243]	59.51 [2.343]	70	36	35	57.15 [2.250]	123.17 [4.85]	104.9 [4.13]	92.68 [3.649]	100.18 [3.944]	86.36 [3.400]	34	35	145459-5
7 8	-	3.18 [.125]	7 8	7 8	70	36	35	7 8	123.17 [4.85]	104.9 [4.13]	92.68 [3.649]	100.18 [3.944]	86.36 [3.400]	34	35	145459-2
MOLDED-IN KEYING FEATURE LOCATED BETWEEN PINS	OMITTED PIN AND HOLE	W	P	N	K	J	H	G	F	E	D	C	B	A	NO OF DUAL POSITIONS	PART NUMBER

9 OBSOLETE

THIS DRAWING IS A CONTROLLED DOCUMENT.

DIMENSIONS: mm [INCHES]	TOLERANCES UNLESS OTHERWISE SPECIFIED:	0 PLC ± -	1 PLC ± -	2 PLC ± 0.13 [0.005]	3 PLC ± -	4 PLC ± -	ANGLES ± α
-------------------------	--	-----------	-----------	----------------------	-----------	-----------	------------

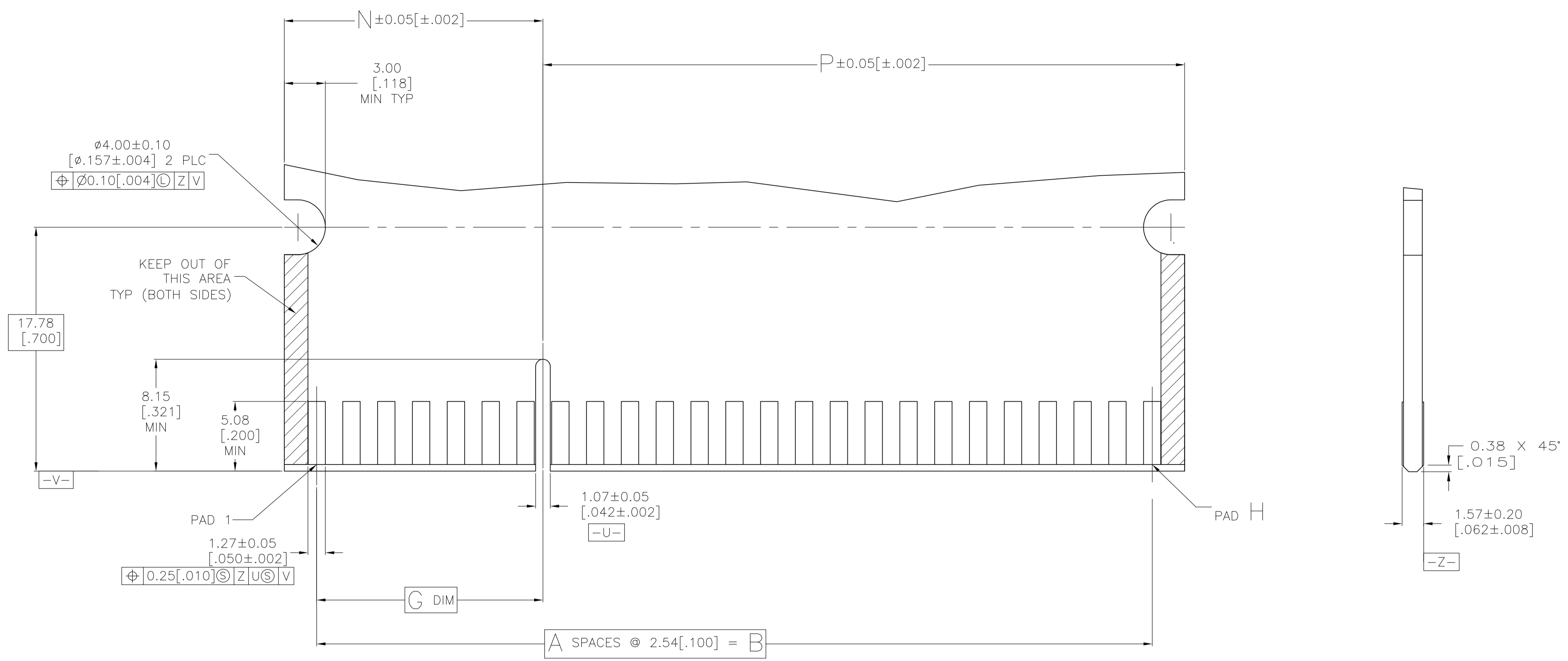
MATERIAL: SEE NOTE 1
FINISH: SEE NOTE 2

THIS DRAWING IS A CONTROLLED DOCUMENT. DIM: MM/L.A.MAYER 07MAR2008
CHK: A.W.FRANTUM 07MAR2008
APP'D: S.FLICKINGER 07MAR2008
NAME: S.FLICKINGER
PRODUCT SPEC: 108-9039
APPLICATION SPEC: 114-13018
WEIGHT: -
CUSTOMER DRAWING

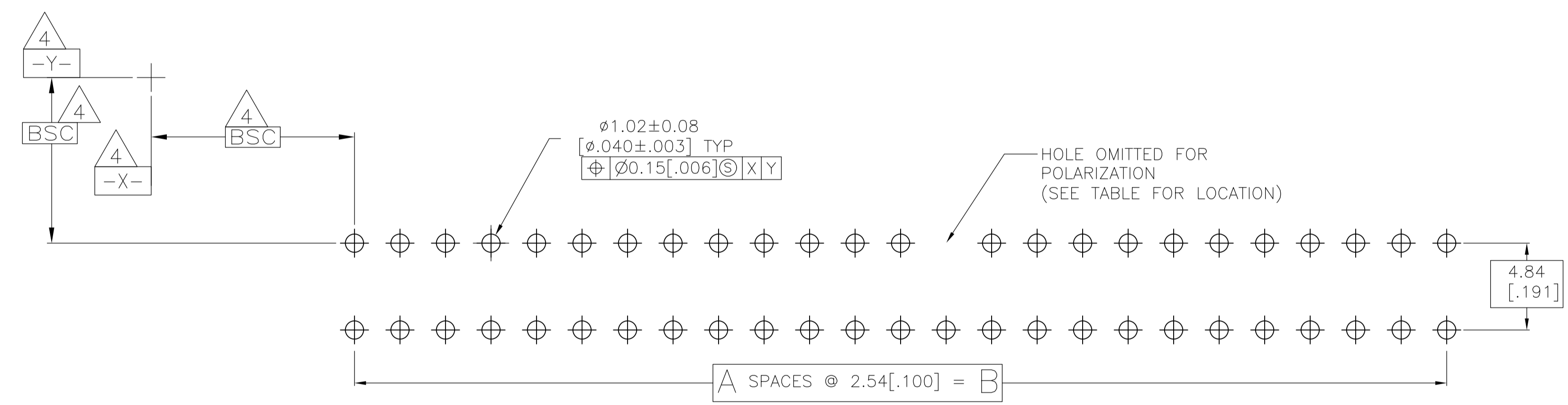
Tyco Electronics Corporation
Harrisburg, PA 17105-3608

CONNECTOR ASSEMBLY, STANDARD EDGE II, 2.54[.100] CENTERLINE

SIZE: A1
CAGE CODE: 00779
DRAWING NO: 145459
SCALE: 5:1
SHEET: 1 OF 2
REV: P1



RECOMMENDED MATING BOARD EDGE CONFIGURATION



RECOMMENDED PC BOARD HOLE LAYOUT

THIS DRAWING IS A CONTROLLED DOCUMENT.		DIN	MM/LA.MAYER	07MAR2008	Tyco Electronics Corporation Harrisburg, PA 17105-3608
		CHK	A.W.FRANTUM	07MAR2008	
DIMENSIONS: mm [INCHES]		TOLERANCES UNLESS OTHERWISE SPECIFIED:		APVD	S.FLICKINGER
				NAME	CONECTOR ASSEMBLY, STANDARD EDGE II, 2.54[.100] CENTERLINE
				PRODUCT SPEC	108-9039
				APPLICATION SPEC	114-13018
MATERIAL SEE NOTE 1		FINISH SEE NOTE 2		WEIGHT	A1 00779 C=145459
				CUSTOMER DRAWING	SCALE 5:1 SHEET 2 OF 2 REV P1