



Chipsmall Limited consists of a professional team with an average of over 10 year of expertise in the distribution of electronic components. Based in Hongkong, we have already established firm and mutual-benefit business relationships with customers from,Europe,America and south Asia,supplying obsolete and hard-to-find components to meet their specific needs.

With the principle of “Quality Parts,Customers Priority,Honest Operation,and Considerate Service”,our business mainly focus on the distribution of electronic components. Line cards we deal with include Microchip,ALPS,ROHM,Xilinx,Pulse,ON,Everlight and Freescale. Main products comprise IC,Modules,Potentiometer,IC Socket,Relay,Connector.Our parts cover such applications as commercial,industrial, and automotives areas.

We are looking forward to setting up business relationship with you and hope to provide you with the best service and solution. Let us make a better world for our industry!



## Contact us

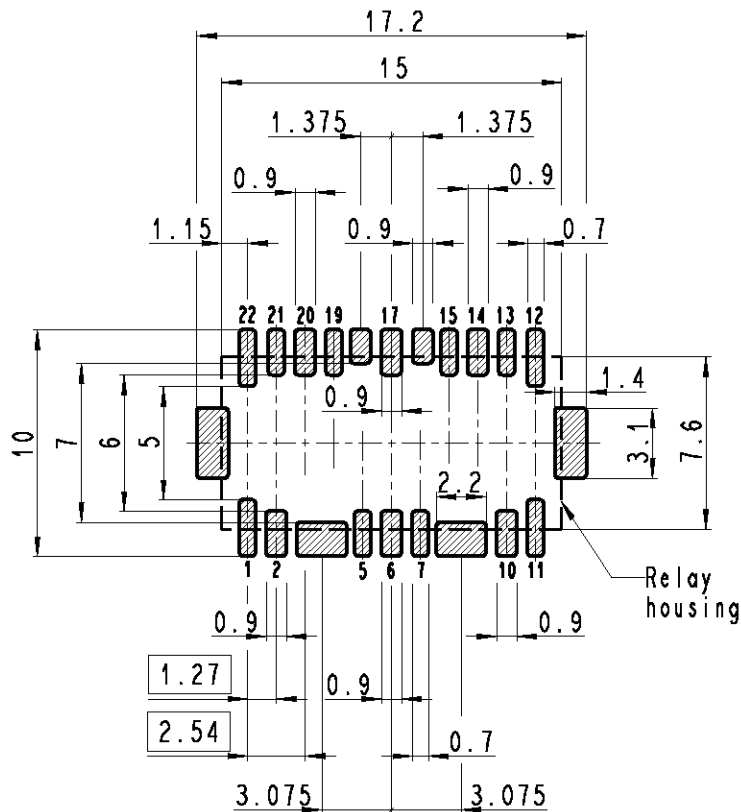
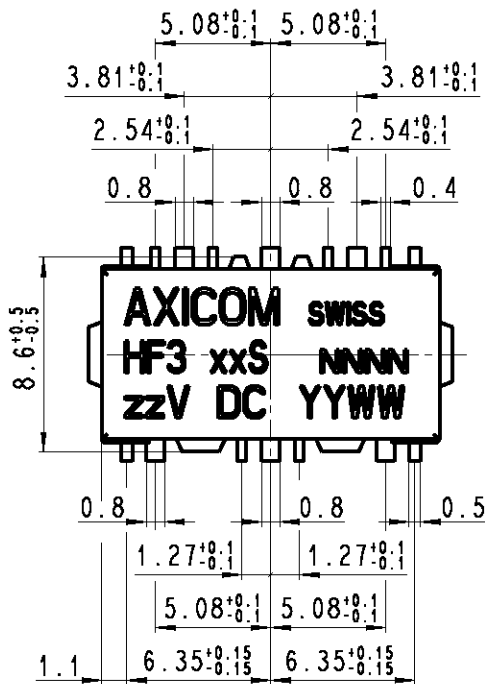
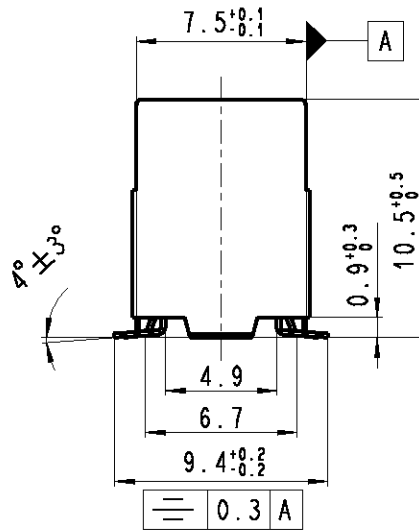
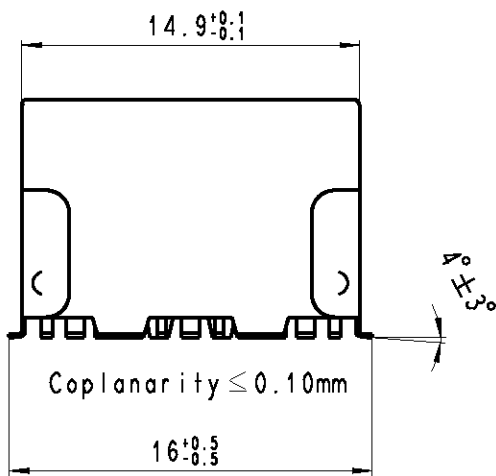
Tel: +86-755-8981 8866 Fax: +86-755-8427 6832

Email & Skype: info@chipsmall.com Web: www.chipsmall.com

Address: A1208, Overseas Decoration Building, #122 Zhenhua RD., Futian, Shenzhen, China



LOC	DIST	REVISIONS					
HJ	-	P	LTR	DESCRIPTION	DATE	DWN	APVD
		F1		REVISED PER ECO-11-005150	25MAR11	RK	HMR



XX = Relay type  
 ZZ = nominal voltage  
 YYWW = Date code  
 NNNN = Lot number

DRAWING ALIAS

RELEASED FOR PUBLICATION

THIS DRAWING IS UNPUBLISHED.

ALL RIGHTS RESERVED.

BY -  
 © COPYRIGHT

DIMENSIONS: mm	DWN	26Jan2007	MATERIAL	FINISH		
	UK 9193		-	-		
TOLERANCES UNLESS OTHERWISE SPECIFIED: DIN 7168-m	CHK	26Jan2007				
	HD 9121					
0 PLC ±- 1 PLC ±- 2 PLC ±- 3 PLC ±- 4 PLC ±- ANGLES ±1°	APVD	26Jan2007	NAME HF3-Relay metal cover 50Ω Dimensions			
	HD 9121					
	PRODUCT SPEC	-	SIZE	CAGE CODE	DRAWING NO	RESTRICTED TO
	APPLICATION SPEC	-	A4	00779	C-1462051-3	-
WEIGHT	-		SCALE 3:1		SHEET 1 OF 1	REV F1
CUSTOMER DRAWING						