



Chipsmall Limited consists of a professional team with an average of over 10 year of expertise in the distribution of electronic components. Based in Hongkong, we have already established firm and mutual-benefit business relationships with customers from,Europe,America and south Asia,supplying obsolete and hard-to-find components to meet their specific needs.

With the principle of “Quality Parts,Customers Priority,Honest Operation,and Considerate Service”,our business mainly focus on the distribution of electronic components. Line cards we deal with include Microchip,ALPS,ROHM,Xilinx,Pulse,ON,Everlight and Freescale. Main products comprise IC,Modules,Potentiometer,IC Socket,Relay,Connector.Our parts cover such applications as commercial,industrial, and automotives areas.

We are looking forward to setting up business relationship with you and hope to provide you with the best service and solution. Let us make a better world for our industry!



Contact us

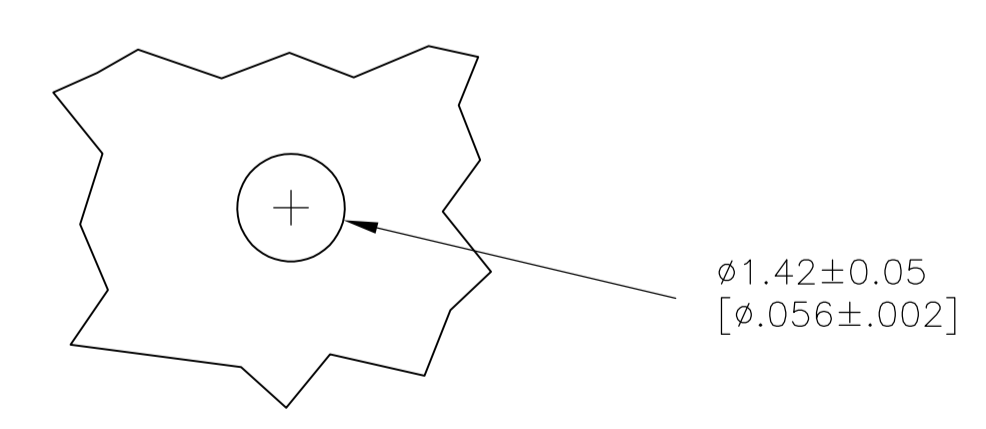
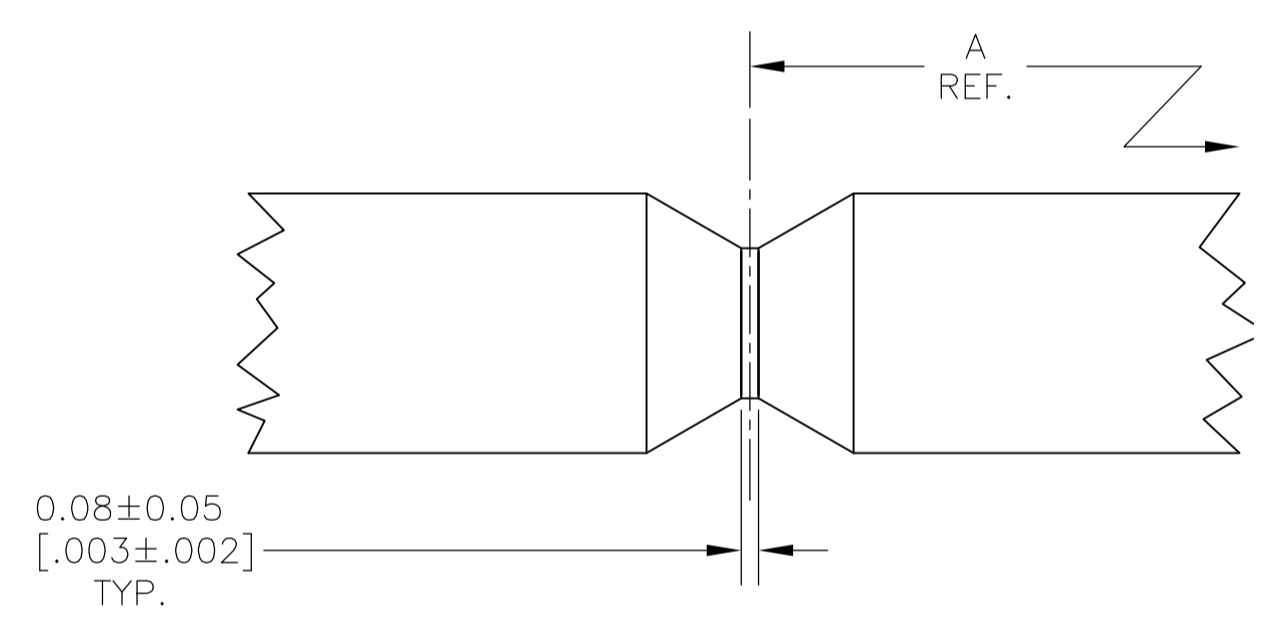
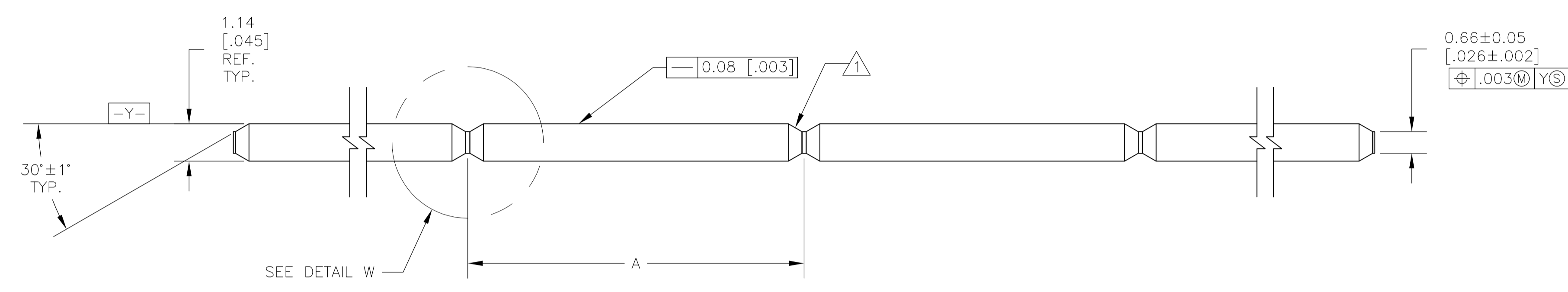
Tel: +86-755-8981 8866 Fax: +86-755-8427 6832

Email & Skype: info@chipsmall.com Web: www.chipsmall.com

Address: A1208, Overseas Decoration Building, #122 Zhenhua RD., Futian, Shenzhen, China



- ① THE NOTCHED EDGES AND POST TIPS WILL NOT BE PLATED.
- ② 0.00254-0.00508 [.000100-.000200] MATTE TIN OVER
0.00127 [.000050] MIN NICKEL.



OBSOLETE	35.56 [1.400]	6-147070-2
	25.40 [1.000]	6-147070-1
	25.15 [.990]	6-147070-0
	24.89 [.980]	5-147070-9
	24.64 [.970]	5-147070-8
	24.38 [.960]	5-147070-7
	24.13 [.950]	5-147070-6
	23.88 [.940]	5-147070-5
	23.62 [.930]	5-147070-4
	23.37 [.920]	5-147070-3
	23.11 [.910]	5-147070-2
	22.86 [.900]	5-147070-1
	22.61 [.890]	5-147070-0
	22.35 [.880]	4-147070-9
	22.10 [.870]	4-147070-8
	21.84 [.860]	4-147070-7
	21.59 [.850]	4-147070-6
	21.34 [.840]	4-147070-5
	21.08 [.830]	4-147070-4
	20.83 [.820]	4-147070-3
	20.57 [.810]	4-147070-2
	20.32 [.800]	4-147070-1
	20.07 [.790]	4-147070-0
	19.81 [.780]	3-147070-9
	19.56 [.770]	3-147070-8
	19.30 [.760]	3-147070-7
	19.05 [.750]	3-147070-6
	18.80 [.740]	3-147070-5
	18.54 [.730]	3-147070-4
	18.28 [.720]	3-147070-3
	18.03 [.710]	3-147070-2
	17.78 [.700]	3-147070-1
	17.53 [.690]	3-147070-0
	17.27 [.680]	2-147070-9
	17.02 [.670]	2-147070-8
	16.76 [.660]	2-147070-7
	16.51 [.650]	2-147070-6
	16.26 [.640]	2-147070-5
	16.00 [.630]	2-147070-4
	15.75 [.620]	2-147070-3
	15.49 [.610]	2-147070-2
	15.24 [.600]	2-147070-1
	14.99 [.590]	2-147070-0
	14.73 [.580]	1-147070-9
	14.48 [.570]	1-147070-8
	14.22 [.560]	1-147070-7
	13.97 [.550]	1-147070-6
	13.72 [.540]	1-147070-5
	13.46 [.530]	1-147070-4
	13.21 [.520]	1-147070-3
	12.95 [.510]	1-147070-2
	12.70 [.500]	1-147070-1
	12.45 [.490]	1-147070-0
	12.19 [.480]	147070-9
	11.94 [.470]	147070-8
	11.68 [.460]	147070-7
	11.43 [.450]	147070-6
	11.18 [.440]	147070-5
	10.92 [.430]	147070-4
	10.67 [.420]	147070-3
	10.41 [.410]	147070-2
	10.16 [.400]	147070-1
	A	PART NO.

THIS DRAWING IS A CONTROLLED DOCUMENT.		DIN B HAYMAKER 23JUN00		Tyco Electronics Corporation	
DIMENSIONS: INCHES		CHK M CHIANG 4SEP98		Harrisburg, Pa 17105-3608	
TOLERANCES UNLESS OTHERWISE SPECIFIED:		APVD M CHIANG 4SEP98		NAME .045 SQUARE CONTINUOUS POST, TIN	
0 PLC ± -		PRODUCT SPEC		APPLICATION SPEC	
1 PLC ± -		SIZE 114-13011		RESTRICTED TO	
2 PLC ± -		WEIGHT -		A1 00779 147070	
3 PLC ± 0.1X(.005)		CUSTOMER DRAWING		SCALE 10:1 SHEET 1 OF 1 REV J	
4 PLC ± -					
ANGLES ± -					
FINISH ②					