



Chipsmall Limited consists of a professional team with an average of over 10 year of expertise in the distribution of electronic components. Based in Hongkong, we have already established firm and mutual-benefit business relationships with customers from,Europe,America and south Asia,supplying obsolete and hard-to-find components to meet their specific needs.

With the principle of "Quality Parts,Customers Priority,Honest Operation,and Considerate Service",our business mainly focus on the distribution of electronic components. Line cards we deal with include Microchip,ALPS,ROHM,Xilinx,Pulse,ON,Everlight and Freescale. Main products comprise IC,Modules,Potentiometer,IC Socket,Relay,Connector.Our parts cover such applications as commercial,industrial, and automotives areas.

We are looking forward to setting up business relationship with you and hope to provide you with the best service and solution. Let us make a better world for our industry!



Contact us

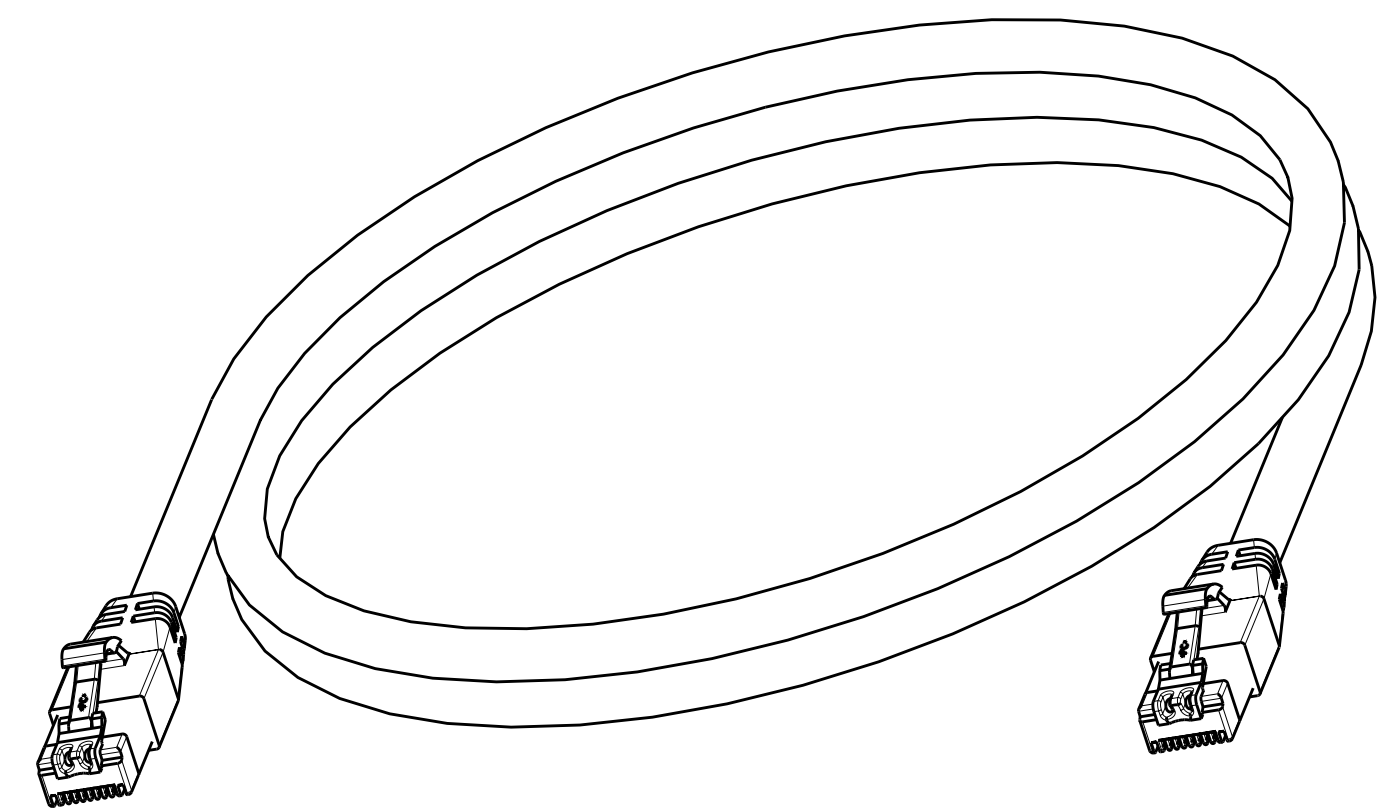
Tel: +86-755-8981 8866 Fax: +86-755-8427 6832

Email & Skype: info@chipsmall.com Web: www.chipsmall.com

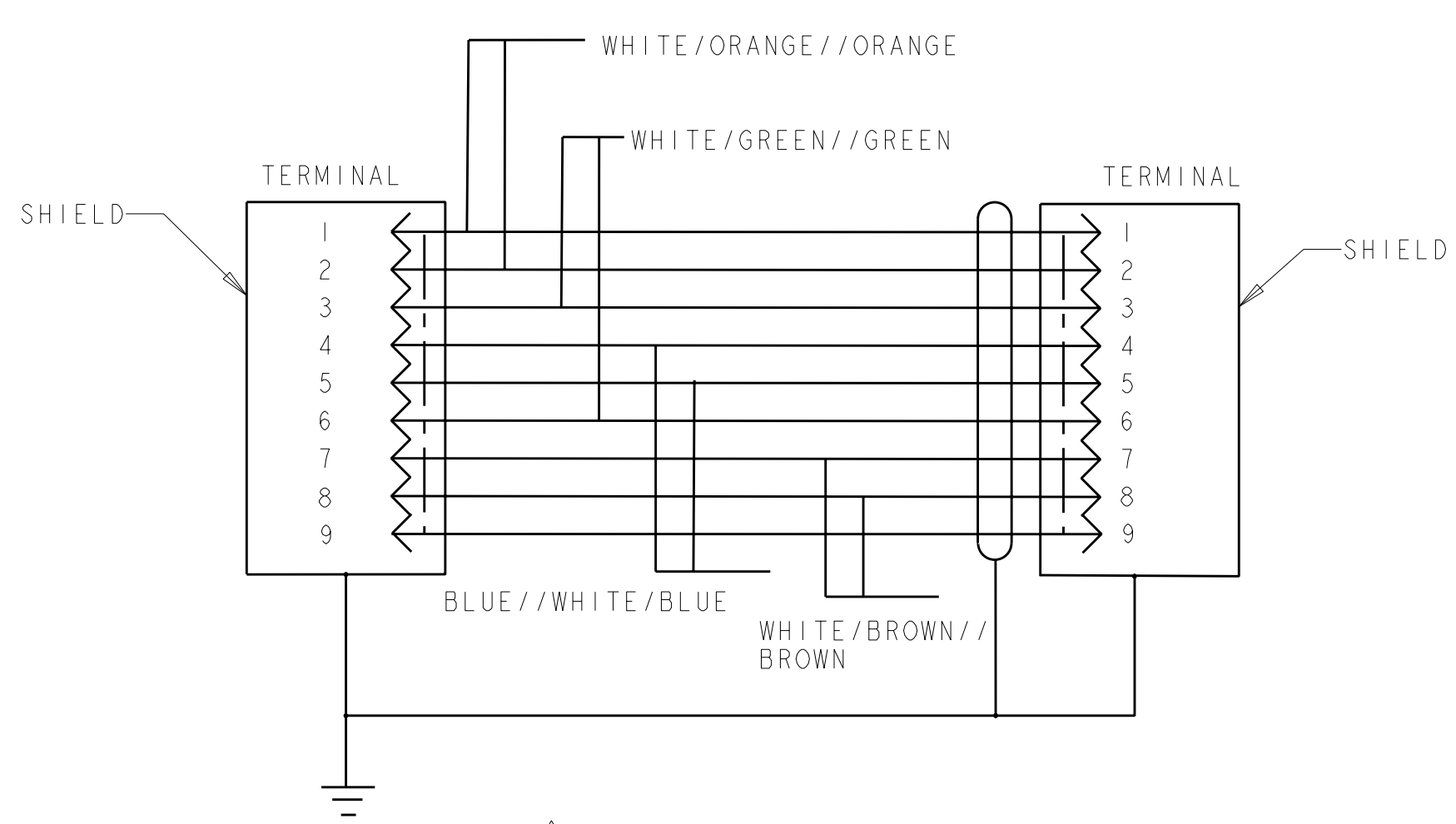
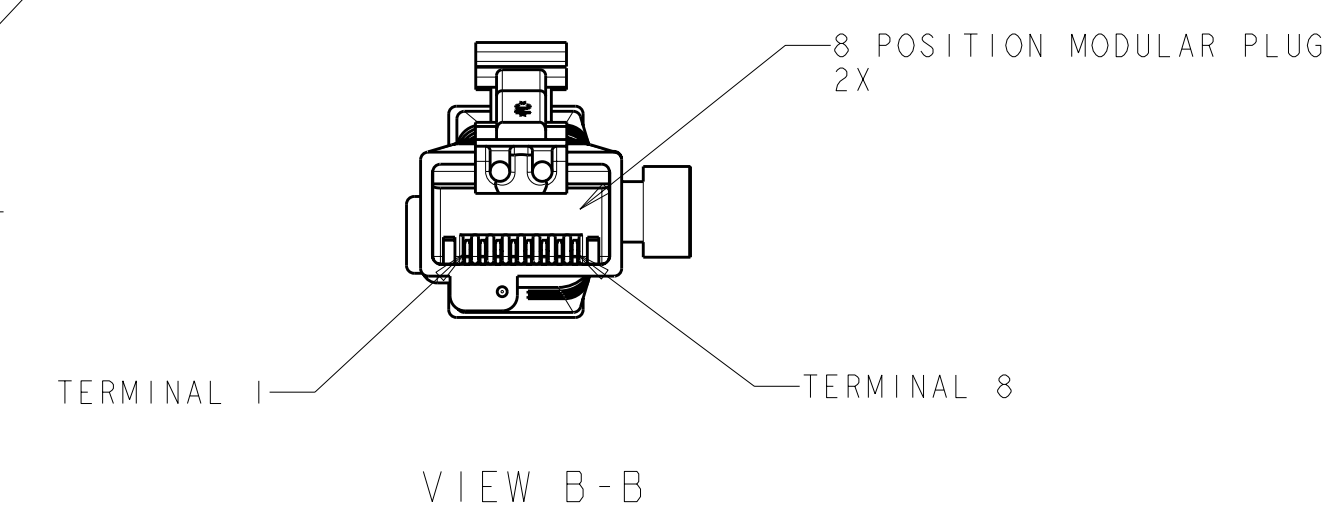
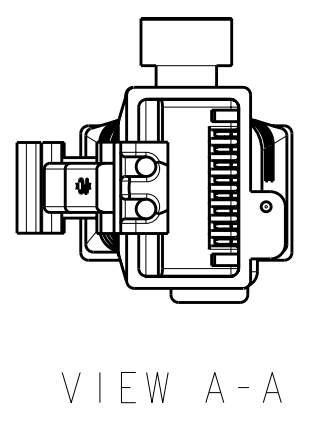
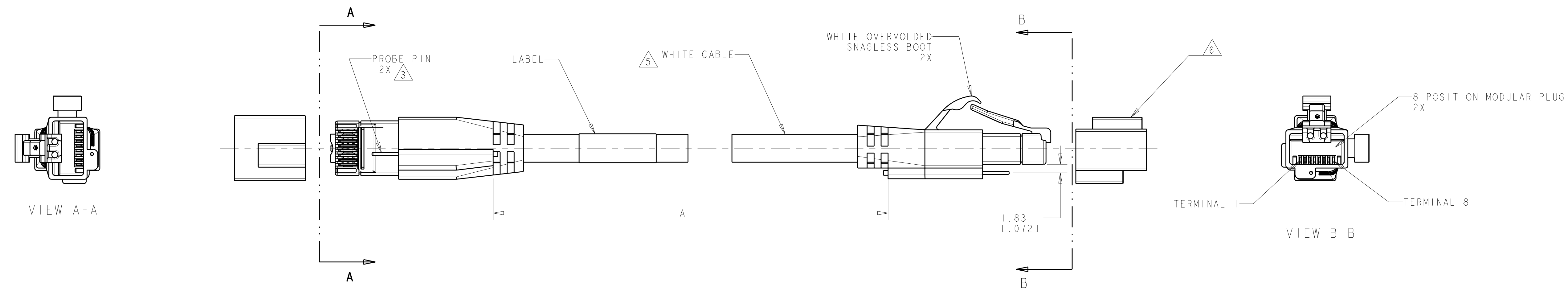
Address: A1208, Overseas Decoration Building, #122 Zhenhua RD., Futian, Shenzhen, China



LOC	DIST	REVISIONS			
HM	00	REV	DATE	BY	APP'D
		A	NSD05-105	21OCT2005	JM MD
		B	REV; ECO-07-005781	19MAR2007	GG JC
		C	REV ECO-10-008531	23APR2010	LH DC



- 1 CABLE ASSEMBLY SHALL BE WIRED PER WIRING DIAGRAM.
- 2. FINAL ASSEMBLY SHALL BE TIA 568C.2 CAT. 6A COMPLIANT.
- 3 PROBE PINS ARE CONNECTED BY 9TH WIRE IN CABLE.
- 4 DIMENSIONS ARE MAXIMUM.
- 5 CABLE OUTSIDE DIAMETER IS 7.1 MM NOMINAL AND FOR REFERENCE ONLY.
- 6 PROTECTIVE CAPS TO BE REMOVED PRIOR TO MATING WITH MODULAR JACK, SHIPPED WITH CAPS INSTALLED.



WIRING DIAGRAM 568B

35	10922.0 [430.00]	3-1499740-5
25	7874.0 [310.00]	2-1499740-5
16	5130.8 [202.00]	1-1499740-6
14	4521.2 [178.00]	1-1499740-4
10	3251.2 [128.00]	1-1499740-0
9	2895.6 [114.00]	1499740-9
7	2286.0 [90.00]	1499740-7
5	1676.4 [66.00]	1499740-5
4	1371.6 [54.00]	1499740-4
3	1066.8 [42.00]	1499740-3
2	762.0 [30.00]	1499740-2
FEET, REF	A 4	PART NO.

DIMENSIONS: MM [INCH] 		TOLERANCES UNLESS OTHERWISE SPECIFIED: 9 PLC ± .4 5 PLC ± .3 4 PLC ± .2 ANGLES ± .5		DWN J MCNEAL 21OCT2005 CHK M DELPHIAS 21OCT2005 APVD M DELPHIAS 21OCT2005		Tyco Electronics Harrisburg, Pa., 17105-3608	
MATERIAL: - FINISH: -		PRODUCT SPEC: - APPLICATION SPEC: - WEIGHT: -		NAME: PATCH CORD, AMPTRAC, CAT6A PiMF SHIELDED, CM, WHITE SIZE: A1 CAGE CODE: 00779 DRAWING NO: C-1499740		RESTRICTED TO: - SCALE: 1:1 SHEET: 1 OF 1 REV: C	
CUSTOMER DRAWING							