



Chipsmall Limited consists of a professional team with an average of over 10 year of expertise in the distribution of electronic components. Based in Hongkong, we have already established firm and mutual-benefit business relationships with customers from,Europe,America and south Asia,supplying obsolete and hard-to-find components to meet their specific needs.

With the principle of “Quality Parts,Customers Priority,Honest Operation,and Considerate Service”,our business mainly focus on the distribution of electronic components. Line cards we deal with include Microchip,ALPS,ROHM,Xilinx,Pulse,ON,Everlight and Freescale. Main products comprise IC,Modules,Potentiometer,IC Socket,Relay,Connector.Our parts cover such applications as commercial,industrial, and automotives areas.

We are looking forward to setting up business relationship with you and hope to provide you with the best service and solution. Let us make a better world for our industry!



Contact us

Tel: +86-755-8981 8866 Fax: +86-755-8427 6832

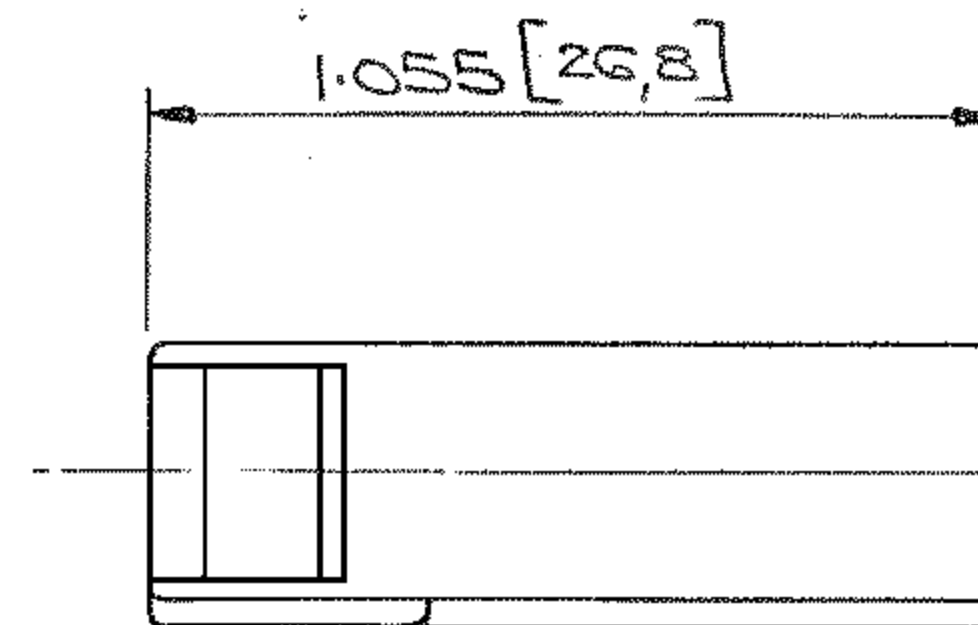
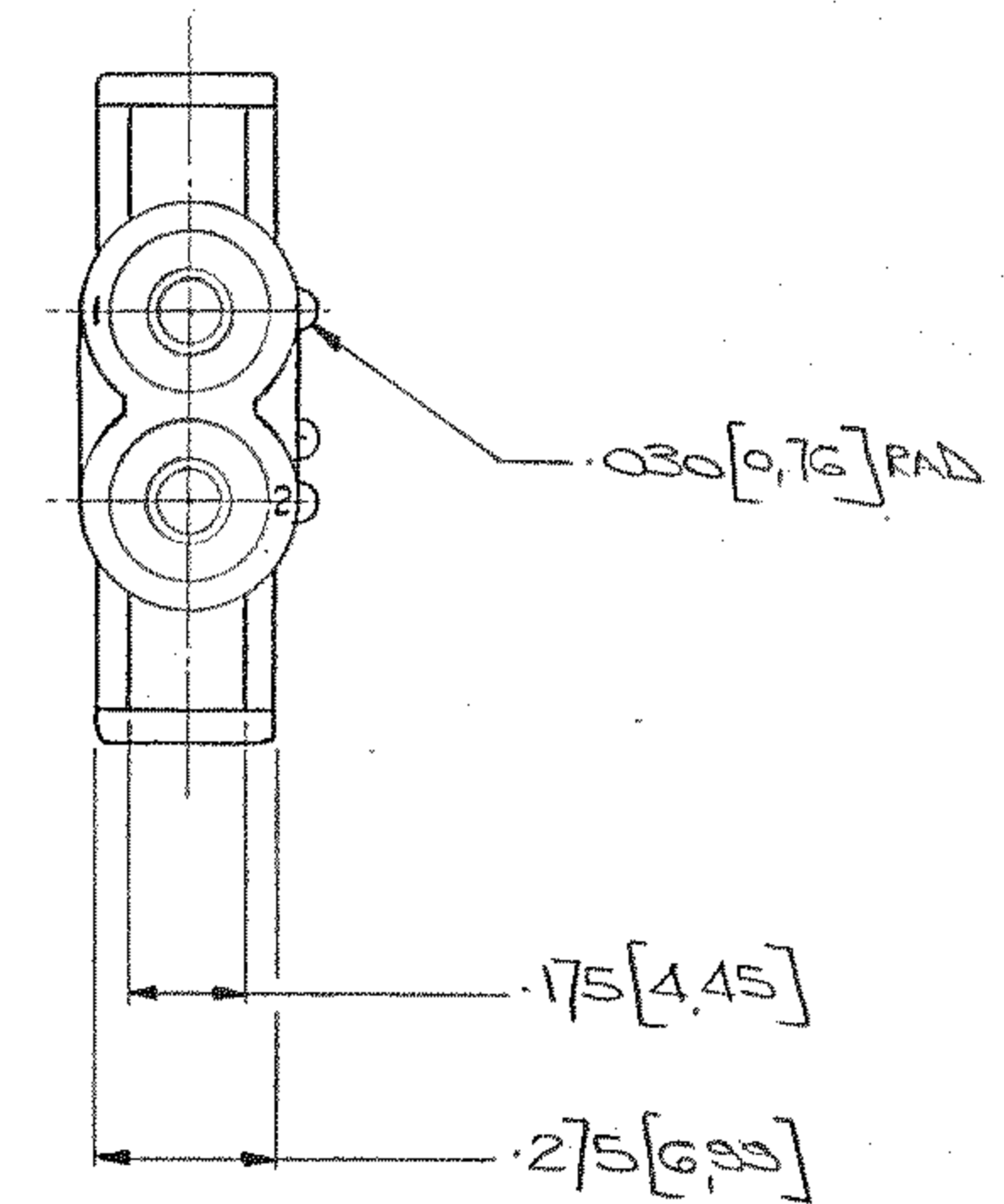
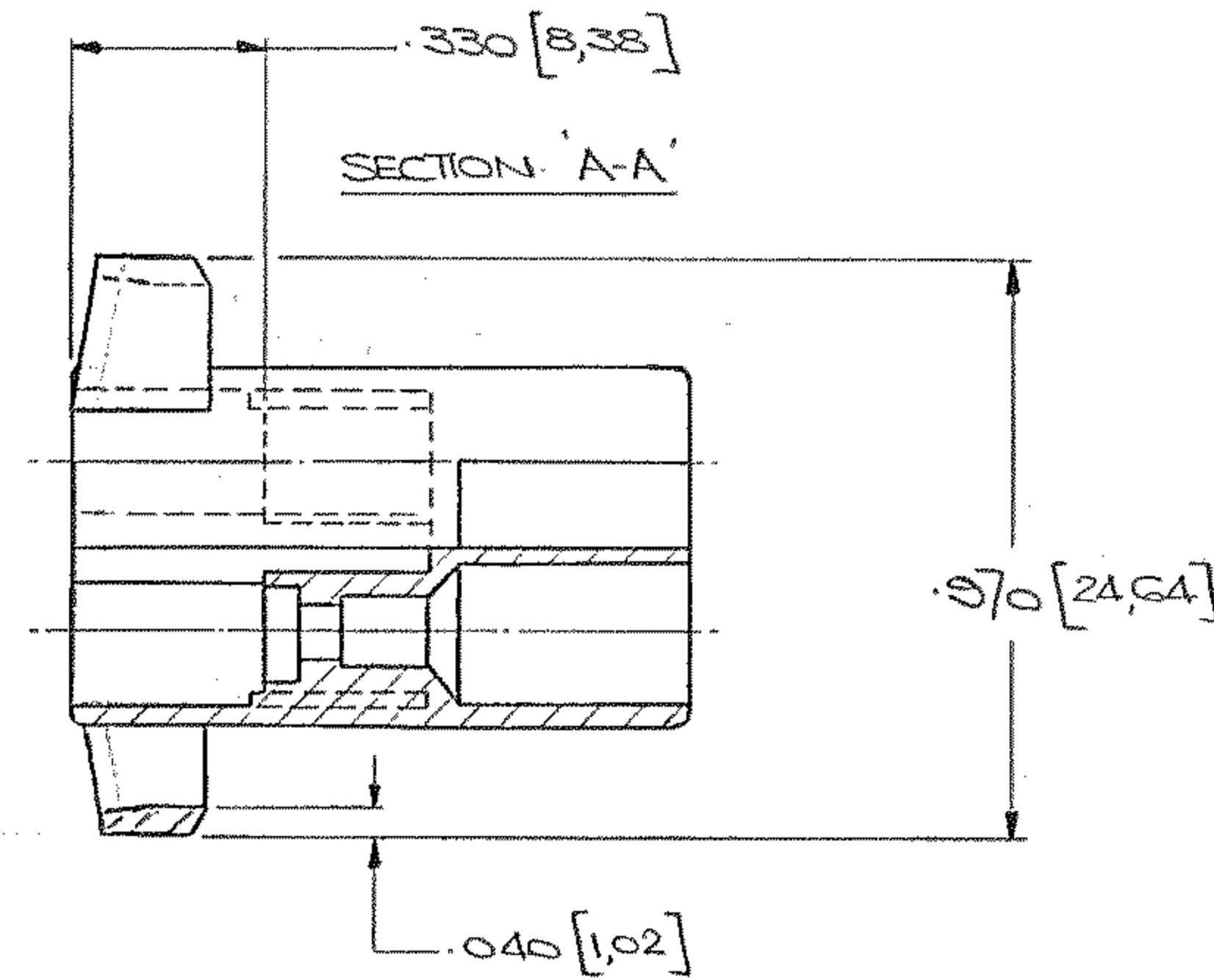
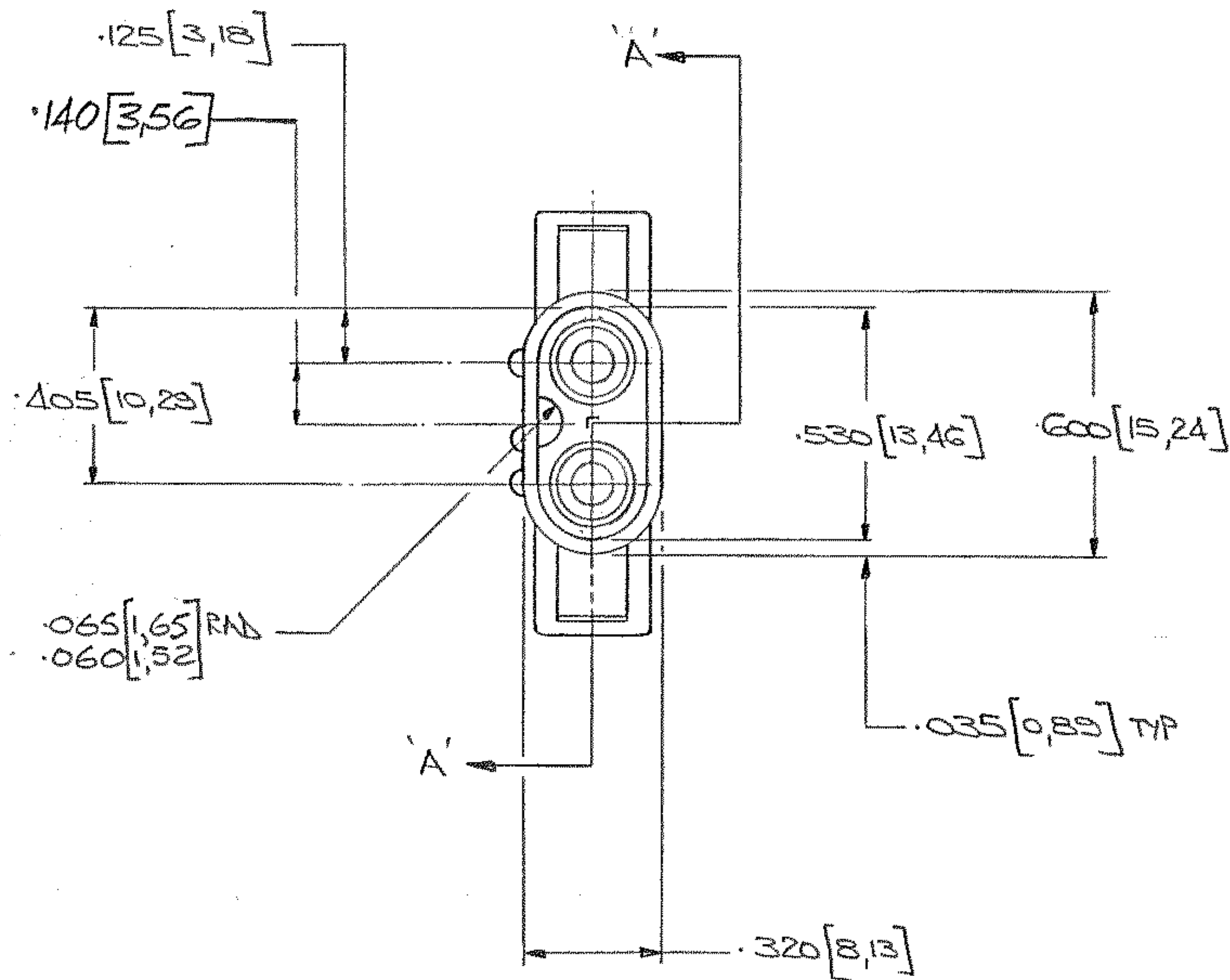
Email & Skype: info@chipsmall.com Web: www.chipsmall.com

Address: A1208, Overseas Decoration Building, #122 Zhenhua RD., Futian, Shenzhen, China



1 OBSOLETE PARTS: OBSOLETE CIS STREAMLINING PER
D.RENAUD/D.SINISI

NUMBER
C 151679



	2-151679-0	NATURAL	NYLON TO UL94 V0
OBSOLETE	1-151679-0	NATURAL	NYLON TO UL94 V0
	151679-9	BLACK	NYLON 6-6
	-8	GREY	↑
	-7	VIOLET	
OBSOLETE	-6	BLUE	
OBSOLETE	-5	GREEN	
OBSOLETE	-4	YELLOW	
	-3	ORANGE	
OBSOLETE	-2	RED	
	-1	BROWN	
	151679-0	NATURAL	NYLON 6-6
	PART NUMBER	COLOR	MATL.

M2 ECR-10-022530					KK HMR		02FEB11		MATERIAL AND FINISH SEE TABLE		CUSTOMER COPY REFERENCE ONLY		
M1 REVISED PER ECO-09-022178					KK		22/09/09		CLASS		TE Connectivity		
M ECR-07-011558					MG		16/05/07		WIRE -- RANGE -- INSULATION		TYPE		
LTR REVISION RECORD					DR		CHK		DATE		TOLERANCE EXCEPT AS NOTED ± .015 [0,4] ± 1° 0'		
DR <i>LeRoux</i>					DATE <i>7.4.09</i>		APP <i>[Signature]</i>		SCALE 2-1		LOC E		
CHK <i>D. Stuber</i>					DATE <i>8/1/07</i>		APP <i>[Signature]</i>		NO G-151679		REV M2		
NAME												2-WAY MATE-N-LOK PIN HOUSING	

PRINT DIST.