



Chipsmall Limited consists of a professional team with an average of over 10 year of expertise in the distribution of electronic components. Based in Hongkong, we have already established firm and mutual-benefit business relationships with customers from,Europe,America and south Asia,supplying obsolete and hard-to-find components to meet their specific needs.

With the principle of “Quality Parts,Customers Priority,Honest Operation,and Considerate Service”,our business mainly focus on the distribution of electronic components. Line cards we deal with include Microchip,ALPS,ROHM,Xilinx,Pulse,ON,Everlight and Freescale. Main products comprise IC,Modules,Potentiometer,IC Socket,Relay,Connector.Our parts cover such applications as commercial,industrial, and automotives areas.

We are looking forward to setting up business relationship with you and hope to provide you with the best service and solution. Let us make a better world for our industry!



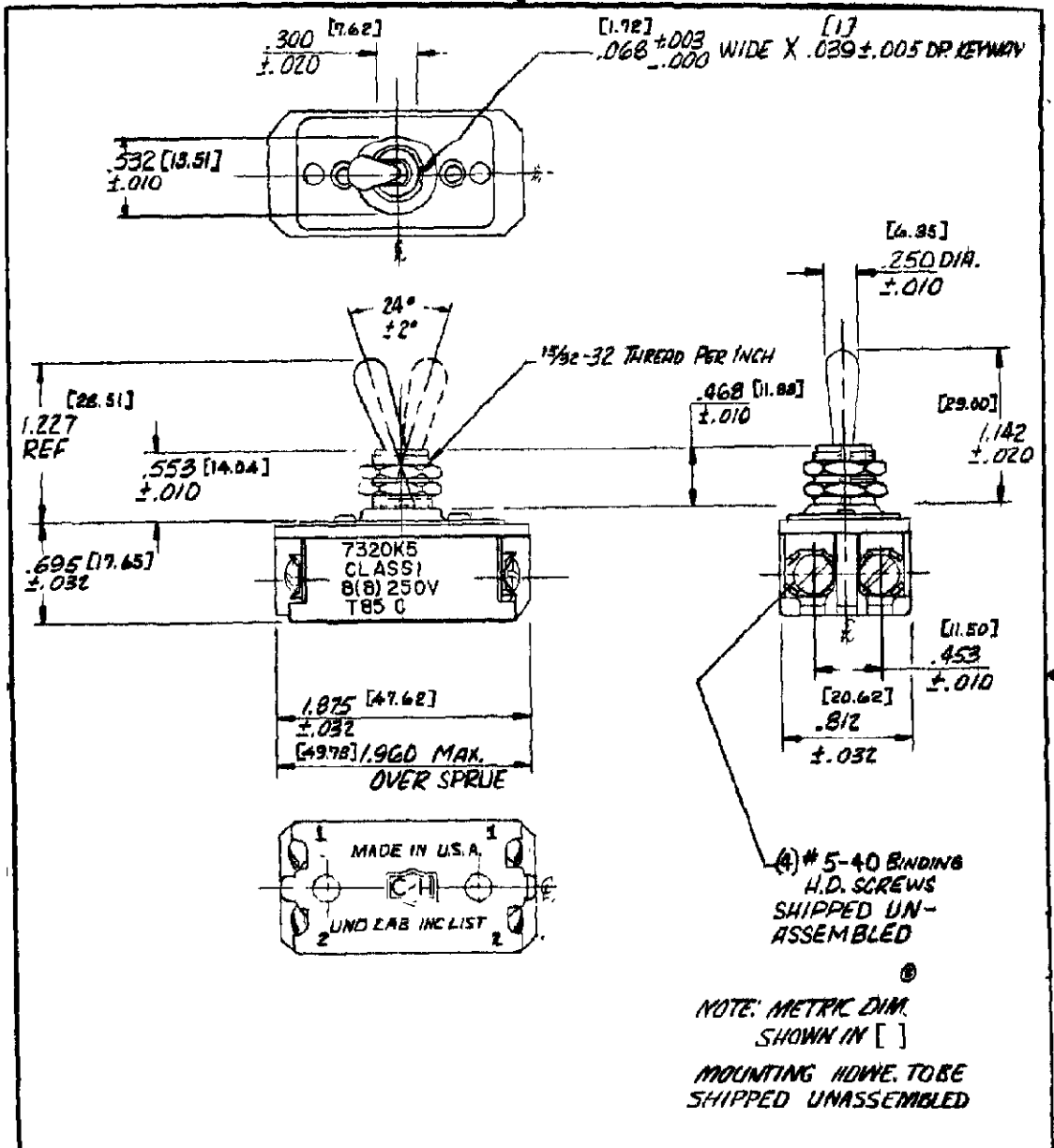
Contact us

Tel: +86-755-8981 8866 Fax: +86-755-8427 6832

Email & Skype: info@chipsmall.com Web: www.chipsmall.com

Address: A1208, Overseas Decoration Building, #122 Zhenhua RD., Futian, Shenzhen, China

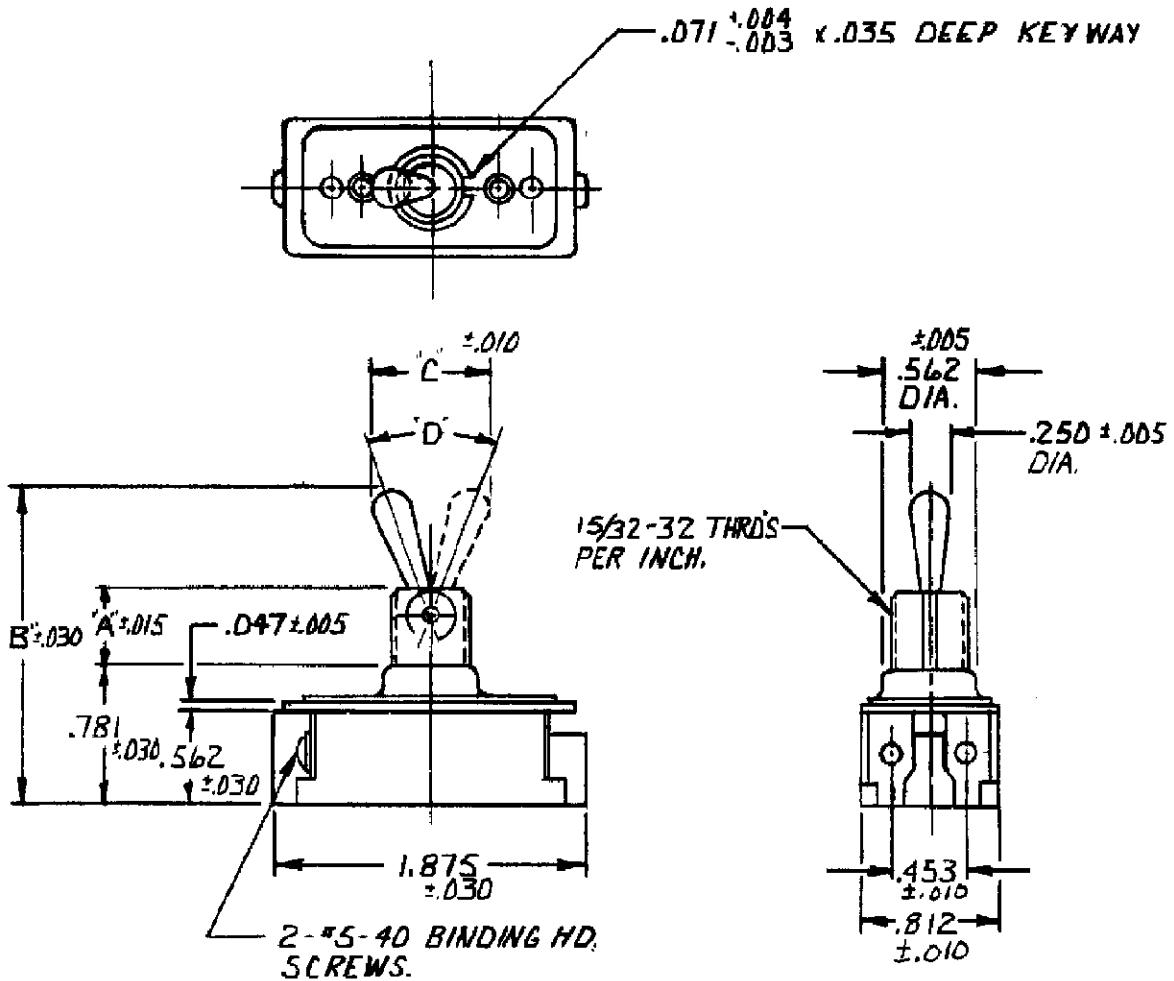




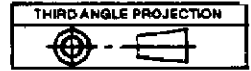
TITLE DIMENSIONS FOR DBL. POLE TOOL HD/L SW. FOR EUROPEAN USE

ORDER NO.	702R575014		BASIC SPECS. SUMMARY			
			M. R. P.G. 11-26-76	DR MICHAEL WHITEO 1/8/76	APP Richard Sandoz	
			702R575014			
A	REVISED PER ECO-11-005294	18APR11	HMR	CHK. J. SMITH	1-14-76	1520237
LTR	REVISION RECORD	DATE	CHK			REV A





37 $\frac{1}{2}$ °	7321	.469	1.922	.719
50°+ 4°	7321	.344	1.766	.844
"D"	CAT. NO.	A	B	C



TITLE DIMENSIONS FOR SINGLE POLE ONE HANDLE MTG. TOOL HANDLE SWITCH.

ORDER NO. 9310N10 BASIC SPECS. SUMMARY

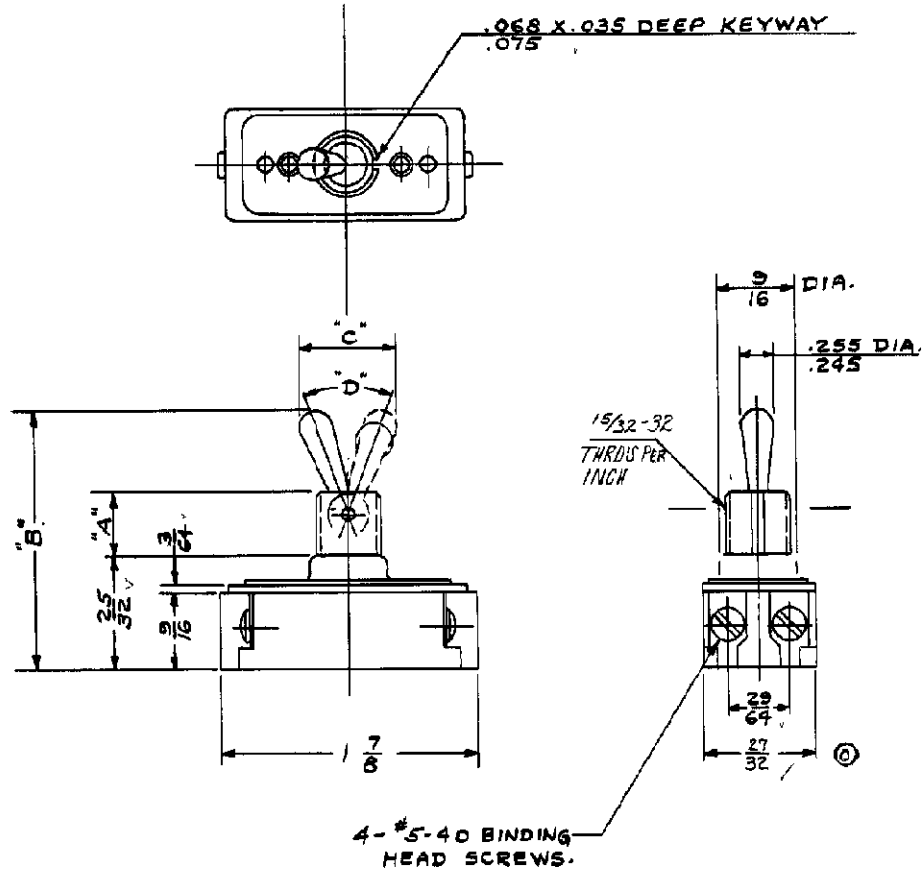
DR.	JEFF BROTHERS	11/27/04	APP.	Bill Newland
CHK.	GLENN STORV	11/27/04		1520237
			REV	A

SEE SHEET 1



1520237

RAW MAT SPEC WITH
PART NO AND AMOUNT REQ'D.



37°±4°	7320	15/32	159/64	21/32
50°±4°	7320	11/32	149/64	21/32
"D"	CAT. NO.	A	B	C

BULLETIN
DIMENSIONS FOR ~~ONE HOLE MTG. TOOL HANDLE SWITCH~~, ONE HOLE MTG. TOOL HANDLE SWITCH

DR. <i>E. R. Leonard</i>	11/14/40	1520237
CHKD. <i>J. P. Pacla</i>	10/14/40	SUP. B.
AP. <i>J. P. Pacla</i>	10/15/40	NON-INTERCHANGEABLE
		SUP. D BY
		NON-INTERCHANGEABLE
		SURFACE COATING
DO NOT SCALE DRAWING. WORK ACCORDING TO DIMENSIONS.		SCALE 1" = 1"
STANDARD TOLERANCES 90-275 APPLY TO DIMENSIONS FOR WHICH TOLERANCES ARE NOT SPECIFIED.		
SEE SHEET 1	ORDER NO.	REV
STE TE Connectivity	DEV. 4041-10	A

FORM NO. 7
DIMENSION ON TV INSTR. 15-40
MAY 1963 EDITION