



Chipsmall Limited consists of a professional team with an average of over 10 year of expertise in the distribution of electronic components. Based in Hongkong, we have already established firm and mutual-benefit business relationships with customers from,Europe,America and south Asia,supplying obsolete and hard-to-find components to meet their specific needs.

With the principle of "Quality Parts,Customers Priority,Honest Operation,and Considerate Service",our business mainly focus on the distribution of electronic components. Line cards we deal with include Microchip,ALPS,ROHM,Xilinx,Pulse,ON,Everlight and Freescale. Main products comprise IC,Modules,Potentiometer,IC Socket,Relay,Connector.Our parts cover such applications as commercial,industrial, and automotives areas.

We are looking forward to setting up business relationship with you and hope to provide you with the best service and solution. Let us make a better world for our industry!



Contact us

Tel: +86-755-8981 8866 Fax: +86-755-8427 6832

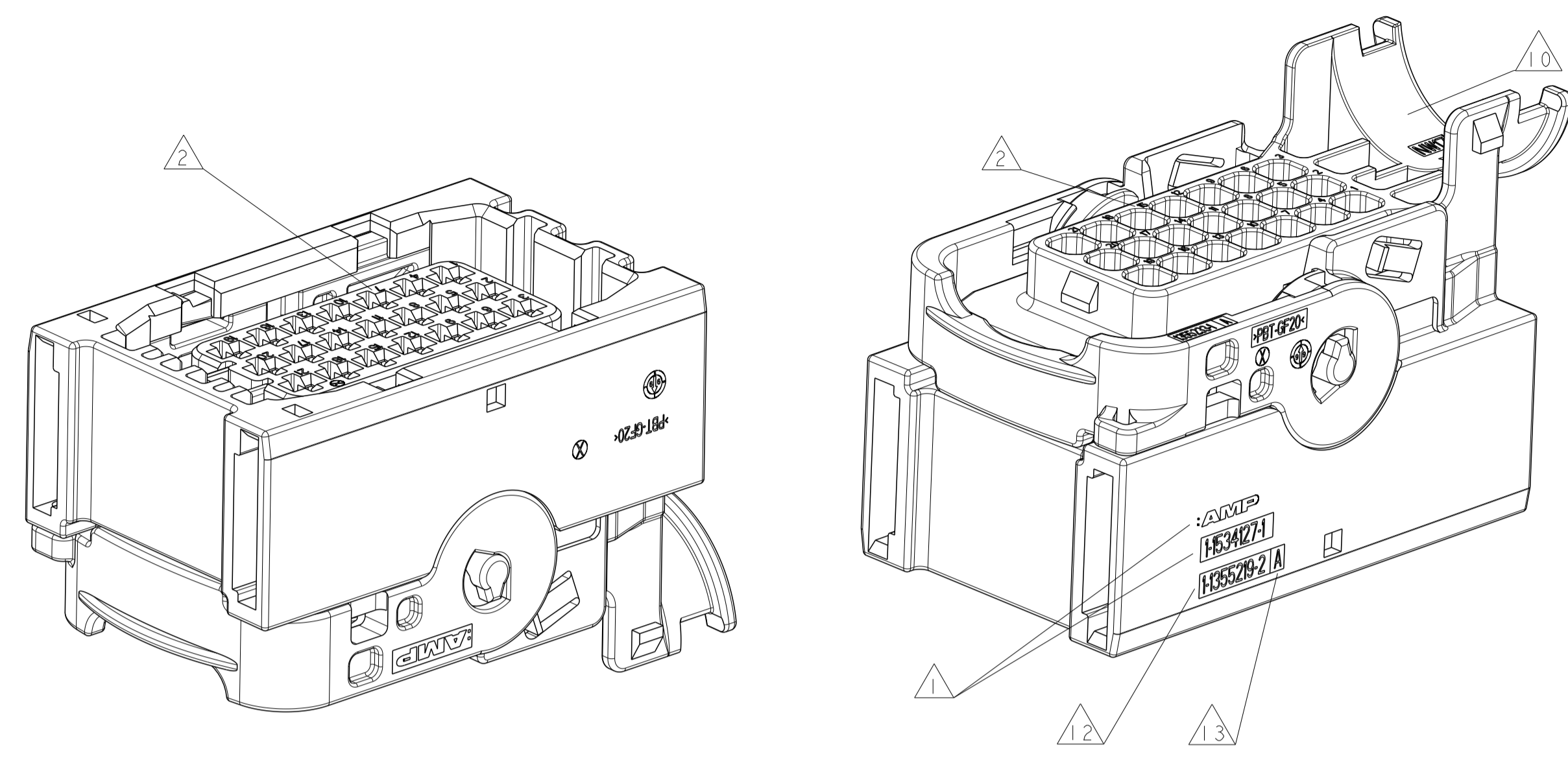
Email & Skype: info@chipsmall.com Web: www.chipsmall.com

Address: A1208, Overseas Decoration Building, #122 Zhenhua RD., Futian, Shenzhen, China



WAS EGAUT01149-0004
 wqr

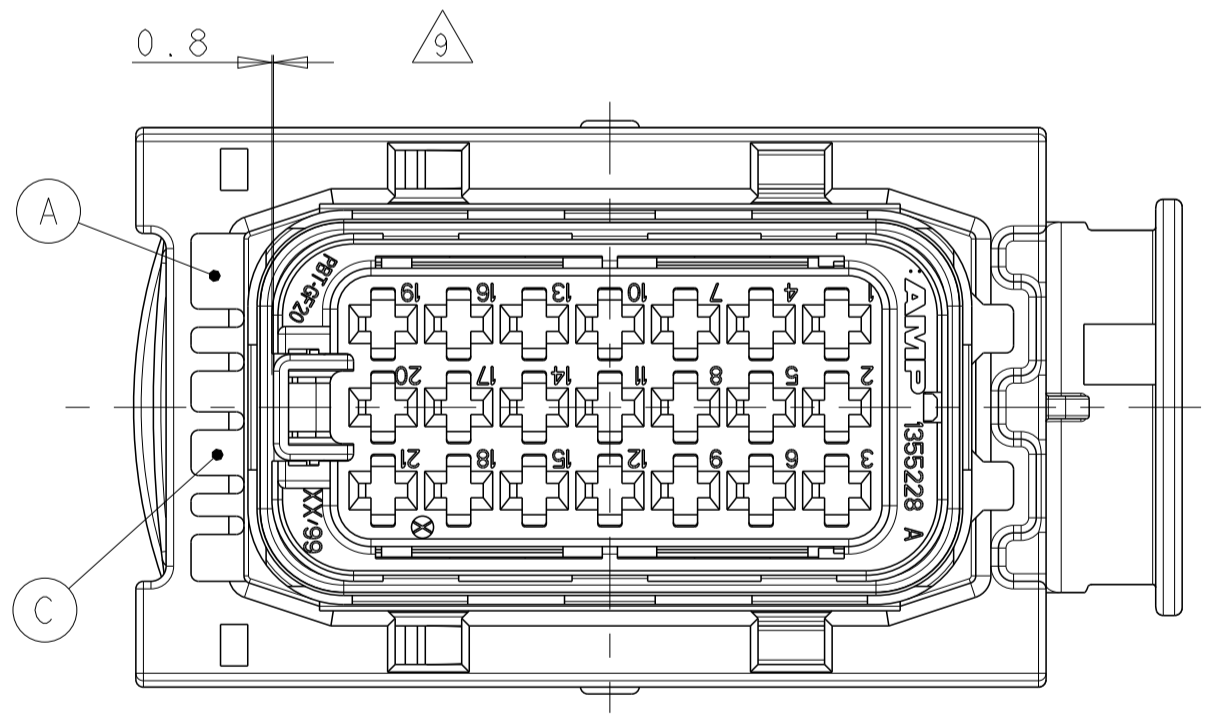
LOC	DIST	REV	LTN	REVISIONS ÄNDERUNGEN DESCRIPTION BESCHREIBUNG	DATE	DWN	APVD
A1	-	C1		REVISED PER ECO-11-005150	30MAR2011	RK	HMR
		C2		NOTE 1 CHANGED SEE PCN E-13-003417	22FEB2013	RD	JG



PN 1-1534127-1
 CODING **A** (GROOVES A-C) AS SHOWN
 Kodierung **A** (Nuten A-C) wie gezeigt

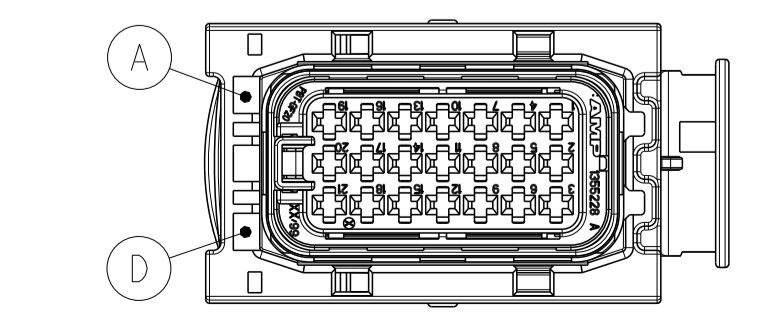
DELIVERY CONDITION:
Lieferzustand:

SECONDARY LOCKING DEVICE IN PRE-LOCKED POSITION,
 LEVER IN LOCKED POSITION.
 Zweite Kontaktsicherung in Vorraststellung,
 Hebel in Verriegelungsstellung.

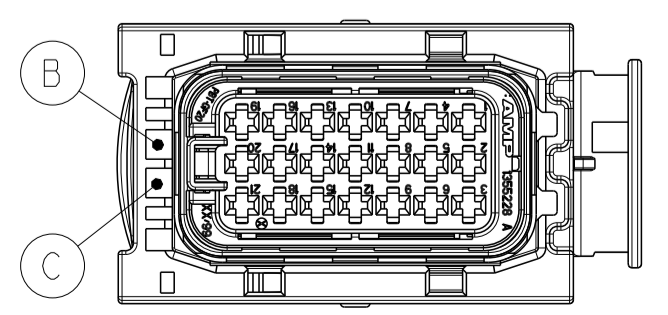


FURTHER CODINGS SCALE 1:1
 Weitere Kodierungen M 1:1

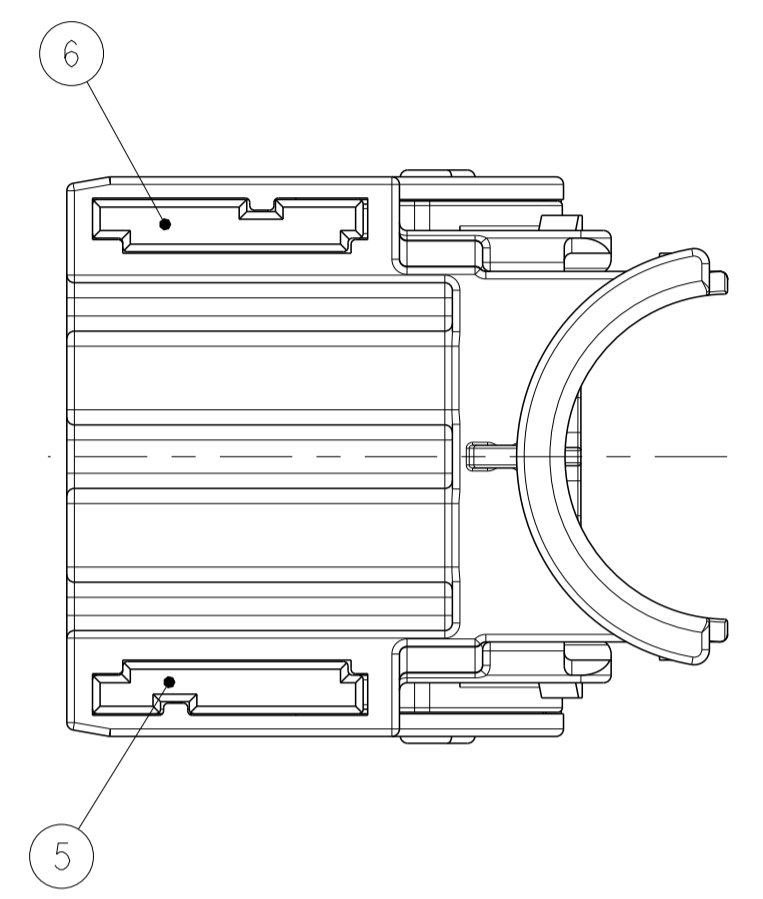
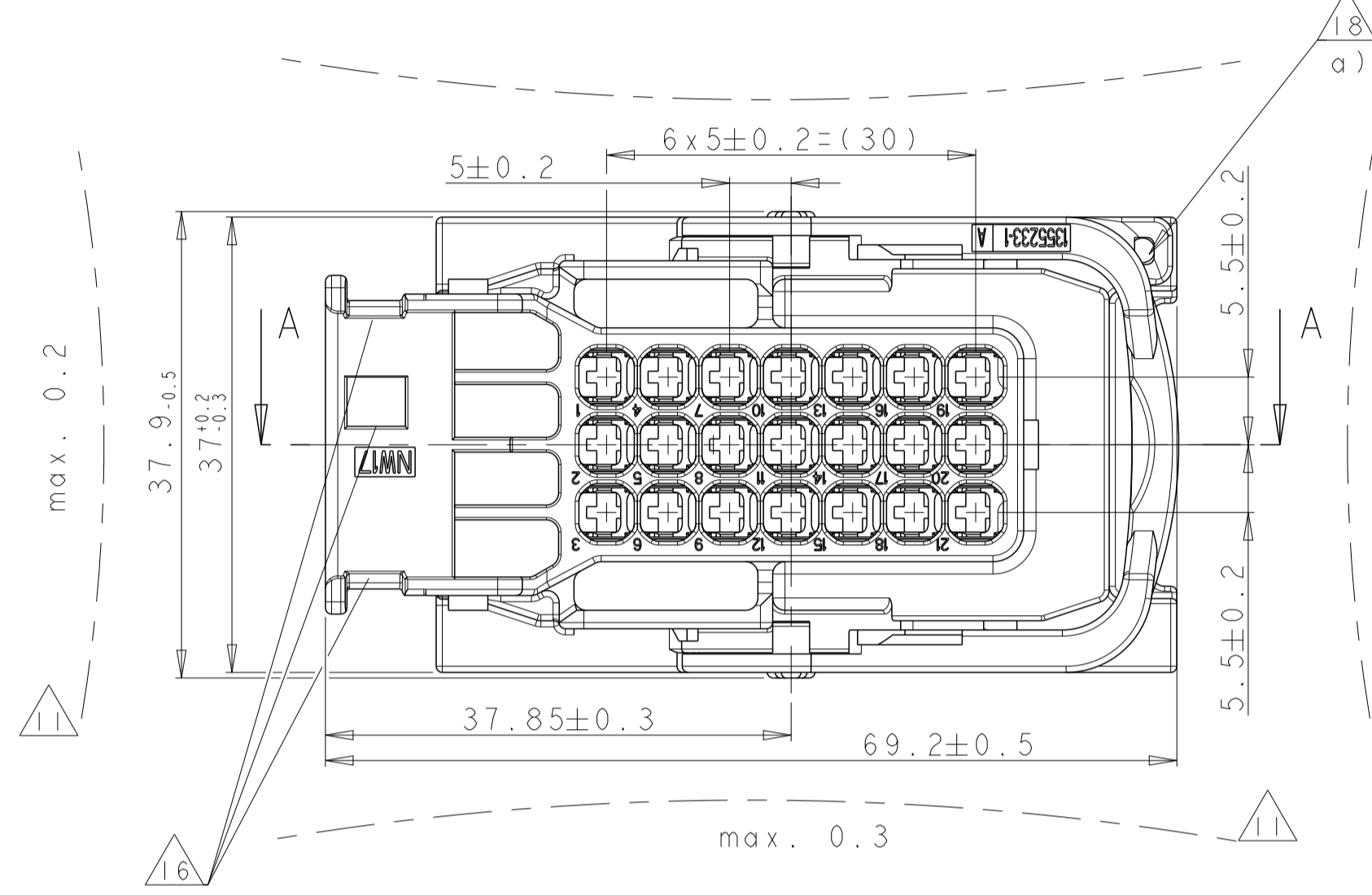
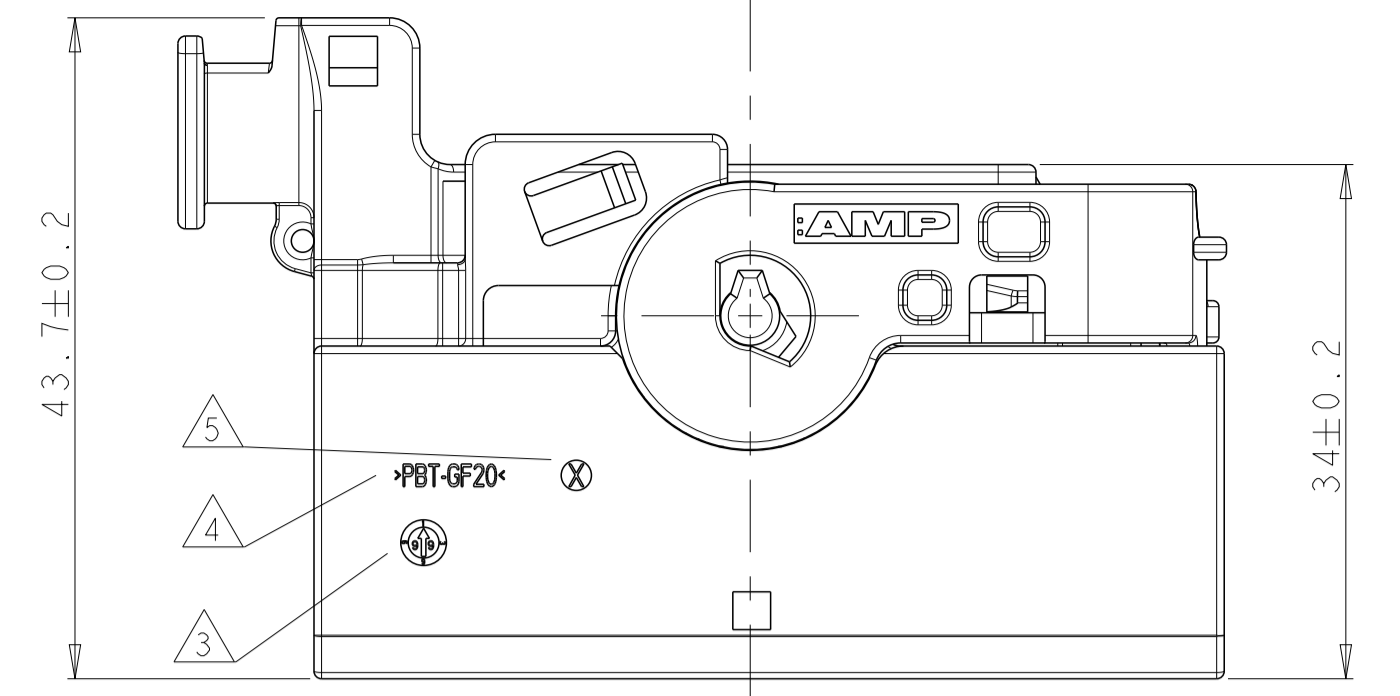
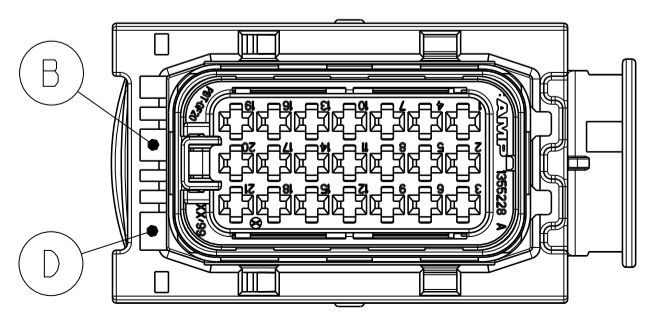
PN 2-1534127-1
 CODING **B** (GROOVES A-D)
 Kodierung **B** (Nuten A-D)



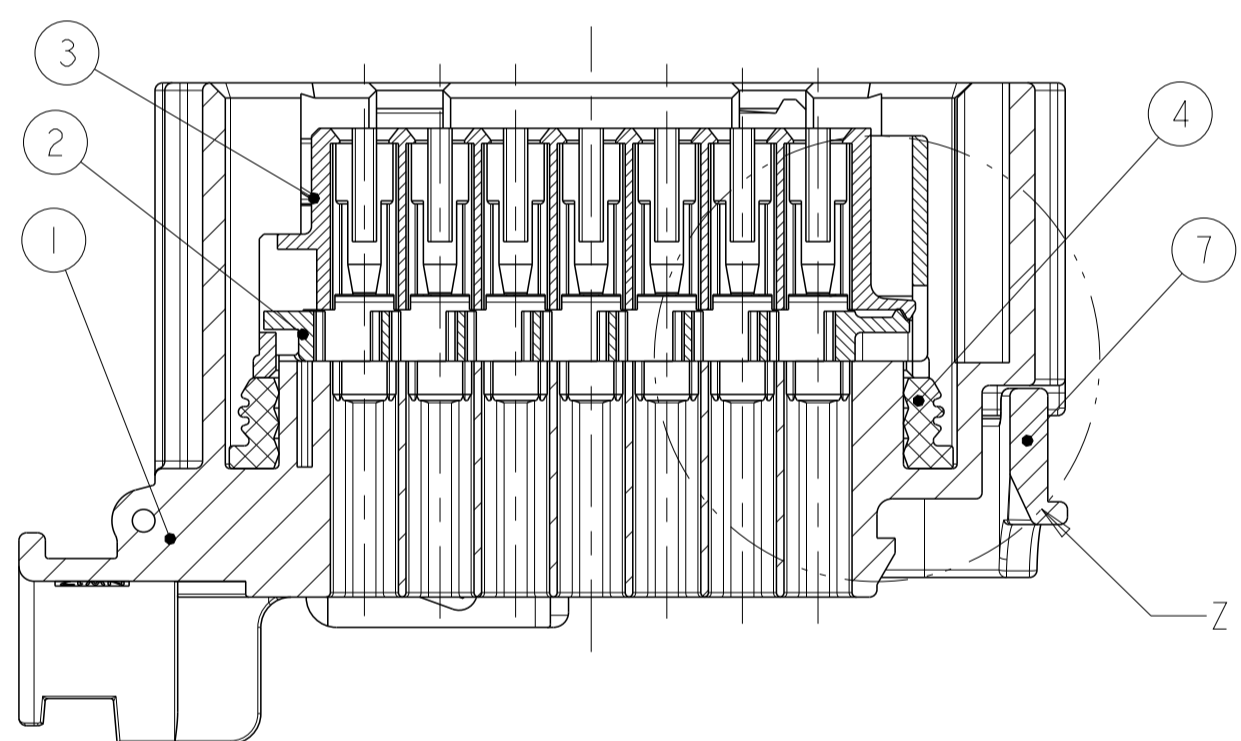
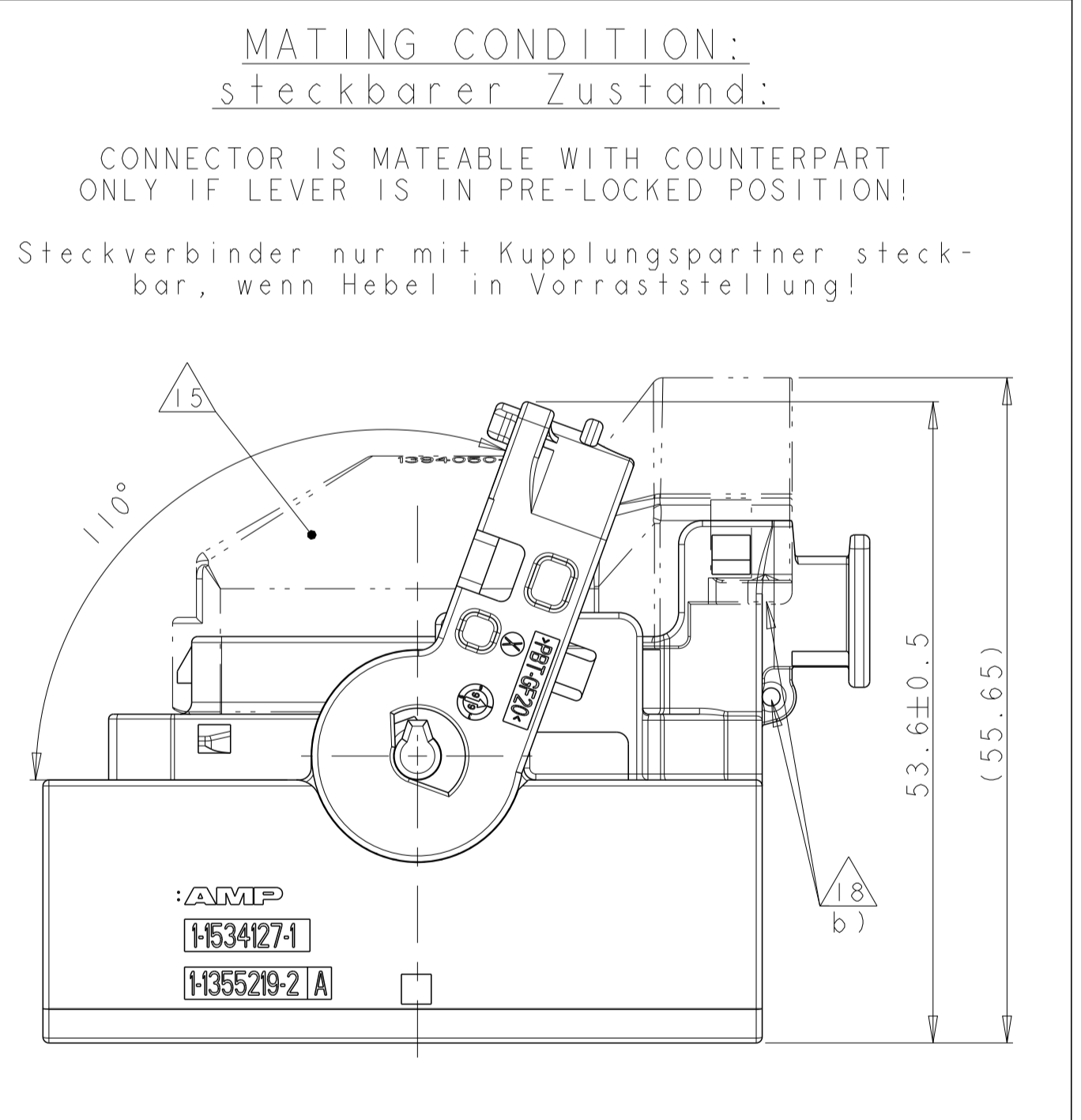
PN 3-1534127-1
 CODING **C** (GROOVES B-C)
 Kodierung **C** (Nuten B-C)



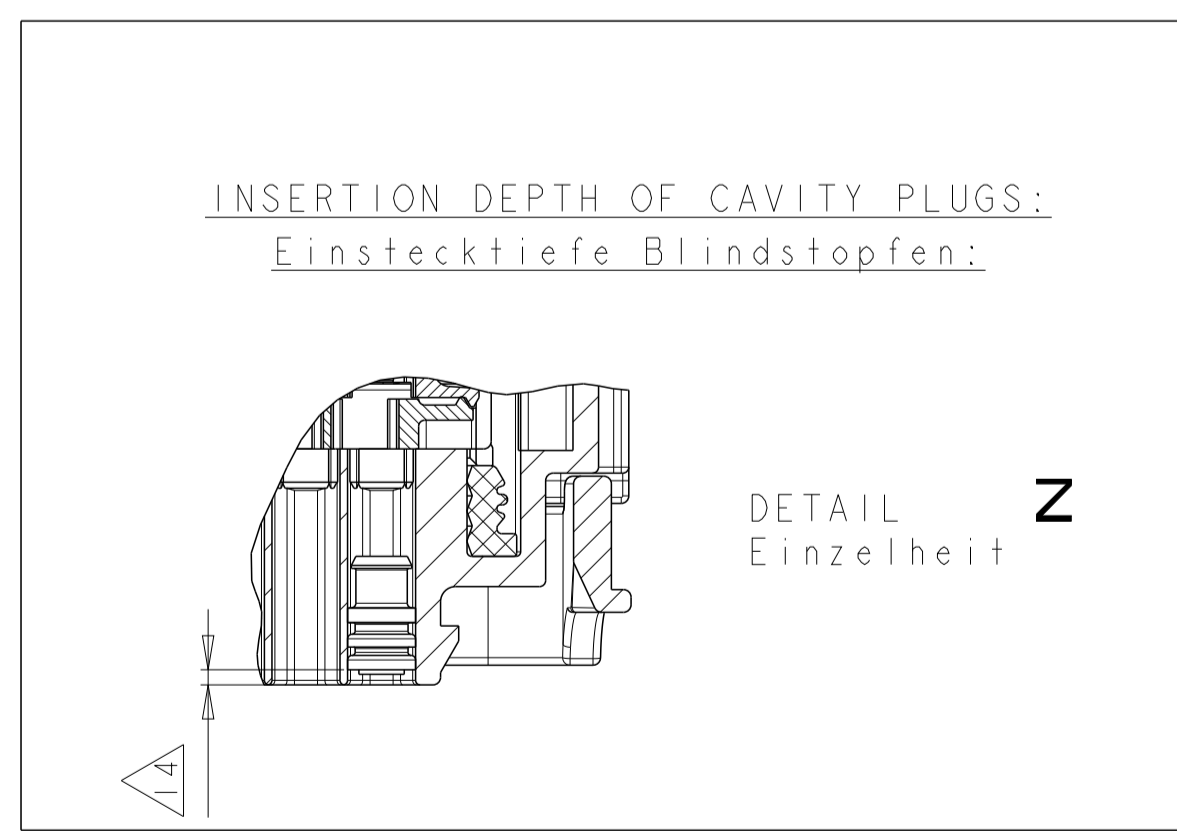
PN 4-1534127-1
 CODING **D** (GROOVES B-D)
 Kodierung **D** (Nuten B-D)



- NOTES**
 Bemerkungen
- AMP OR TE CONNECTIVITY LOGO (BOTH POSSIBLE) AND TE CONNECTIVITY PART NUMBER ASS'Y
 AMP oder TE CONNECTIVITY Logo (beides möglich) und TE CONNECTIVITY Nummer Verkaufsteil
 - CAVITY NUMBERING
 Kammerbezeichnung
 - PRODUCTION DATE OF ITEM 1
 Produktionsdatum von Pos. 1
 - MATERIAL MARKING OF ITEM 1 ACC. TO VDA 260
 Werkstoffkennzeichnung von Pos. 1 nach VDA 260
 - MOULD CAVITY MARKING
 Nestkennzeichnung
 - LAYER PACKAGING IN CORRUGATED SHIPPING BOX
 Lagenverpackung im Versandkarton
 - FITS TO TE CONNECTIVITY INTERFACE DRAWING FOR TAB CONNECTOR 114-18085-030
 Passend zu TE CONNECTIVITY Anschluss-Ausführungsschrift 114-18085-030
 - CAVITIES MATED WITH AMP MCP 2.8 CONTACTS (SWS) SEE PRODUCT GROUP DRAWING
 TE CONNECTIVITY: 1355036
 MAX. WIRESIZE: 2.5mm² FLR
 Kontaktkammern passend fuer AMP MCP 2.8 Kontakte (EDS) siehe Produkt-Gruppenzeichnung
 TE: 1355036
 max. Drahtgrößenbereich: 2.5mm² FLR
 - SLIDING DISTANCE OF SECONDARY LOCKING DEV.
 Verschiebeweg der zweiten Kontaktsicherung
 - DESIGNED FOR CORRUGATED TUBE NW17
 Ausgelegt fuer Wellrohr NW17
 - WARPAGE TO . . . PERMITTED
 Verzug zulässig bis . . .
 - TE CONNECTIVITY PART NUMBER OF . . . ITEM 1
 TE CONNECTIVITY Teilenummer von Pos. 1
 - REVISION STATUS OF ITEM 1
 Revisionsstatus von Pos. 1
 - INSERTION DEPTH OF CAVITY PLUG: 1.3
 CAVITY PLUG IS SHOWN SYMBOLICALLY ONLY AND NOT A PART OF ASS'Y 1534127!
 Einstektiefe der Blindstopfen: 1.3.
 Blindstopfen ist nur symbolisch dargestellt und kein Bestandteil der Verkaufsass'y 1534127!
 TE CONNECTIVITY: 828922
 - FITTING COVER SEE DRAWING (COVER IS NOT A PART OF ASS'Y 1534127!).
 Passende Abdeckkappe s. Zeichnung (die Kappe ist kein Bestandteil der Verkaufsass'y 1534127!).
 TE CONNECTIVITY: 1394050
 - SUITABLE CABLE TIE: MAX. WIDTH 4.4mm
 Passender Kabelbinder: max. Breite 4.4mm
 - MALFUNCTION CAUSED BY LACQUER IS NOT COVERED BY TE CONNECTIVITY WARRANTY
 Funktionsbeeinträchtigung durch Lackieren liegt nicht im Einfluss und Gewährleistungsumfang von TE CONNECTIVITY
 - FEATURES FOR OPTIONAL SEALING WITH EYE DIAMETER RESP. WIDTH 1.5"
 a) SEALING HOUSING/LEVER = CONNECTION
 b) SEALING HOUSING/CAP (BOTH SIDES)
 Elemente fuer optionale Plombierung mit Oesen-Durchmesser bzw. -Weite 1.5"
 a) Plombierung Geohuse/Hebel = Steckverbindung
 b) Plombierung Geohuse/Kappe (beidseitig)



SECTION A-A
 Schnitt



DETAIL Einzelheit Z

ORDER NO. Bestell-Nr.	REV.	CUSTOMER PART NO. Kunden Sach-Nr.
4-1534127-1	C	
3-1534127-1	C	
2-1534127-1	C	
1-1534127-1	C	

QTY	MAT.	DESCRIPTION	REV.	ITEM
1	PBT-GF20	YELLOW gelb		7
1	PA66-GF30	WINE RED weinrot		6
1	PA66-GF30	WINE RED weinrot		5
1	MVG	ORANGE orange		4
1	PBT-GF20	BLACK schwarz		3
1	PBT-GF30	YELLOW gelb		2
1	PBT-GF20	CLARET VIOLET bord.violett		A
1	PBT-GF20	LIGHT BLUE lichtblau		A
1	PBT-GF20	NATURAL natur		A
1	PBT-GF20	BLACK schwarz		A

THIS DRAWING IS A CONTROLLED DOCUMENT.		DWN R. HUEBNER 12-JUN-03		TE Connectivity	
DIMENSIONS: MASSENEHITEN: mm		CHK R. HUEBNER 12-JUN-03		NAME AMP MCP 2.8 SOCKET HSG., 21POS., SEALED WITH SECONDARY LOCKING DEVICE	
TOLERANCES UNLESS OTHERWISE SPECIFIED: 0.150 0.10 0.075 0.050 0.025 0.015 0.010 0.005		APVD J. HASS 13-JUN-03		AMP MCP 2.8 Buchsengeh., 21polig, gedichtet mit zweiter Kontaktsicherung	
MATERIAL SEE TABLE s. Tabelle		FINISH/BOHR/LACHE/FARBE		SIZE 114-18316	
WEIGHT 48g		CUSTOMER DRAWING		/KUNDENZEICHNUNG	
SCALE 2:1		SHEET 1 OF 1		REV. C2	