



Chipsmall Limited consists of a professional team with an average of over 10 year of expertise in the distribution of electronic components. Based in Hongkong, we have already established firm and mutual-benefit business relationships with customers from,Europe,America and south Asia,supplying obsolete and hard-to-find components to meet their specific needs.

With the principle of "Quality Parts,Customers Priority,Honest Operation,and Considerate Service",our business mainly focus on the distribution of electronic components. Line cards we deal with include Microchip,ALPS,ROHM,Xilinx,Pulse,ON,Everlight and Freescale. Main products comprise IC,Modules,Potentiometer,IC Socket,Relay,Connector.Our parts cover such applications as commercial,industrial, and automotives areas.

We are looking forward to setting up business relationship with you and hope to provide you with the best service and solution. Let us make a better world for our industry!



Contact us

Tel: +86-755-8981 8866 Fax: +86-755-8427 6832

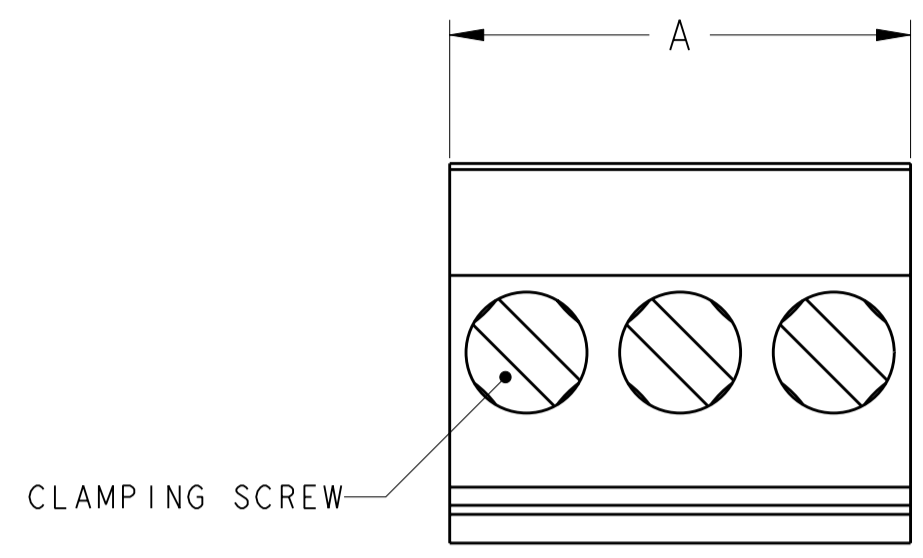
Email & Skype: info@chipsmall.com Web: www.chipsmall.com

Address: A1208, Overseas Decoration Building, #122 Zhenhua RD., Futian, Shenzhen, China

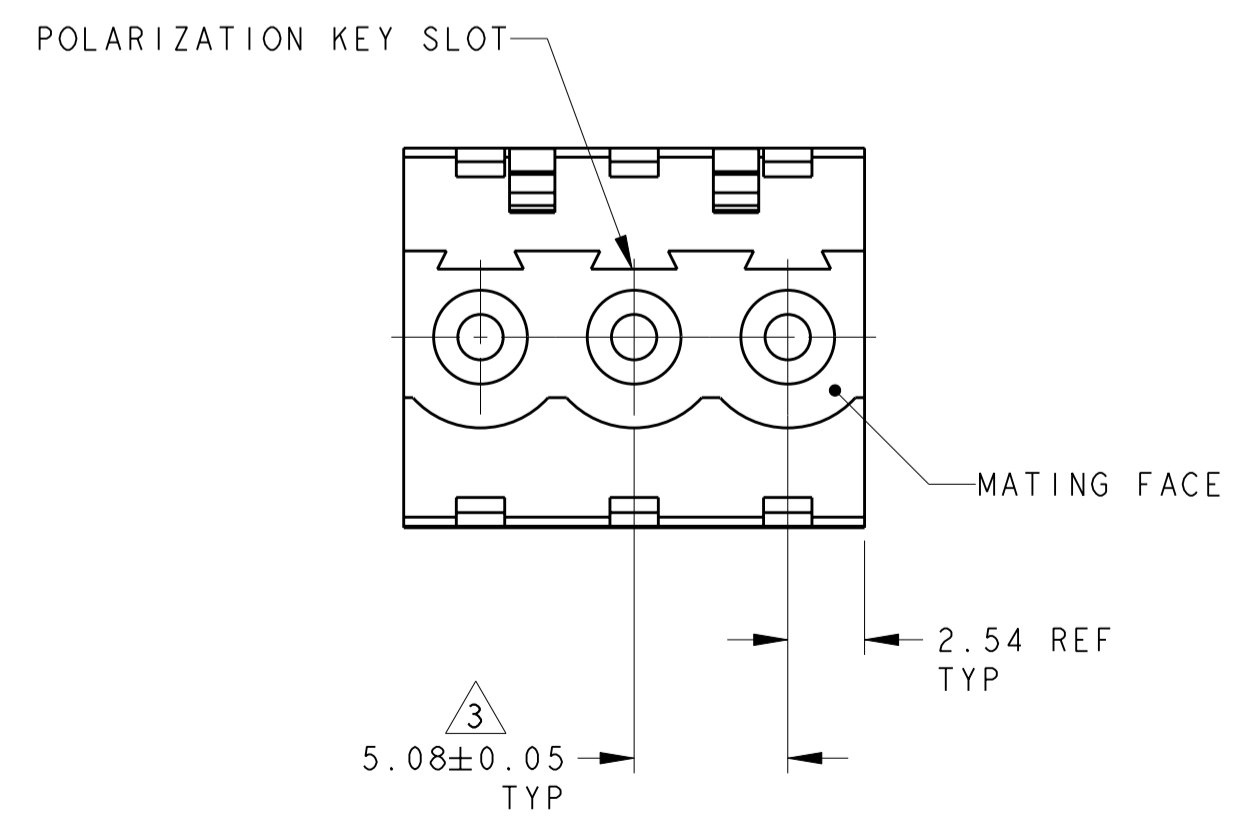
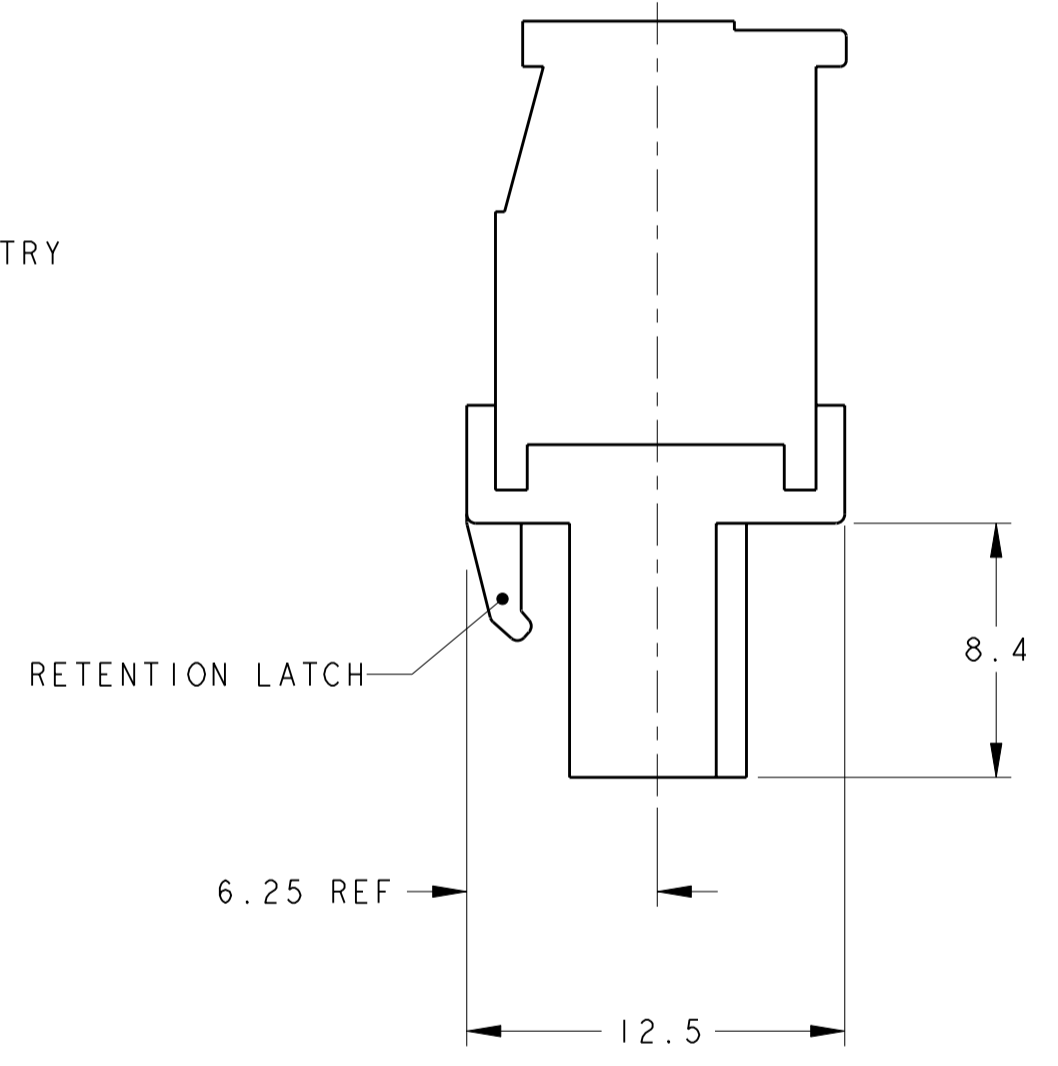
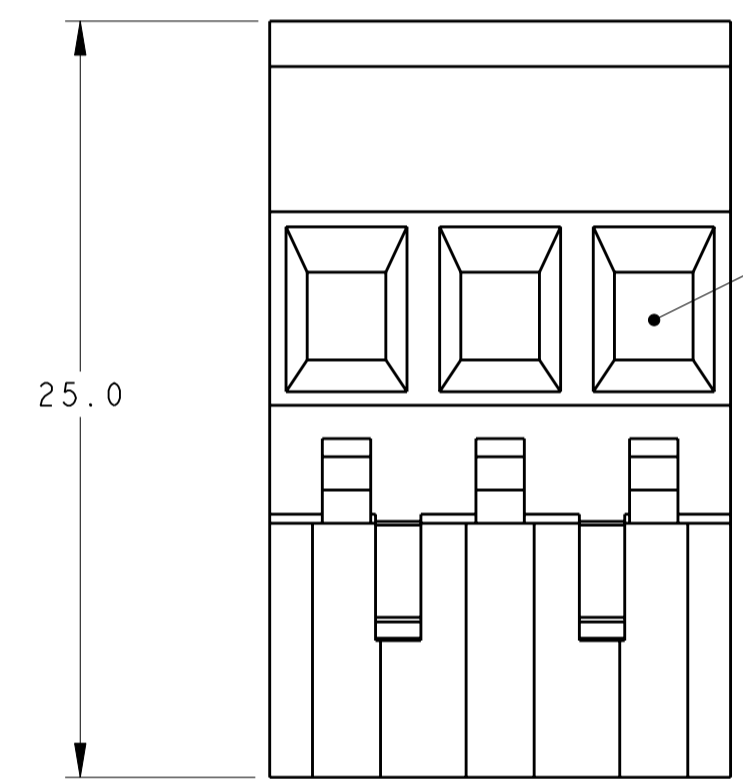


THIS DRAWING IS UNPUBLISHED. RELEASED FOR PUBLICATION 20
 © COPYRIGHT 20 BY TYCO ELECTRONICS CORPORATION. ALL RIGHTS RESERVED.

LOC		DIST		REVISIONS			
P	LTR	DESCRIPTION	DATE	DWN	APVD		
	A	RELEASED	11APR2007	SW	CR		



- 1 MATERIALS AND FINISH
 HOUSING: PA 6-6, UL 94-V0, COLOR: GRAY.
 CLAMP: BRASS, NICKEL PLATED.
 CONTACT SPRING : PHOSPHOR BRONZE, TIN PLATED.
 CLAMPING SCREW: M3, BRASS, NICKEL PLATED.
- 2. WIRE SIZE RANGE: 12 - 30 AWG
- 3 NOT CUMULATIVE TOLERANCE.
- 4 CHARACTERS MARKED IN PERMANENT WHITE COLOR.



127.00	25	2-1546122-5
121.92	24	2-1546122-4
116.84	23	2-1546122-3
111.76	22	2-1546122-2
106.68	21	2-1546122-1
101.60	20	2-1546122-0
96.52	19	1-1546122-9
91.44	18	1-1546122-8
86.36	17	1-1546122-7
81.28	16	1-1546122-6
76.20	15	1-1546122-5
71.12	14	1-1546122-4
66.04	13	1-1546122-3
60.96	12	1-1546122-2
55.88	11	1-1546122-1
50.80	10	1-1546122-0
45.72	9	1546122-9
40.64	8	1546122-8
35.56	7	1546122-7
30.48	6	1546122-6
24.40	5	1546122-5
20.32	4	1546122-4
15.24	3	1546122-3
10.16	2	1546122-2
A	NO OF POSN	PART NUMBER

THIS DRAWING IS A CONTROLLED DOCUMENT FOR TYCO ELECTRONICS CORPORATION. IT IS SUBJECT TO CHANGE AND THE CONTROLLING ENGINEERING ORGANIZATION SHOULD BE CONTACTED FOR THE LATEST REVISION.		DWN S.WELDON 11APR2007	BUCHANAN Tyco Electronics Harrisburg, PA 17105-3608
DIMENSIONS: mm		CHK C.RICHARD 11APR2007	
TOLERANCES UNLESS OTHERWISE SPECIFIED:		APVD C.RICHARD 11APR2007	
0 PLC ±.3 1 PLC ±.3 2 PLC ±.25 3 PLC ±. 4 PLC ±. ANGLES ±2 FINISH		PRODUCT SPEC -	
MATERIAL		APPLICATION SPEC -	RESTRICTED TO -
		WEIGHT -	NAME: TERMINAL BLOCK, VERTICAL PLUG, STACKING, RIGHT HAND, 5.08mm PITCH SIZE: A2 CAGE CODE: 00779 DRAWING NO: 1546122
CUSTOMER DRAWING		SCALE: 4:1	SHEET 1 OF 1 REV A