



Chipsmall Limited consists of a professional team with an average of over 10 year of expertise in the distribution of electronic components. Based in Hongkong, we have already established firm and mutual-benefit business relationships with customers from,Europe,America and south Asia,supplying obsolete and hard-to-find components to meet their specific needs.

With the principle of “Quality Parts,Customers Priority,Honest Operation,and Considerate Service”,our business mainly focus on the distribution of electronic components. Line cards we deal with include Microchip,ALPS,ROHM,Xilinx,Pulse,ON,Everlight and Freescale. Main products comprise IC,Modules,Potentiometer,IC Socket,Relay,Connector.Our parts cover such applications as commercial,industrial, and automotives areas.

We are looking forward to setting up business relationship with you and hope to provide you with the best service and solution. Let us make a better world for our industry!



Contact us

Tel: +86-755-8981 8866 Fax: +86-755-8427 6832

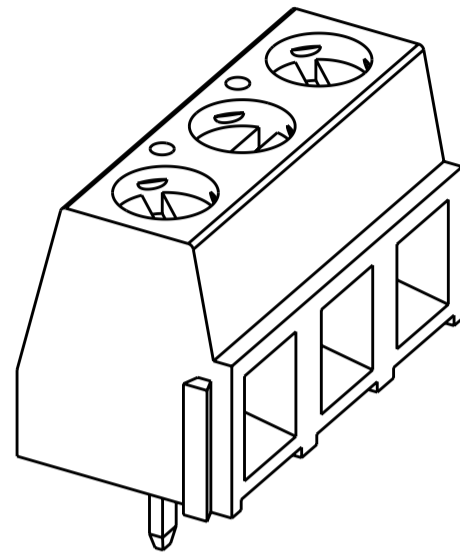
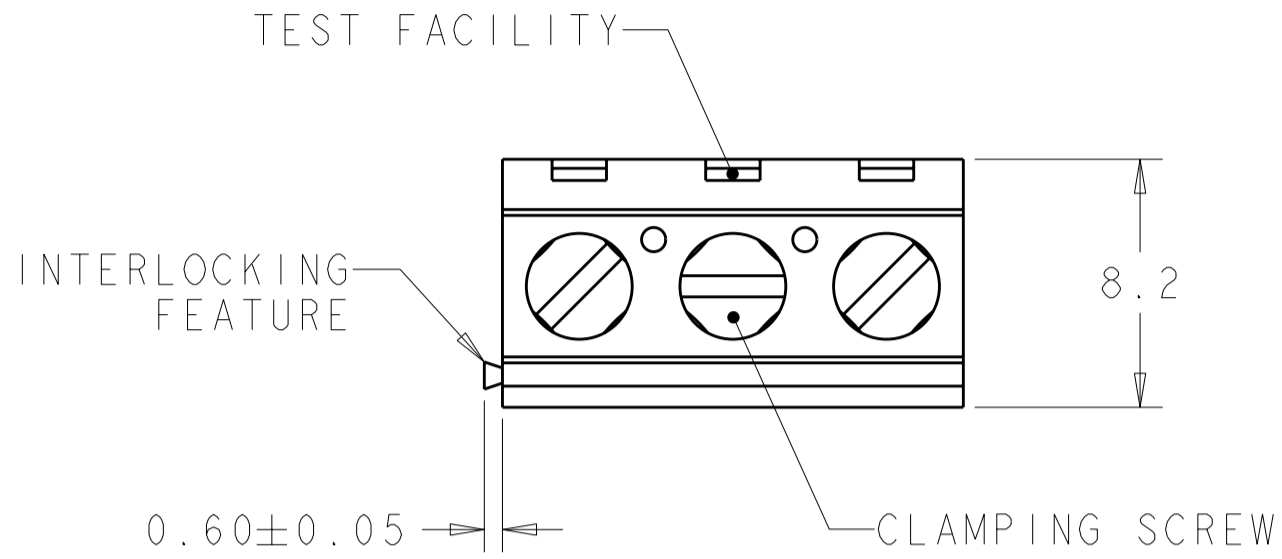
Email & Skype: info@chipsmall.com Web: www.chipsmall.com

Address: A1208, Overseas Decoration Building, #122 Zhenhua RD., Futian, Shenzhen, China



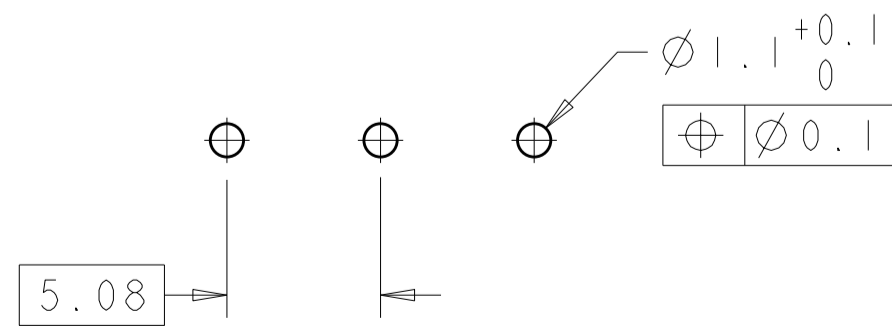
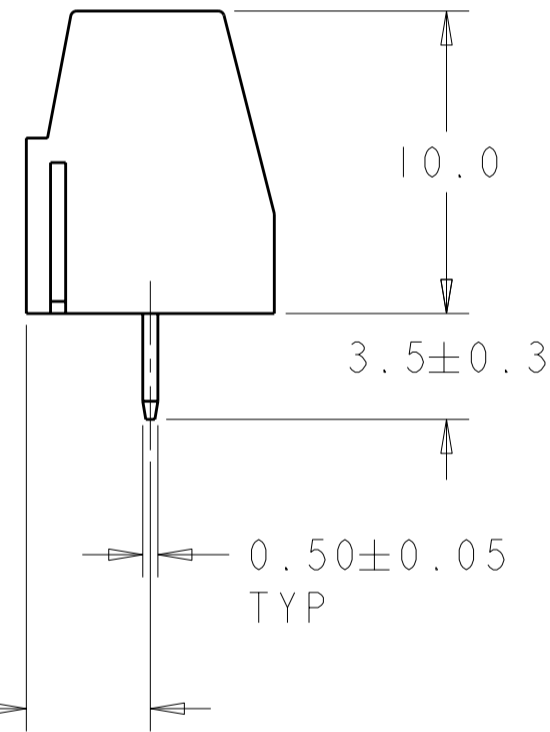
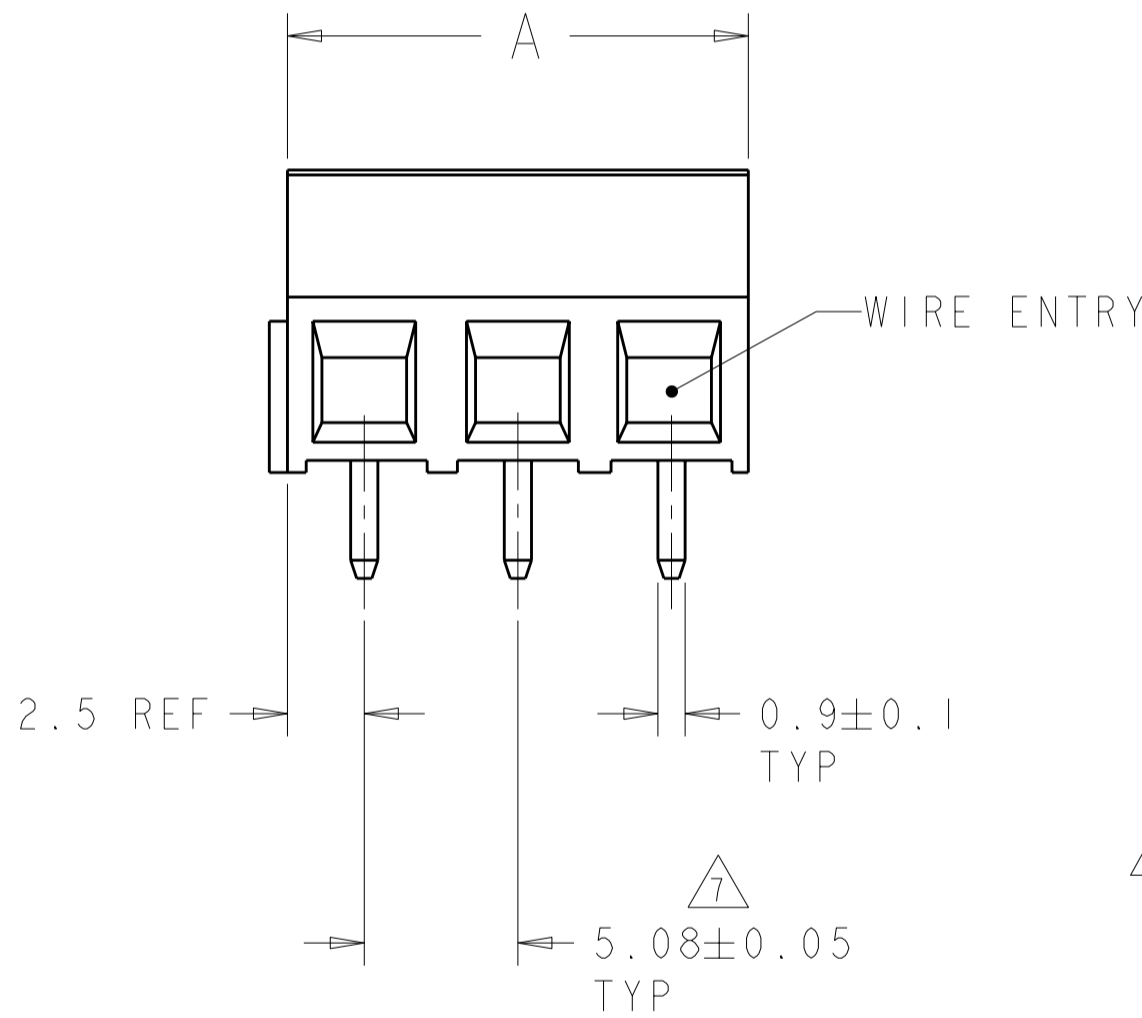
THIS DRAWING IS UNPUBLISHED. RELEASED FOR PUBLICATION 20
 © COPYRIGHT 20 BY - ALL RIGHTS RESERVED.

LOC	DIST	REVISIONS			
P	LTR	DESCRIPTION	DATE	DWN	APVD
FT	0	A2	REVISED PER ECO-11-005027	16MAR2011	RK HMR



1546217-3 AS SHOWN

- 1. MATERIALS AND FINISH
 HOUSING: PA 6-6, UL 94-V0, COLOR GRAY.
 CLAMP: BRASS, NICKEL PLATED.
 TERMINAL: BRASS, TIN PLATED.
 CLAMPING SCREW: M3, BRASS, NICKEL PLATED.
 - 2. SUITABLE FOR 1,6-2,4mm PC BOARD THICKNESS.
 - 3. END-TO-END STACKABLE W/INTERLOCK WITHOUT LOSS OF CENTERLINE SPACING.
 - 4. WIRE SIZE RANGE: 16-30 AWG.
 - 5. RECOGNIZED UNDER THE COMPONENT PROGRAM OF UNDERWRITERS LABORATORIES INC., FILE N° E60677.
 - 6. IMQ CERTIFICATE WITH SURVEILLANCE IN CONFORMITY WITH IEC 998-1/998-2-1.
- ⚠ NOT CUMULATIVE TOLERANCE.



RECOMMENDED PC BOARD LAYOUT

127.00	25	2-1546217-5
121.92	24	2-1546217-4
116.84	23	2-1546217-3
111.76	22	2-1546217-2
106.68	21	2-1546217-1
101.60	20	2-1546217-0
96.52	19	1-1546217-9
91.44	18	1-1546217-8
86.36	17	1-1546217-7
81.28	16	1-1546217-6
76.20	15	1-1546217-5
71.12	14	1-1546217-4
66.04	13	1-1546217-3
60.96	12	1-1546217-2
55.88	11	1-1546217-1
50.80	10	1-1546217-0
45.72	9	1546217-9
40.64	8	1546217-8
35.56	7	1546217-7
30.48	6	1546217-6
25.40	5	1546217-5
20.32	4	1546217-4
15.24	3	1546217-3
10.16	2	1546217-2
A	NO OF POSN	PART NUMBER

THIS DRAWING IS A CONTROLLED DOCUMENT.

DWN: S. WELDON 14APR2003
 CHK: C. RICHARD 14APR2003
 APVD: C. RICHARD 14APR2003

DIMENSIONS: mm

TOLERANCES UNLESS OTHERWISE SPECIFIED:

0 PLC	±-
1 PLC	±.3
2 PLC	±.25
3 PLC	±-
4 PLC	±-
ANGLES	±2
FINISH	

MATERIAL: ⚠

PRODUCT SPEC: 108-20166
 APPLICATION SPEC: 114-20079
 WEIGHT: -

CUSTOMER DRAWING

STE TE Connectivity

NAME: TERMINAL BLOCK, PCB MOUNT
 SIDE ENTRY WIRE, STACKING
 W/INTERLOCK, 5.08mm PITCH

SIZE: A2 CAGE CODE: 00779 DRAWING NO: 1546217 RESTRICTED TO: -

SCALE: 4:1 SHEET 1 OF 1 REV: A2