



Chipsmall Limited consists of a professional team with an average of over 10 year of expertise in the distribution of electronic components. Based in Hongkong, we have already established firm and mutual-benefit business relationships with customers from,Europe,America and south Asia,supplying obsolete and hard-to-find components to meet their specific needs.

With the principle of "Quality Parts,Customers Priority,Honest Operation,and Considerate Service",our business mainly focus on the distribution of electronic components. Line cards we deal with include Microchip,ALPS,ROHM,Xilinx,Pulse,ON,Everlight and Freescale. Main products comprise IC,Modules,Potentiometer,IC Socket,Relay,Connector.Our parts cover such applications as commercial,industrial, and automotives areas.

We are looking forward to setting up business relationship with you and hope to provide you with the best service and solution. Let us make a better world for our industry!



Contact us

Tel: +86-755-8981 8866 Fax: +86-755-8427 6832

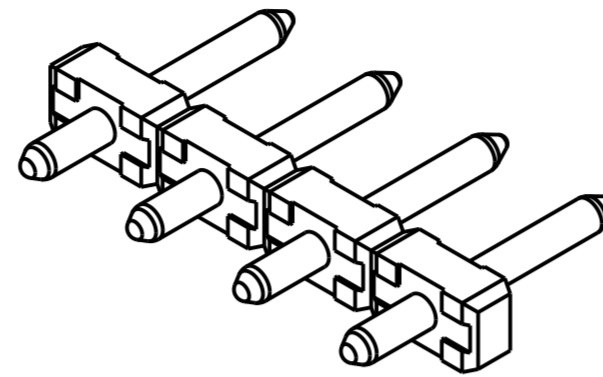
Email & Skype: info@chipsmall.com Web: www.chipsmall.com

Address: A1208, Overseas Decoration Building, #122 Zhenhua RD., Futian, Shenzhen, China

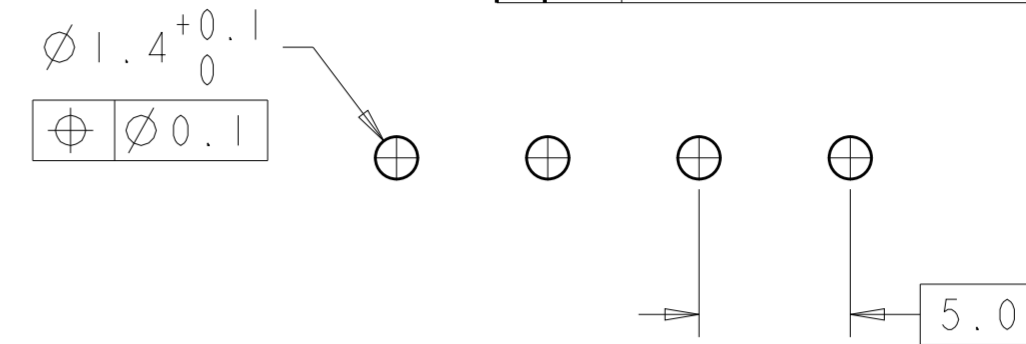


THIS DRAWING IS UNPUBLISHED. RELEASED FOR PUBLICATION 20
 © COPYRIGHT 20 ALL RIGHTS RESERVED.

LOC	DIST	REVISIONS					
FT	0	P	LTR	DESCRIPTION	DATE	DWN	APVD
		A9		REVISED PER ECO-14-009593	01JUL2014	NK	MM

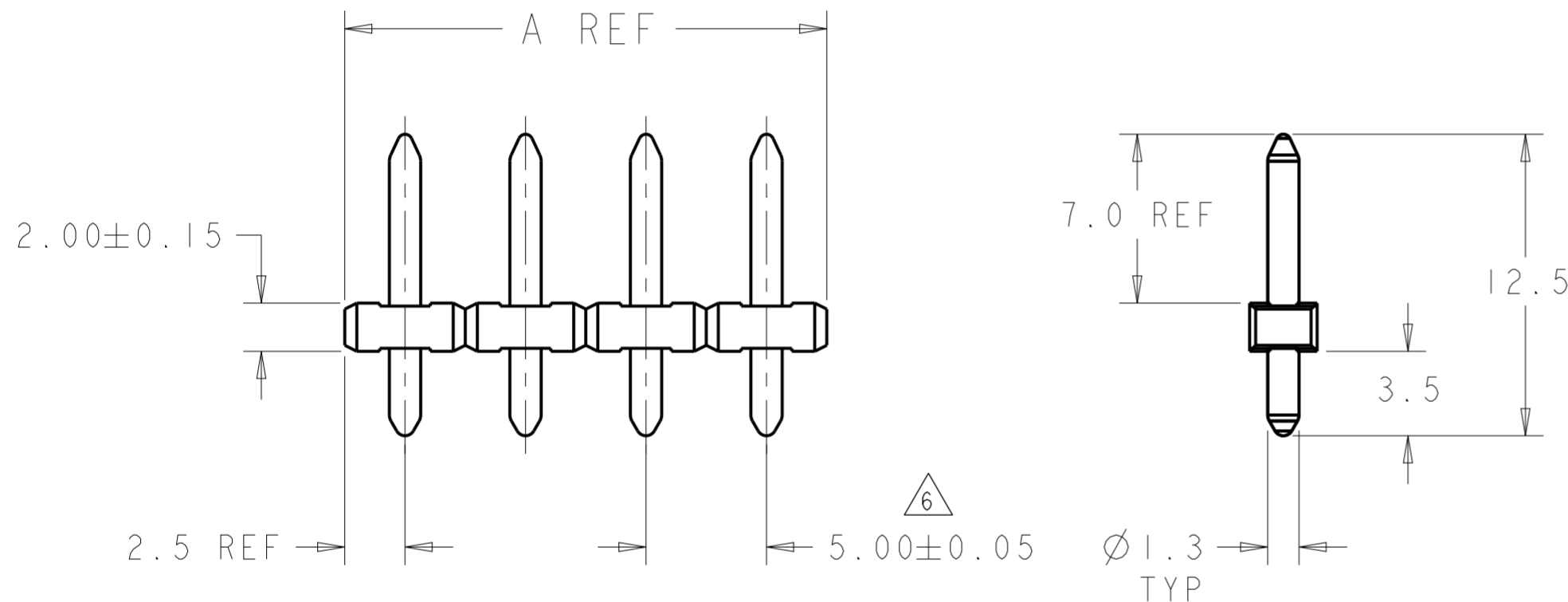
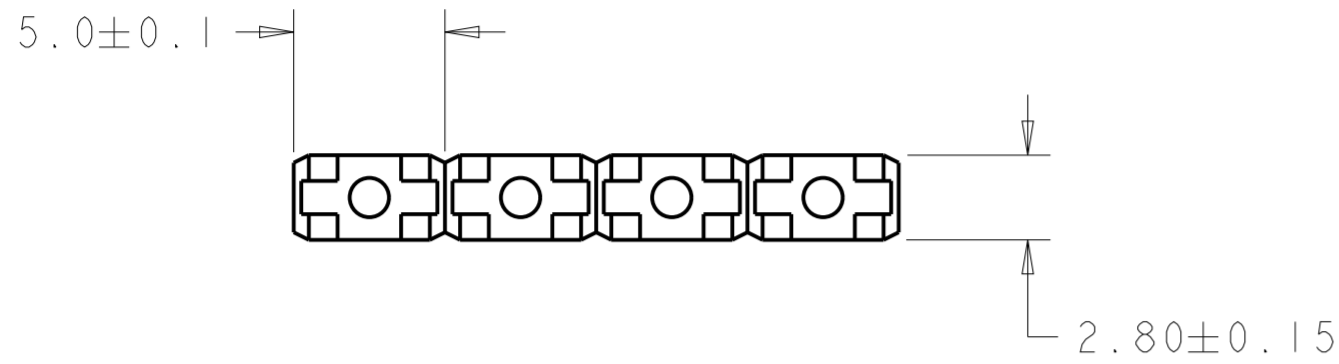


1546931-4 AS SHOWN



RECOMMENDED PC BOARD LAYOUT

PRELIMINARY	BLACK	TIN	TAPE AND REEL	55	11	3-1546931-5
PRELIMINARY	BLACK	TIN	TAPE AND REEL	45	9	3-1546931-4
	GRAY	TIN	-	45	9	3-1546931-3
	BLACK	TIN	TAPE AND REEL	15	3	3-1546931-2
PRELIMINARY	BLACK	TIN	TAPE AND REEL	10	2	3-1546931-1
OBSOLETE	BLACK	0.254um GOLD	-	10	2	3-1546931-0
	BLACK	TIN	TAPE AND REEL	25	5	2-1546931-9
	BLACK	TIN	TAPE AND REEL	20	4	2-1546931-8
OBSOLETE	BLACK	TIN	TUBES	25	5	2-1546931-7
OBSOLETE	BLACK	TIN	TUBES	20	4	2-1546931-6
	BLACK	TIN		125	25	2-1546931-5
	BLACK	TIN		120	24	2-1546931-4
	BLACK	TIN		115	23	2-1546931-3
	BLACK	TIN		110	22	2-1546931-2
	BLACK	TIN		105	21	2-1546931-1
	BLACK	TIN		100	20	2-1546931-0
	BLACK	TIN		95	19	1-1546931-9
	BLACK	TIN		90	18	1-1546931-8
	BLACK	TIN		85	17	1-1546931-7
	BLACK	TIN		80	16	1-1546931-6
	BLACK	TIN		75	15	1-1546931-5
	BLACK	TIN		70	14	1-1546931-4
	BLACK	TIN		65	13	1-1546931-3
	BLACK	TIN		60	12	1-1546931-2
OBSOLETE	BLACK	TIN		55	11	1-1546931-1
	BLACK	TIN		50	10	1-1546931-0
	BLACK	TIN		45	9	1546931-9
	BLACK	TIN		40	8	1546931-8
	BLACK	TIN		35	7	1546931-7
	BLACK	TIN		30	6	1546931-6
	BLACK	TIN		25	5	1546931-5
	BLACK	TIN		20	4	1546931-4
	BLACK	TIN		15	3	1546931-3
	BLACK	TIN		10	2	1546931-2
COLOR	PLATING	PACKAGING	A REF	NO OF POSN	PART NUMBER	



1 MATERIALS AND FINISH:
 HOUSING: PA 6-6, UL 94-V0, COLOR: SEE TABLE.
 TEMPERATURE RATING OF 260°C AT 1 MINUTE.
 TERMINAL: BRASS, TIN PLATED.

2. SUITABLE FOR 1,6-2,4mm PC BOARD THICKNESS.

3. END-TO-END STACKABLE WITHOUT LOSS OF CENTERLINE SPACING.

4. RECOGNIZED UNDER THE COMPONENT PROGRAM OF UNDERWRITERS LABORATORIES INC. FILE N° E60677.

5. IMQ CERTIFICATE WITH SURVEILLANCE IN CONFORMITY WITH IEC 998-1/998-2-1.

6 NOT CUMULATIVE TOLERANCE.

THIS DRAWING IS A CONTROLLED DOCUMENT.

DWN: S. WELDON 30 JAN 2004
 CHK: C. RICHARD 30 JAN 2004
 APVD: C. RICHARD 30 JAN 2004

STE TE Connectivity

NAME: TERMINAL BLOCK, PIN HEADER, UNSHROUDED, HIGH TEMPERATURE, 5.0mm PITCH

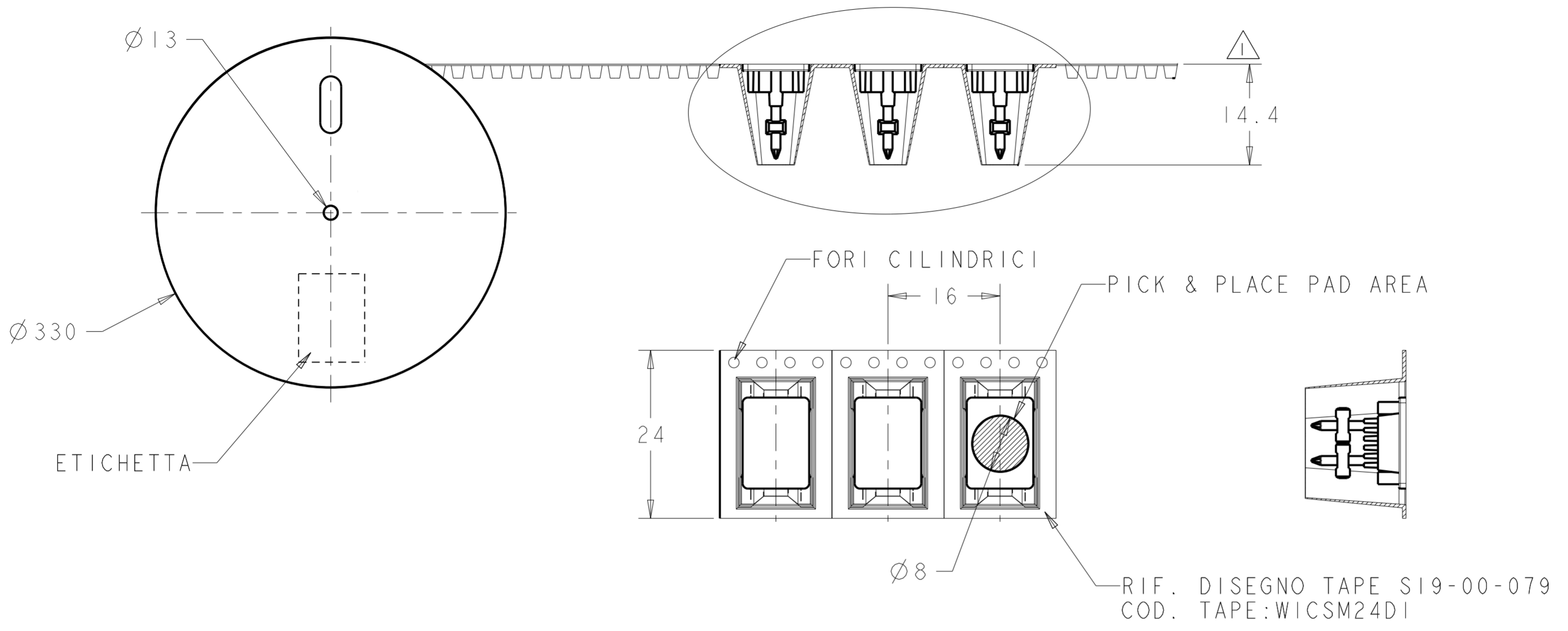
PRODUCT SPEC: 108-20166
 APPLICATION SPEC: 114-20079

SIZE: A2 CAGE CODE: 00779 DRAWING NO: C-1546931 RESTRICTED TO: -

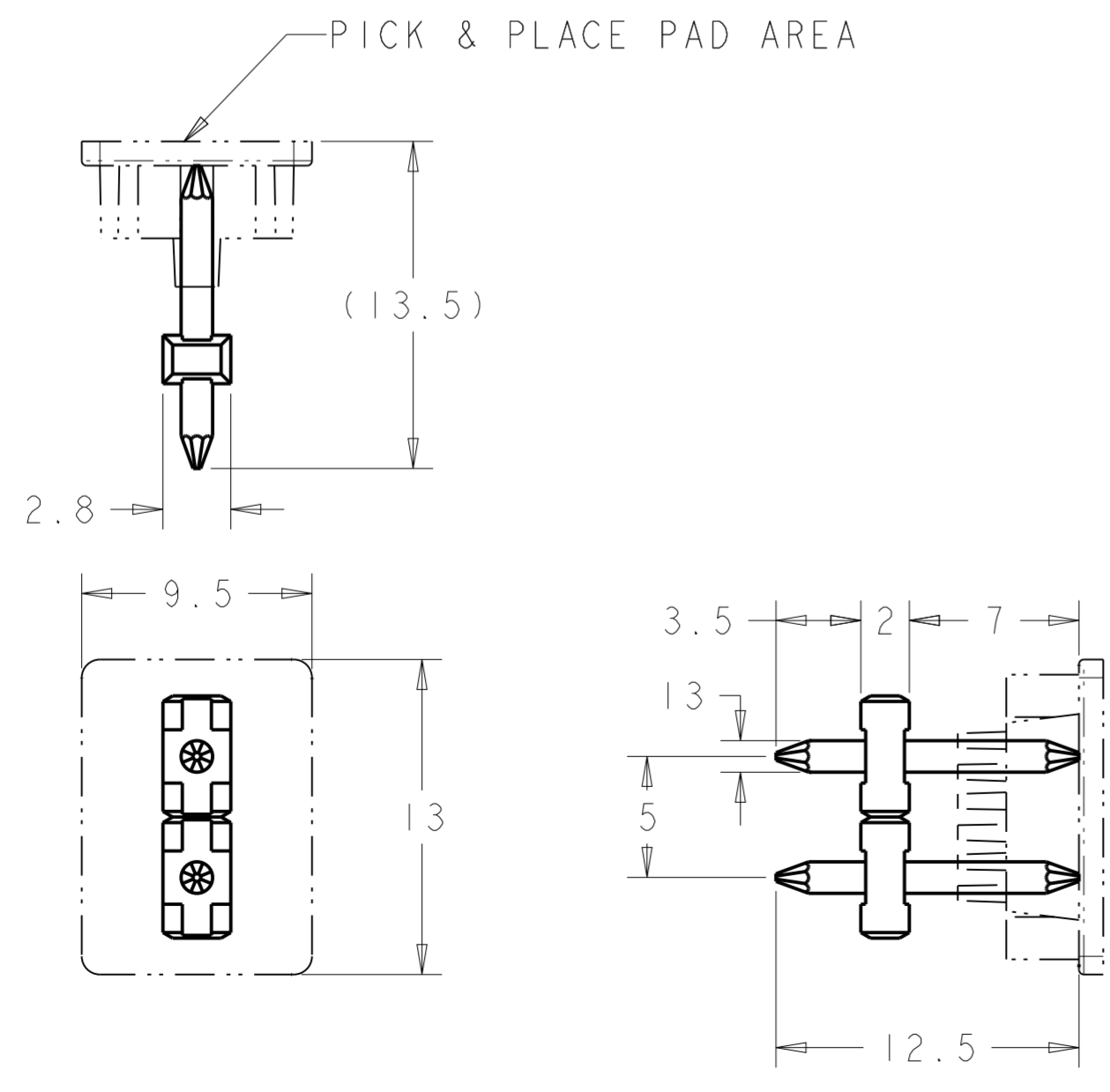
Customer Drawing SCALE: 4:1 SHEET 1 OF 2 REV: A9

THIS DRAWING IS UNPUBLISHED. RELEASED FOR PUBLICATION 20
 © COPYRIGHT 20 ALL RIGHTS RESERVED.

LOC	DIST	REVISIONS			
P	LTR	DESCRIPTION	DATE	DWN	APVD
FT	0	SEE SHEET 1	-	-	-



NOTE:
300 PCS PER REEL



THIS DRAWING IS A CONTROLLED DOCUMENT.		DWN S. WELDON 30 JAN 2004	 TE Connectivity	NAME	
DIMENSIONS: mm		CHK C. RICHARD 30 JAN 2004		TERMINAL BLOCK, PIN HEADER, UNSHROUDED, HIGH TEMPERATURE, 5.0mm PITCH	
TOLERANCES UNLESS OTHERWISE SPECIFIED:		APVD C. RICHARD 30 JAN 2004		SIZE CAGE CODE DRAWING NO RESTRICTED TO	
0 PLC ±- 1 PLC ±.3 2 PLC ±.25 3 PLC ±- 4 PLC ±- ANGLES ±2° FINISH		PRODUCT SPEC 108-20166		A200779	C-1546931
MATERIAL		APPLICATION SPEC 114-20079	SCALE 4:1		SHEET 2 OF 2
-		WEIGHT -	Customer Drawing		REV A9