



Chipsmall Limited consists of a professional team with an average of over 10 year of expertise in the distribution of electronic components. Based in Hongkong, we have already established firm and mutual-benefit business relationships with customers from,Europe,America and south Asia,supplying obsolete and hard-to-find components to meet their specific needs.

With the principle of “Quality Parts,Customers Priority,Honest Operation,and Considerate Service”,our business mainly focus on the distribution of electronic components. Line cards we deal with include Microchip,ALPS,ROHM,Xilinx,Pulse,ON,Everlight and Freescale. Main products comprise IC,Modules,Potentiometer,IC Socket,Relay,Connector.Our parts cover such applications as commercial,industrial, and automotives areas.

We are looking forward to setting up business relationship with you and hope to provide you with the best service and solution. Let us make a better world for our industry!



## Contact us

Tel: +86-755-8981 8866 Fax: +86-755-8427 6832

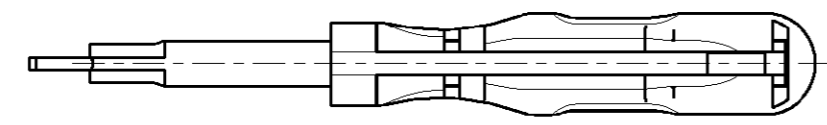
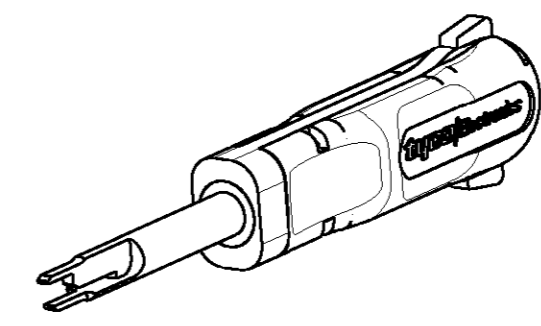
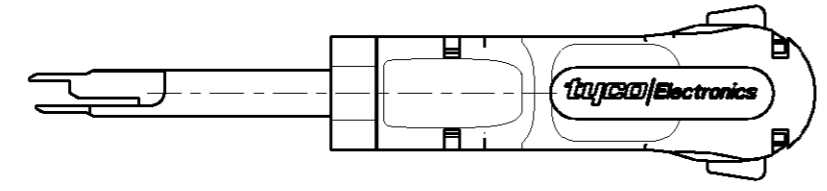
Email & Skype: info@chipsmall.com Web: www.chipsmall.com

Address: A1208, Overseas Decoration Building, #122 Zhenhua RD., Futian, Shenzhen, China

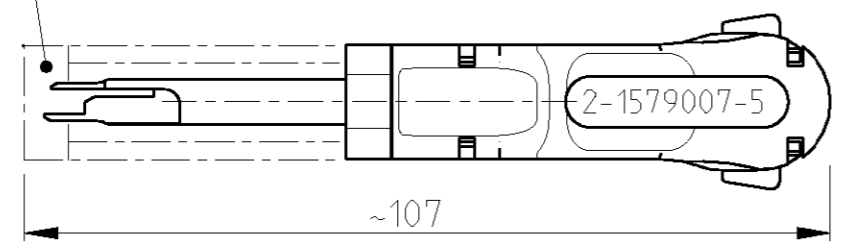


THIS DRAWING IS UNPUBLISHED. RELEASED FOR PUBLICATION 2003  
 © COPYRIGHT 2003 BY TYCO ELECTRONICS CORPORATION. ALL RIGHTS RESERVED.

| LOC | DIST | REVISIONS |     |              |           |     |      |
|-----|------|-----------|-----|--------------|-----------|-----|------|
|     |      | P         | LTR | DESCRIPTION  | DATE      | DWN | APVD |
| A1  | -    |           | A   | EGC0-0137-03 | 16FEB2004 | ZA  | -    |
|     |      |           | A1  | EGC0-0270-04 | 28DEC2004 | ZA  | -    |
|     |      |           |     |              |           |     |      |



COVER SLIDE  
Schutzschieber



FOR CONTACTS: JPT, SPT, TAB 4.8/5.8mm  
 ( IN THE OPEN CONTACTS CAVITY )  
 ( in offener Kontaktkammer )

ONLY FOR ASYMETRIC CONTACTS  
 Nur für asymmetrische Kontakte

THIS DRAWING IS A CONTROLLED DOCUMENT FOR TYCO ELECTRONICS CORPORATION  
 IT IS SUBJECT TO CHANGE AND THE CONTROLLING ENGINEERING ORGANIZATION  
 SHOULD BE CONTACTED FOR THE LATEST REVISION.

|                   |  |  |     |
|-------------------|--|--|-----|
| DIMENSIONS:<br>mm |  | TOLERANCES UNLESS OTHERWISE SPECIFIED: |     |
|                   |  | 0 PLC                                  | ±   |
|                   |  | 1 PLC                                  | ±   |
|                   |  | 2 PLC                                  | ±   |
|                   |  | 3 PLC                                  | ±   |
|                   |  | 4 PLC                                  | ±   |
| MATERIAL          |  | ANGLES                                 | ±1° |
|                   |  | FINISH                                 | -   |

|                  |            |           |   |             |
|------------------|------------|-----------|---|-------------|
| DWN              | J. ZAJICEK | 28DEC2004 | tyco Electronics AMP GmbH<br>D - 64625 Bensheim |             |
| CHK              | -          | -         | NAME  |             |
| APVD             | -          | -         | EXTRACTION TOOL<br>Entriegelungswerkzeug        |             |
| PRODUCT SPEC     | -          | -         | SIZE  | A3          |
| APPLICATION SPEC | -          | -         | CAGE CODE                                       | 00779       |
| WEIGHT           | -          | -         | DRAWING NO                                      | 2-1579007-5 |
| CUSTOMER DRAWING |            |           | RESTRICTED TO                                   | -           |
|                  |            |           | SCALE   | 1:1         |
|                  |            |           | SHEET   | 1 OF 1      |
|                  |            |           | REV   | A1          |