



Chipsmall Limited consists of a professional team with an average of over 10 year of expertise in the distribution of electronic components. Based in Hongkong, we have already established firm and mutual-benefit business relationships with customers from,Europe,America and south Asia,supplying obsolete and hard-to-find components to meet their specific needs.

With the principle of “Quality Parts,Customers Priority,Honest Operation,and Considerate Service”,our business mainly focus on the distribution of electronic components. Line cards we deal with include Microchip,ALPS,ROHM,Xilinx,Pulse,ON,Everlight and Freescale. Main products comprise IC,Modules,Potentiometer,IC Socket,Relay,Connector.Our parts cover such applications as commercial,industrial, and automotives areas.

We are looking forward to setting up business relationship with you and hope to provide you with the best service and solution. Let us make a better world for our industry!



Contact us

Tel: +86-755-8981 8866 Fax: +86-755-8427 6832

Email & Skype: info@chipsmall.com Web: www.chipsmall.com

Address: A1208, Overseas Decoration Building, #122 Zhenhua RD., Futian, Shenzhen, China



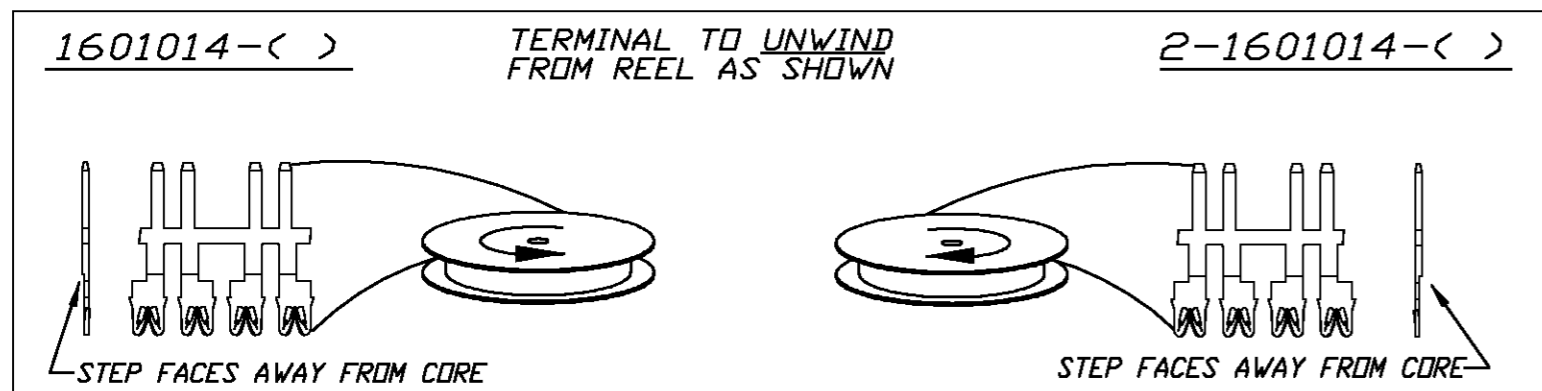
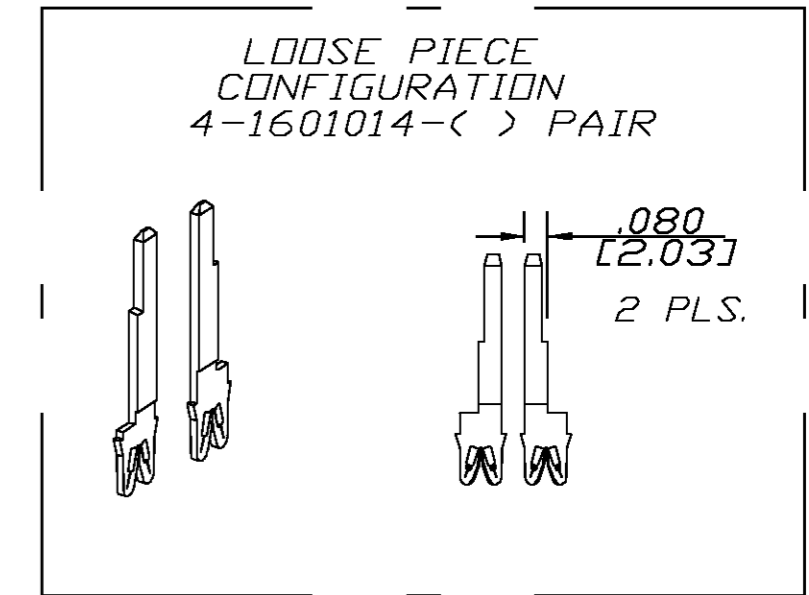
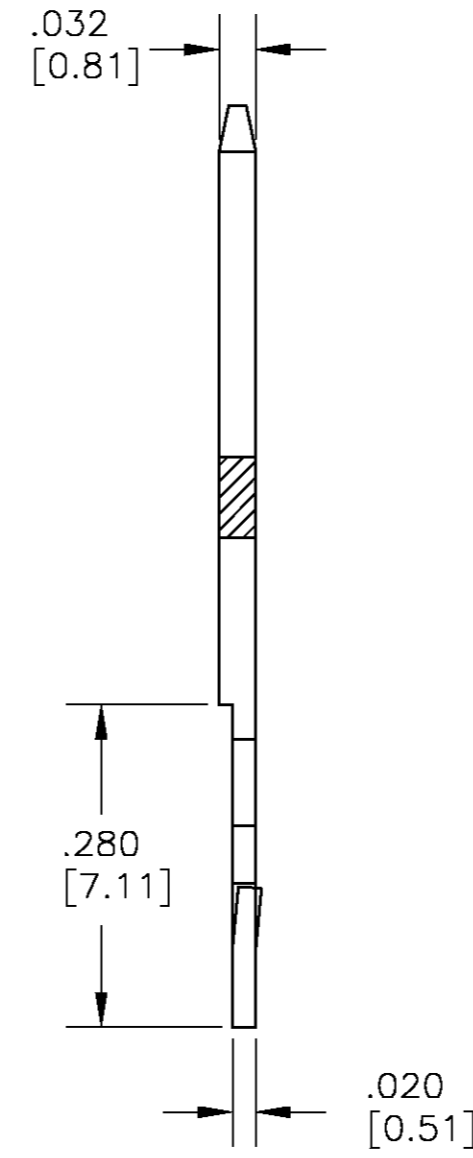
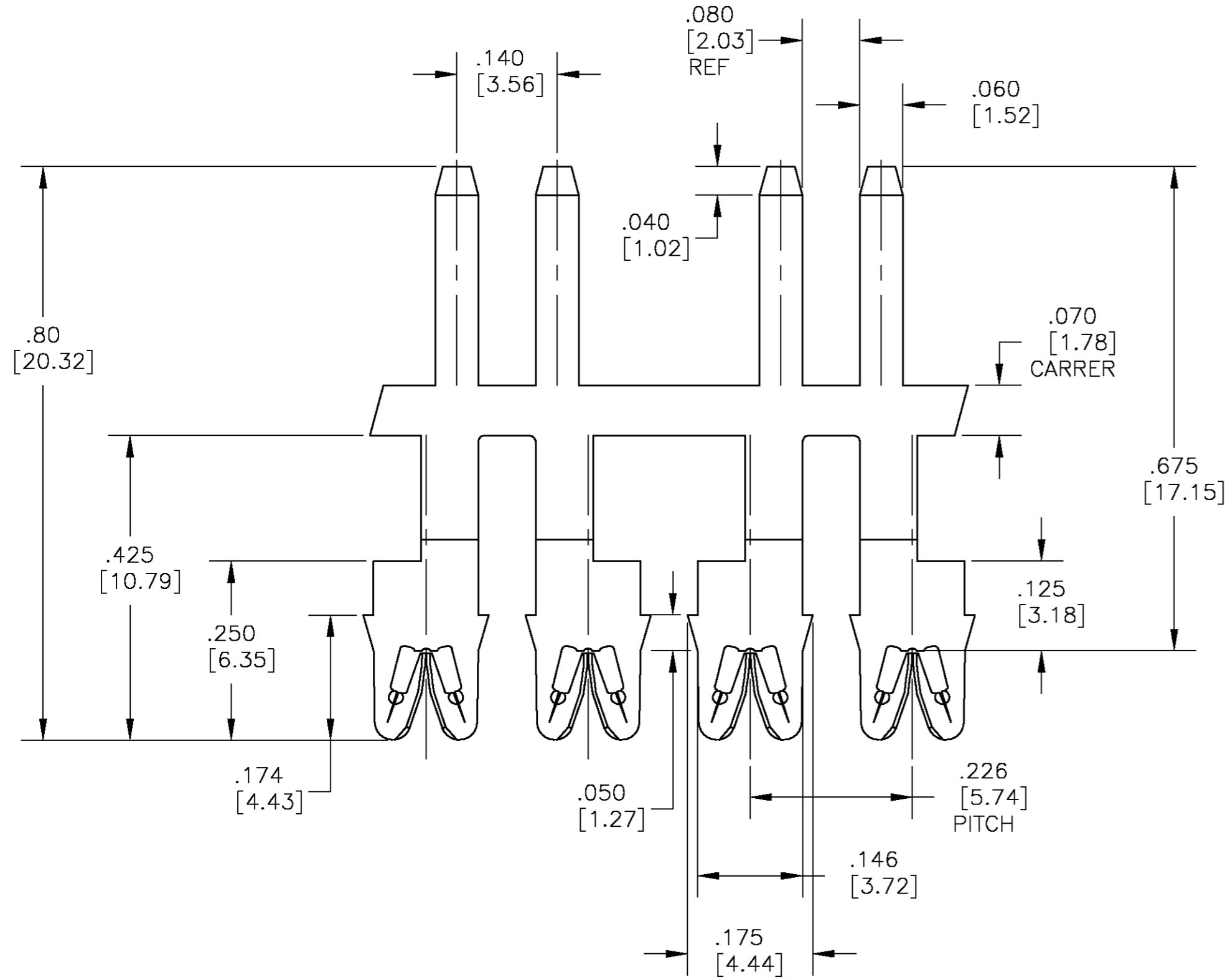
THIS DRAWING IS UNPUBLISHED. RELEASED FOR PUBLICATION
 © COPYRIGHT BY TYCO ELECTRONICS CORPORATION. ALL RIGHTS RESERVED.

LOC	DIST	REVISIONS			
P	LTR	DESCRIPTION	DATE	DWN	APVD
AF	50	C	REV PER 0663-0020-03	25APR02	RF GJ

1. SPECIFICATIONS:
 MAGNET WIRE #34 - #18 AWG,
 .006" [0.16mm] - .040" [1.02mm] DIA.
 OTHER SIZES MAY BE ACCOMMODATED,
 CONSULT TYCO ELECTRONICS FOR APPROVAL.

2. POCKET RECOMMENDATION:
 #1601427

3. NOTES:
 EACH PART NO. REPRESENTS ONE
 PAIR OF TERMINALS, ONE LEFT
 HAND & ONE RIGHT HAND AS SHOWN



-	-	-
-	-	-
-	-	-
-	-	-
Pre-Tin Plate over Copper Underplate	131-034-014	2-1601014-2
Pre-Tin Plate over Copper Underplate	131-033-014	1601014-2
FINISH	REFERENCE PART NUMBER	TYCO PART NUMBER
THIS DRAWING IS A CONTROLLED DOCUMENT.	DWN 11JAN2002 J.WELLER	Tyco Electronics Corporation Harrisburg, PA 17105-3608
DIMENSIONS: INCHES	CHK 11JAN2002 M.FEHER	
TOLERANCES UNLESS OTHERWISE SPECIFIED:	APVD 11JAN2002 K.RANDOLPH	
0 PLC ± - 1 PLC ± - 2 PLC ± .01[0.25] 3 PLC ± .005[0.13] 4 PLC ± - 2 ANGLES ± 2	PRODUCT SPEC 108-2085 APPLICATION SPEC 408-8629	
MATERIAL BRASS, 3/4 HARD	FINISH SEE TABLE	NAME STANDARD RANGE WIRE TO .060" OFFSET TAB PAIR SIAMEZE TERMINAL
WEIGHT -	SCALE 6:1	SIZE A2
CUSTOMER DRAWING	SHEET 1 OF 1	DRAWING NO C=1601014
	REV C	RESTRICTED TO -