



Chipsmall Limited consists of a professional team with an average of over 10 year of expertise in the distribution of electronic components. Based in Hongkong, we have already established firm and mutual-benefit business relationships with customers from,Europe,America and south Asia,supplying obsolete and hard-to-find components to meet their specific needs.

With the principle of “Quality Parts,Customers Priority,Honest Operation,and Considerate Service”,our business mainly focus on the distribution of electronic components. Line cards we deal with include Microchip,ALPS,ROHM,Xilinx,Pulse,ON,Everlight and Freescale. Main products comprise IC,Modules,Potentiometer,IC Socket,Relay,Connector.Our parts cover such applications as commercial,industrial, and automotives areas.

We are looking forward to setting up business relationship with you and hope to provide you with the best service and solution. Let us make a better world for our industry!



Contact us

Tel: +86-755-8981 8866 Fax: +86-755-8427 6832

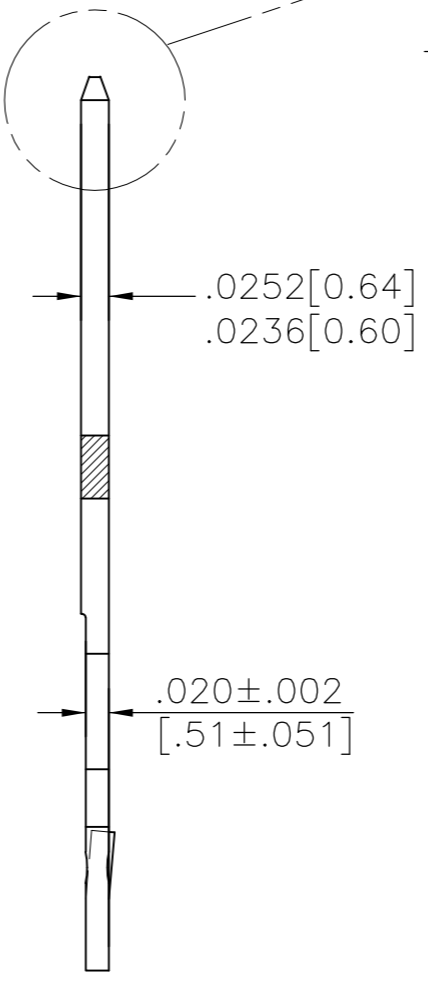
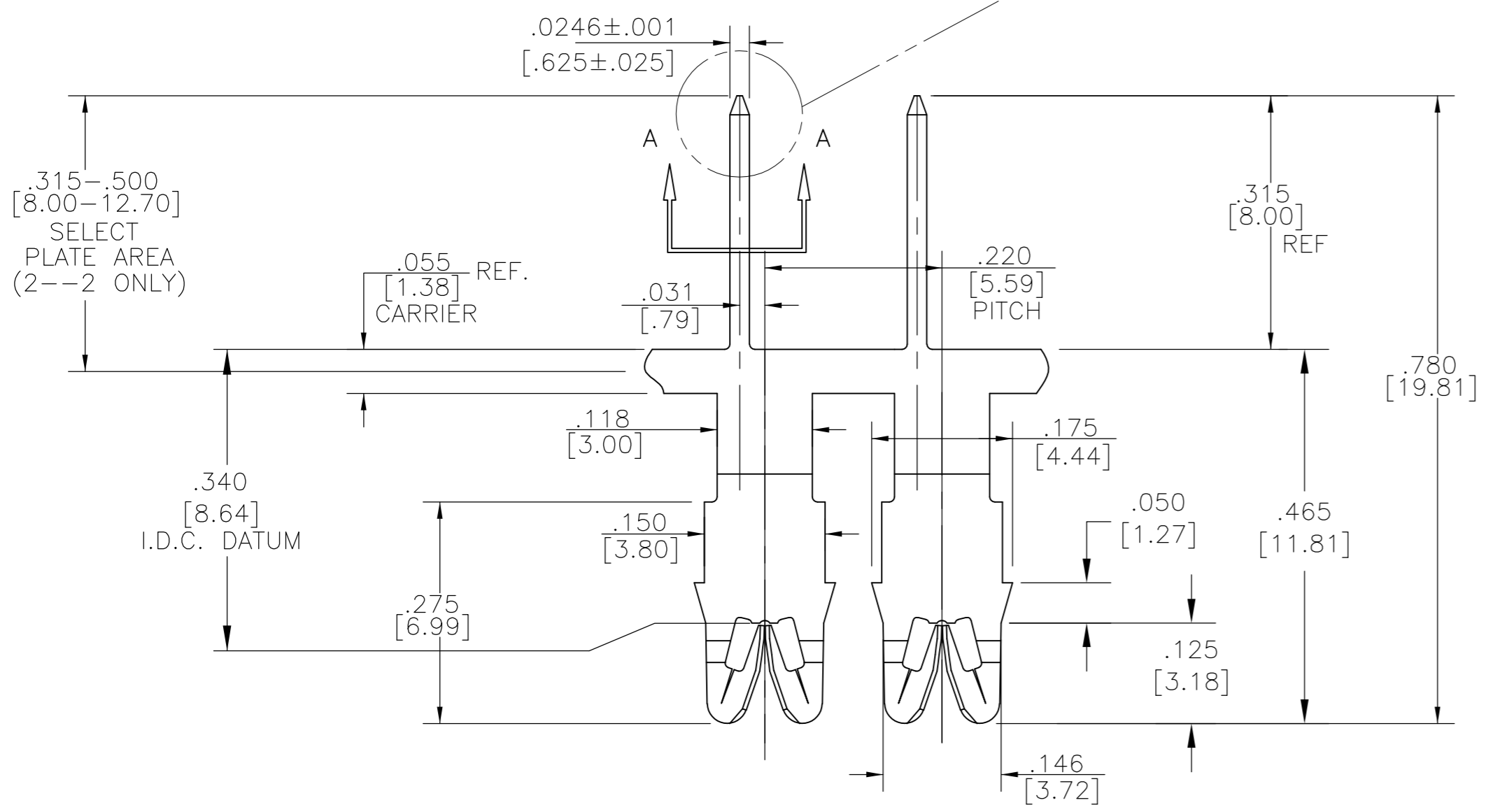
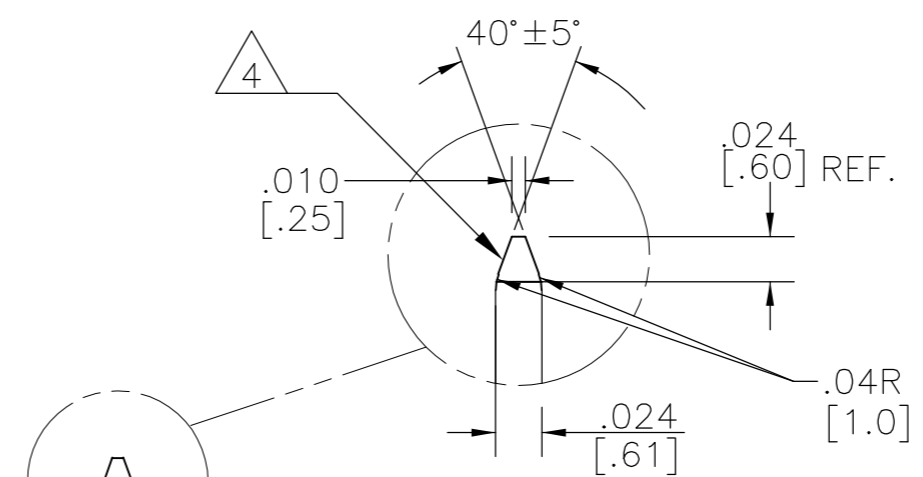
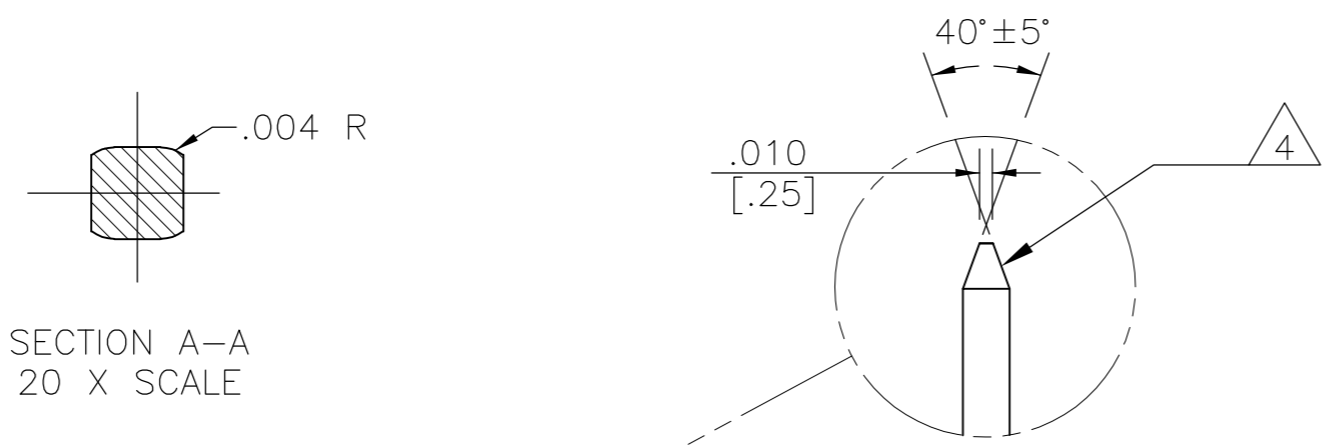
Email & Skype: info@chipsmall.com Web: www.chipsmall.com

Address: A1208, Overseas Decoration Building, #122 Zhenhua RD., Futian, Shenzhen, China

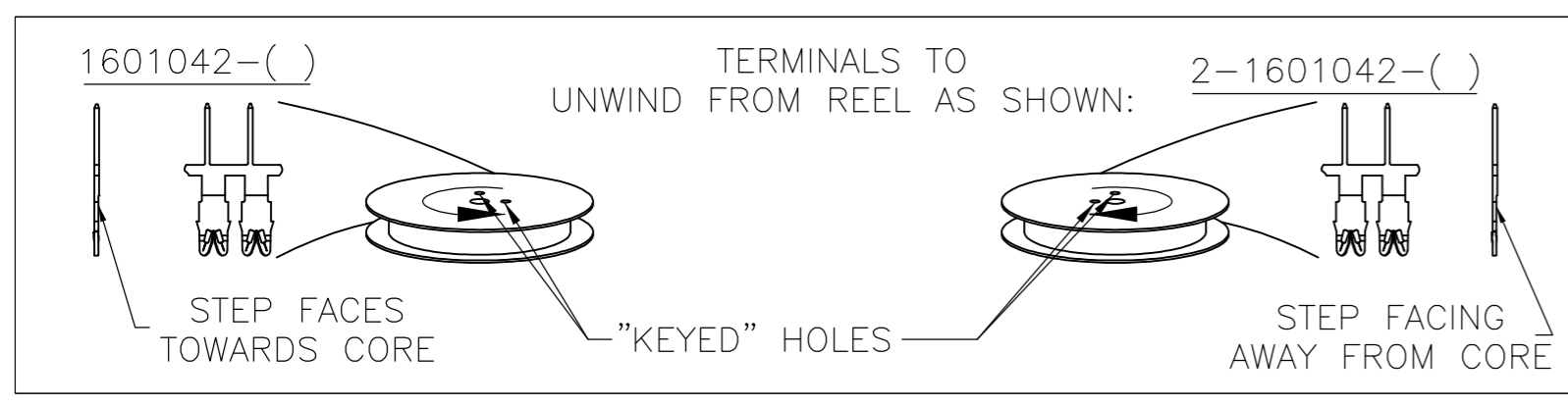
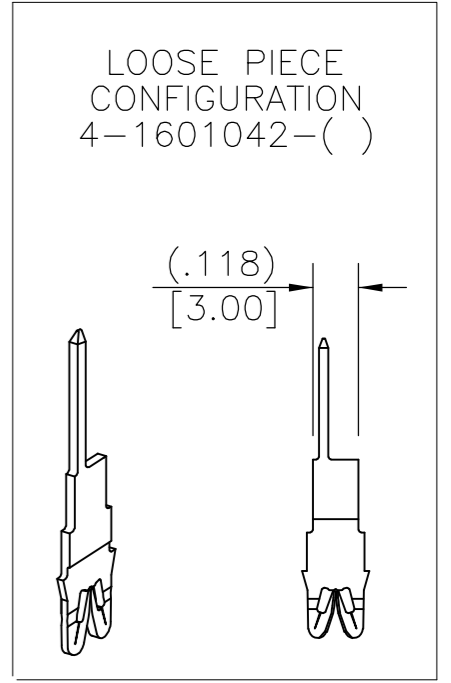


THIS DRAWING IS UNPUBLISHED. RELEASED FOR PUBLICATION
 © COPYRIGHT - By - ALL RIGHTS RESERVED.

LOC	DIST	REVISIONS			
P	LTR	DESCRIPTION	DATE	DWN	APVD
AF	50				
	C3	REVISED PER ECR-13-015346	03OCT2013	KH	GJ



- 1 SPECIFICATIONS:
MAGNET WIRE #18 - #34 AWG,
.040"(1.02mm)-.006"(0.16mm) DIA COPPER.
OTHER SIZES MAY BE ACCOMMODATED,
CONSULT TYCO ELECTRONICS FOR APPROVAL.
- 2 POCKET RECOMMENDATION:
#1601424
- 3 TERMINAL APPLICATION TO COMPLY WITH
TYCO ELECTRONICS SPECIFICATION 114-13166.
CONSULT TYCO ELECTRONICS ENGINEERING
FOR THE PROPER INSERTION DEPTH.
- 4 TIP MAY BE RADIUSED WITHIN DIMENSIONS
SHOWN AND HAVE CONVEX SIDES.
- 5 TWO(2) TERMINALS SHOWN FOR ILLUSTRATION
PURPOSES ONLY
- 6 PRELIMINARY - NOT FOR PRODUCTION



-	-	-
-	-	-
-	-	-
PRE-TIN PLATE OVER NICKEL UNDERPLATE	-	2-1601042-3
SELECTIVE POST TIN PLATE OVER NICKEL UNDERPLATE	131-090-120	2-1601042-2
UNPLATED	131-089-000	1601042-1
FINISH	REFERENCE PART NUMBER	PART NUMBER

THIS DRAWING IS A CONTROLLED DOCUMENT.		DWN J.WELLER 11JAN2002	TE Connectivity	
DIMENSIONS: INCHES		CHK M.FEHER 11JAN2002	APVD K.RANDOLPH 11JAN2002	
TOLERANCES UNLESS OTHERWISE SPECIFIED:		NAME		
0 PLC ± -		PRODUCT SPEC		
1 PLC ± -		108-2085		
2 PLC ± .01[0.25]		APPLICATION SPEC		
3 PLC ± .005[0.13]		SIZE CAGE CODE DRAWING NO RESTRICTED TO		
4 PLC ± -		A2 00779 C=1601042		
ANGLES ± 2°		SCALE 1:1 SHEET 1 OF 1 REV C3		
MATERIAL BRASS, 3/4 HARD	FINISH SEE TABLE	WEIGHT -	CUSTOMER DRAWING	