



Chipsmall Limited consists of a professional team with an average of over 10 year of expertise in the distribution of electronic components. Based in Hongkong, we have already established firm and mutual-benefit business relationships with customers from,Europe,America and south Asia,supplying obsolete and hard-to-find components to meet their specific needs.

With the principle of “Quality Parts,Customers Priority,Honest Operation,and Considerate Service”,our business mainly focus on the distribution of electronic components. Line cards we deal with include Microchip,ALPS,ROHM,Xilinx,Pulse,ON,Everlight and Freescale. Main products comprise IC,Modules,Potentiometer,IC Socket,Relay,Connector.Our parts cover such applications as commercial,industrial, and automotives areas.

We are looking forward to setting up business relationship with you and hope to provide you with the best service and solution. Let us make a better world for our industry!



Contact us

Tel: +86-755-8981 8866 Fax: +86-755-8427 6832

Email & Skype: info@chipsmall.com Web: www.chipsmall.com

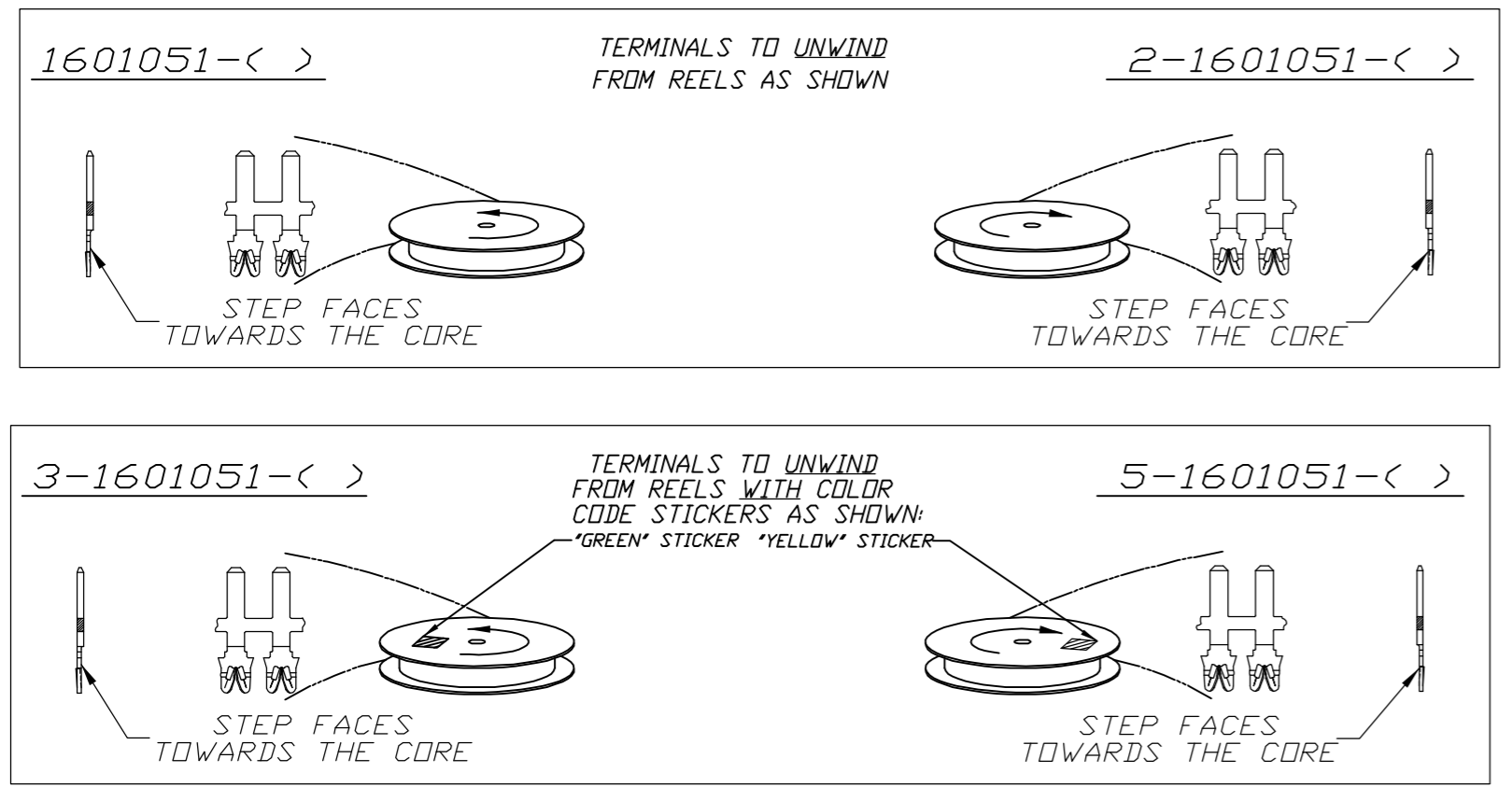
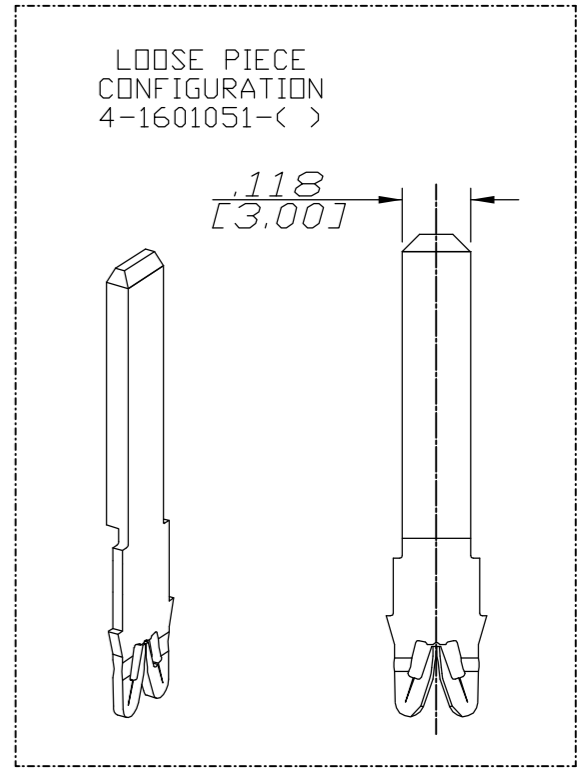
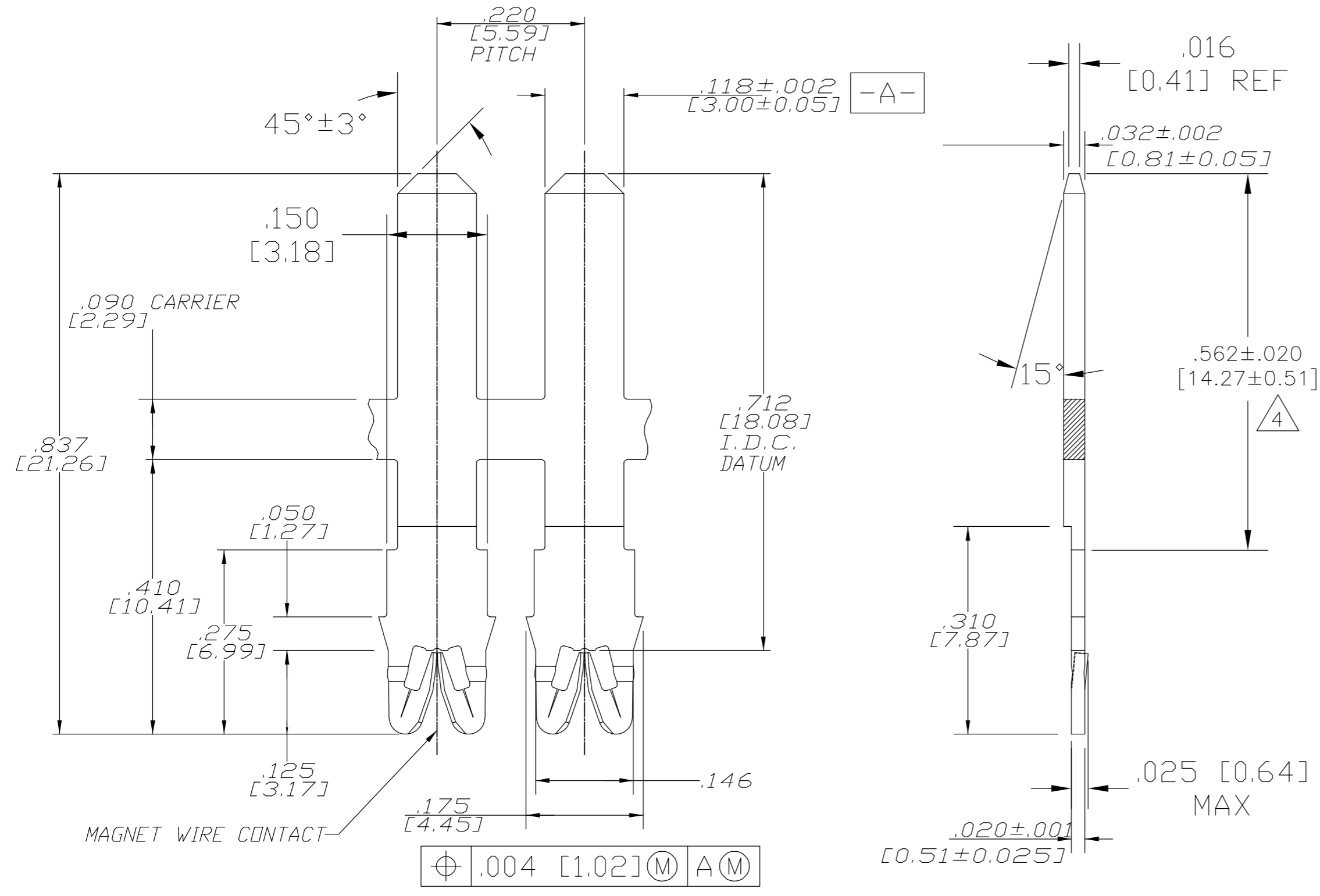
Address: A1208, Overseas Decoration Building, #122 Zhenhua RD., Futian, Shenzhen, China



THIS DRAWING IS UNPUBLISHED. RELEASED FOR PUBLICATION
 © COPYRIGHT BY TYCO ELECTRONICS CORPORATION. ALL RIGHTS RESERVED.

LOC		DIST		REVISIONS			
P	LTR	DESCRIPTION	DATE	DWN	APVD		
AF	50	E1	REVISED PER ECR 05-008133	19AUG05	JR	KR	

1. SPECIFICATIONS:
 MAGNET WIRE #18 - #34 AWG,
 .040"(.02mm)-.006"(.016mm) DIA. COPPER
 OTHER SIZES MAY BE ACCOMMODATED,
 CONSULT TYCO ELECTRONICS FOR APPROVAL.
2. POCKET RECOMMENDATION:
 #1601425
3. PRELIMINARY - NOT FOR PRODUCTION.
4. SELECTIVE PLATE THIS AREA:
 .000030 [0.00076] MIN GOLD PLATE OVER
 .000050 [0.00127] MIN NICKEL UNDERPLATE
 OVER ENTIRE TERMINAL.



FINISH	REFERENCE PART NUMBER	TYCO PART NUMBER
Pre-Tin Plate over Copper Underplate	-	2-1601051-2
4	-	3 1601051-3
UNPLATED	-	3 1601051-1
Pre-Tin Plate over Copper Underplate	-	3 5-1601051-2
Pre-Tin Plate over Copper Underplate	-	3 3-1601051-2
Pre-Tin Plate over Copper Underplate	031-113-014	4-1601051-2
Pre-Tin Plate over Copper Underplate	131-113-014	1601051-2
FINISH		TYCO PART NUMBER
THIS DRAWING IS A CONTROLLED DOCUMENT.		NAME
DWN J.WELLER 11JAN2002		tyco Tyco Electronics Corporation Electronics Harrisburg, Pa 17105-3608
CHK M.FEHER 11JAN2002		
APVD K.RANDOLPH 11JAN2002		
PRODUCT SPEC		
DIMENSIONS: INCHES		APPLICATION SPEC
TOLERANCES UNLESS OTHERWISE SPECIFIED:		408-8629
0 PLC ± -	1 PLC ± -	WEIGHT -
2 PLC ± .01[0.25]	3 PLC ± .005[0.13]	SIZE A2
4 PLC ± -	ANGLES ± 2°	CAGE CODE 00779
MATERIAL BRASS, 3/4 HARD	FINISH SEE TABLE	DRAWING NO C=1601051
CUSTOMER DRAWING		RESTRICTED TO -
SCALE 1:1		SHEET 1 OF 1
		REV E1