



Chipsmall Limited consists of a professional team with an average of over 10 year of expertise in the distribution of electronic components. Based in Hongkong, we have already established firm and mutual-benefit business relationships with customers from,Europe,America and south Asia,supplying obsolete and hard-to-find components to meet their specific needs.

With the principle of “Quality Parts,Customers Priority,Honest Operation,and Considerate Service”,our business mainly focus on the distribution of electronic components. Line cards we deal with include Microchip,ALPS,ROHM,Xilinx,Pulse,ON,Everlight and Freescale. Main products comprise IC,Modules,Potentiometer,IC Socket,Relay,Connector.Our parts cover such applications as commercial,industrial, and automotives areas.

We are looking forward to setting up business relationship with you and hope to provide you with the best service and solution. Let us make a better world for our industry!



Contact us

Tel: +86-755-8981 8866 Fax: +86-755-8427 6832

Email & Skype: info@chipsmall.com Web: www.chipsmall.com

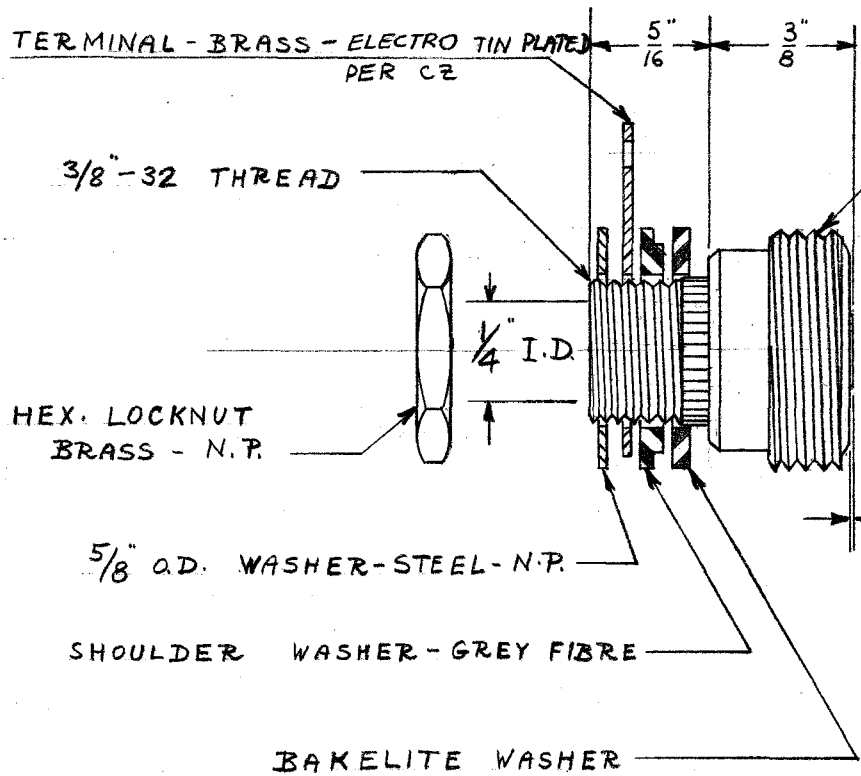
Address: A1208, Overseas Decoration Building, #122 Zhenhua RD., Futian, Shenzhen, China



MAX. PLATING .0003"

2501 MP

PART NO.



5/8"-27 THREAD

3/8"-32 THREAD

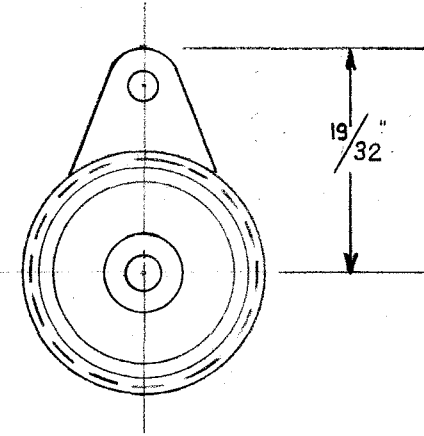
HEX. LOCKNUT
BRASS - N.P.

5/8" O.D. WASHER-STEEL-N.P.

SHOULDER WASHER - GREY FIBRE

BAKELITE WASHER

.002"
.010" (A)



MATERIALS:

1. BODY - BRASS - NICKEL PLATE
2. INSULATOR - PAPER BASE PHENOLIC
3. EYELET - BRASS - TIN PLATED

REVISIONS

2	(A) DIM. ADDED	12-18-53
A	ELECTRO TIN PLATED PER -C2 WAS NOT TINNED E.B. 11-9-88 ECO 14667	

SIZE

WIDTH

MULT.

LBS. PER M

USED ON	REQ.	NAME	DRAWN BY	DATE
		SINGLE CONTACT PANEL CONNECTOR MALE TYPE	L.D.	8-11-52
FINISH		MATERIAL	CHECKED	APPROVED
			<i>[Signature]</i>	
DECIMAL DIMENSIONS ± .005" FRACTIONAL DIMENSIONS ± 1/64"		REMOVE ALL BURRS DO NOT SCALE DRAWING	SOURCE	SCALE
			ISSUE	DATE
			A	12-18-53

SWITCHCRAFT, INC.
1328 N. HALSTED ST. CHICAGO 22, ILLINOIS

PART NO.
2501 MP