



Chipsmall Limited consists of a professional team with an average of over 10 year of expertise in the distribution of electronic components. Based in Hongkong, we have already established firm and mutual-benefit business relationships with customers from,Europe,America and south Asia,supplying obsolete and hard-to-find components to meet their specific needs.

With the principle of “Quality Parts,Customers Priority,Honest Operation,and Considerate Service”,our business mainly focus on the distribution of electronic components. Line cards we deal with include Microchip,ALPS,ROHM,Xilinx,Pulse,ON,Everlight and Freescale. Main products comprise IC,Modules,Potentiometer,IC Socket,Relay,Connector.Our parts cover such applications as commercial,industrial, and automotives areas.

We are looking forward to setting up business relationship with you and hope to provide you with the best service and solution. Let us make a better world for our industry!



Contact us

Tel: +86-755-8981 8866 Fax: +86-755-8427 6832

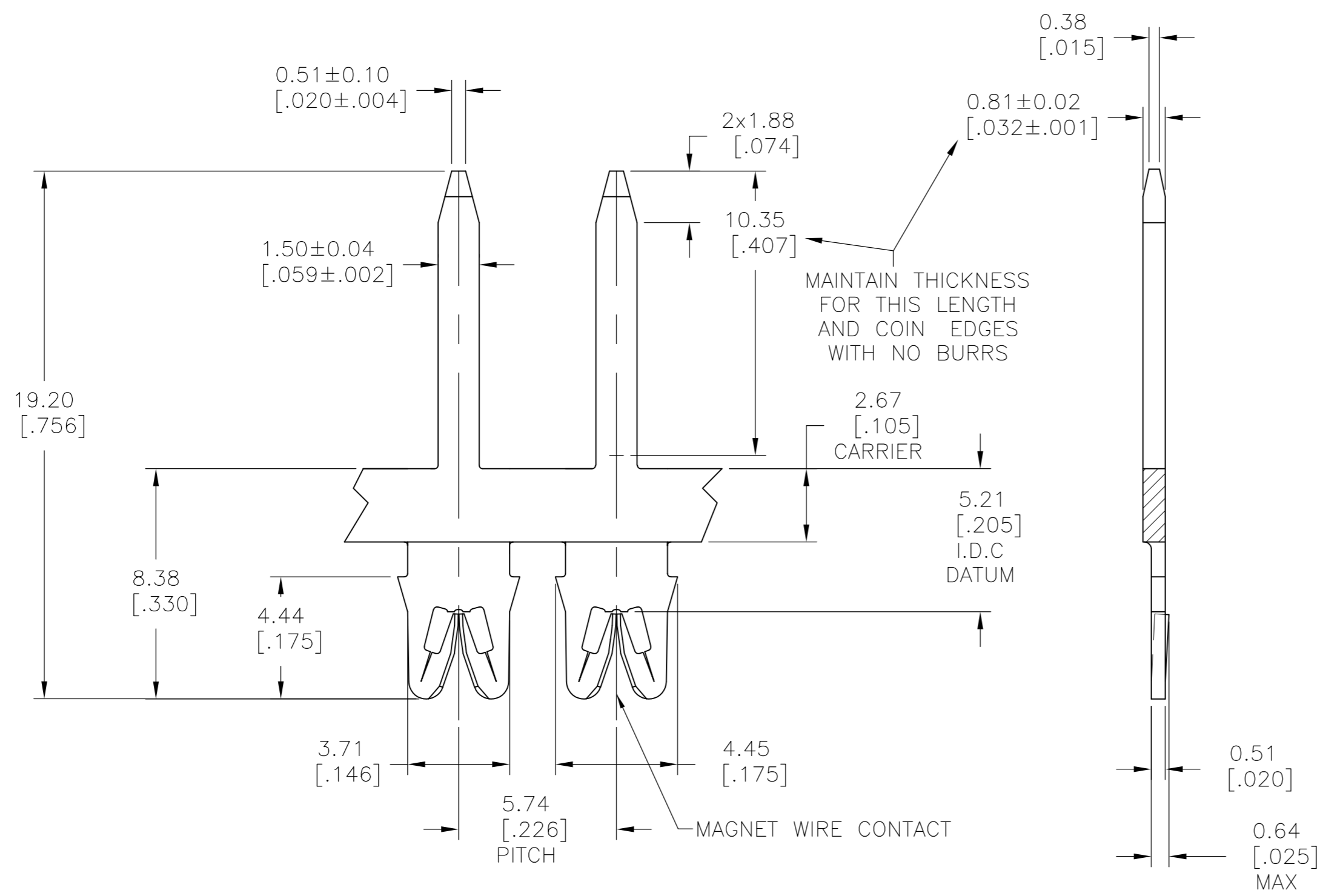
Email & Skype: info@chipsmall.com Web: www.chipsmall.com

Address: A1208, Overseas Decoration Building, #122 Zhenhua RD., Futian, Shenzhen, China

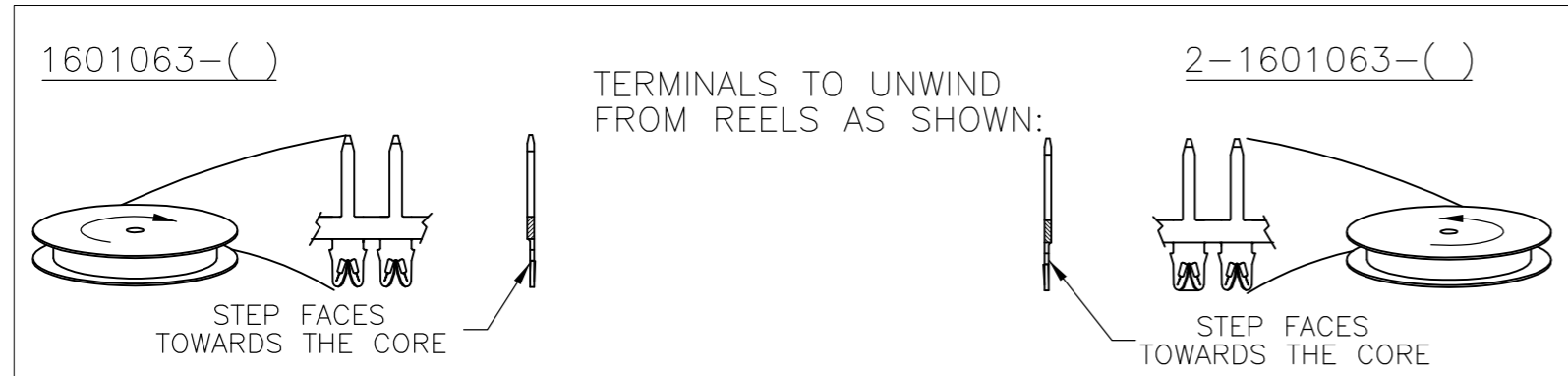
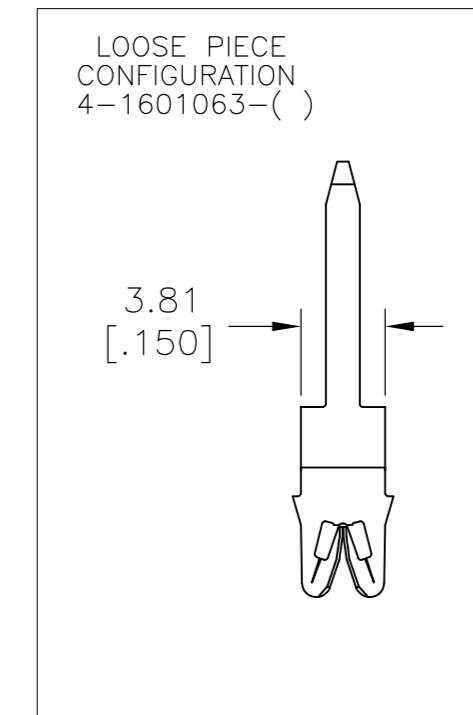


THIS DRAWING IS UNPUBLISHED. RELEASED FOR PUBLICATION
 © COPYRIGHT BY TYCO ELECTRONICS CORPORATION. ALL INTERNATIONAL RIGHTS RESERVED.

LOC		DIST		REVISIONS			
P	LTR	DESCRIPTION		DATE	DWN	APVD	
D2	50	D3	REVISED PER ECR-10-013696	19AUG10	HMR	GJ	



- 1 SPECIFICATIONS:
MAGNET WIRE #18- #34 AWG
1.02 mm(.040)- 0.16 mm(.006) DIA COPPER.
- 2 POCKET RECOMMENDATION: #1601431
- 3 TERMINAL APPLICATION TO COMPLY WITH TYCO ELECTRONICS SPECIFICATION 114-13166 FIGURE 10.
- 4 PRELIMINARY - NOT FOR PREPRODUCTION
- 5 OBSOLETE PARTS: OBSOLETE CIS STREAMLINING PER D.RENAUD/D.SINISI.
- 6 TWO(2) TERMINALS SHOWN FOR ILLUSTRATION PURPOSES ONLY.



	POST TIN OVER NICKEL		4-1601063-3
	POST TIN OVER NICKEL		1601063-3
5	OBSOLETE	PRE TIN PLATE	031-129-021 4-1601063-2
		PRE TIN PLATE	131-130-021 2-1601063-2
		PRE TIN PLATE	131-129-021 1601063-2
	FINISH	REFERENCE PART NUMBER	TE PART NUMBER
THIS DRAWING IS A CONTROLLED DOCUMENT.		DWN J.WELLER 11JAN2002	Tyco Electronics Corporation Harrisburg, PA 17105-3608
DIMENSIONS: mm [INCHES]		CHK M.FEHER 11JAN2002	
TOLERANCES UNLESS OTHERWISE SPECIFIED:		APVD K.RANDOLPH 11JAN2002	NAME STANDARD RANGE WIRE TO 1.50 X 0.81 TAB SIAMEZE TERMINAL
0 PLC ± -		PRODUCT SPEC 108-2085	
1 PLC ± -		APPLICATION SPEC	SIZE A2
2 PLC ± 0.13[.005]		WEIGHT -	CAGE CODE 00779
3 PLC ± -		FINISH SEE TABLE	DRAWING NO C=1601063
4 PLC ± -			RESTRICTED TO -
ANGLES ± 2°			SCALE 6:1
MATERIAL BRASS, 3/4 HARD			SHEET 1 of 1
		CUSTOMER DRAWING	REV D3