



Chipsmall Limited consists of a professional team with an average of over 10 year of expertise in the distribution of electronic components. Based in Hongkong, we have already established firm and mutual-benefit business relationships with customers from,Europe,America and south Asia,supplying obsolete and hard-to-find components to meet their specific needs.

With the principle of “Quality Parts,Customers Priority,Honest Operation,and Considerate Service”,our business mainly focus on the distribution of electronic components. Line cards we deal with include Microchip,ALPS,ROHM,Xilinx,Pulse,ON,Everlight and Freescale. Main products comprise IC,Modules,Potentiometer,IC Socket,Relay,Connector.Our parts cover such applications as commercial,industrial, and automotives areas.

We are looking forward to setting up business relationship with you and hope to provide you with the best service and solution. Let us make a better world for our industry!



## Contact us

Tel: +86-755-8981 8866 Fax: +86-755-8427 6832

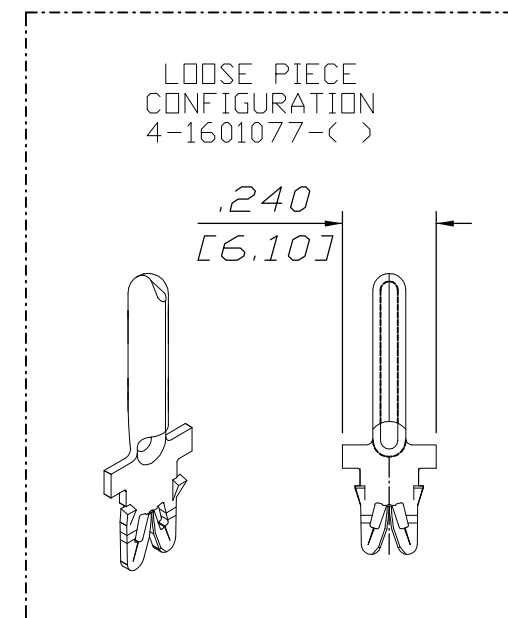
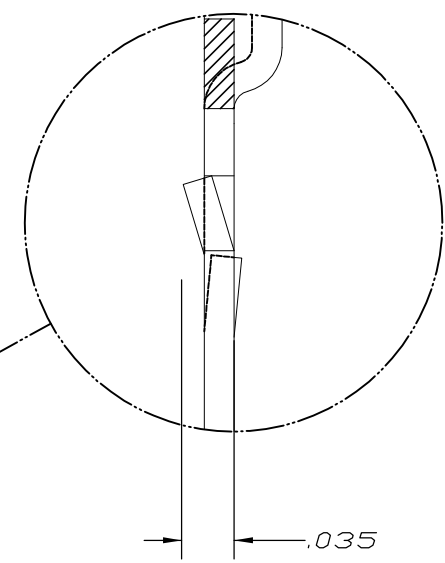
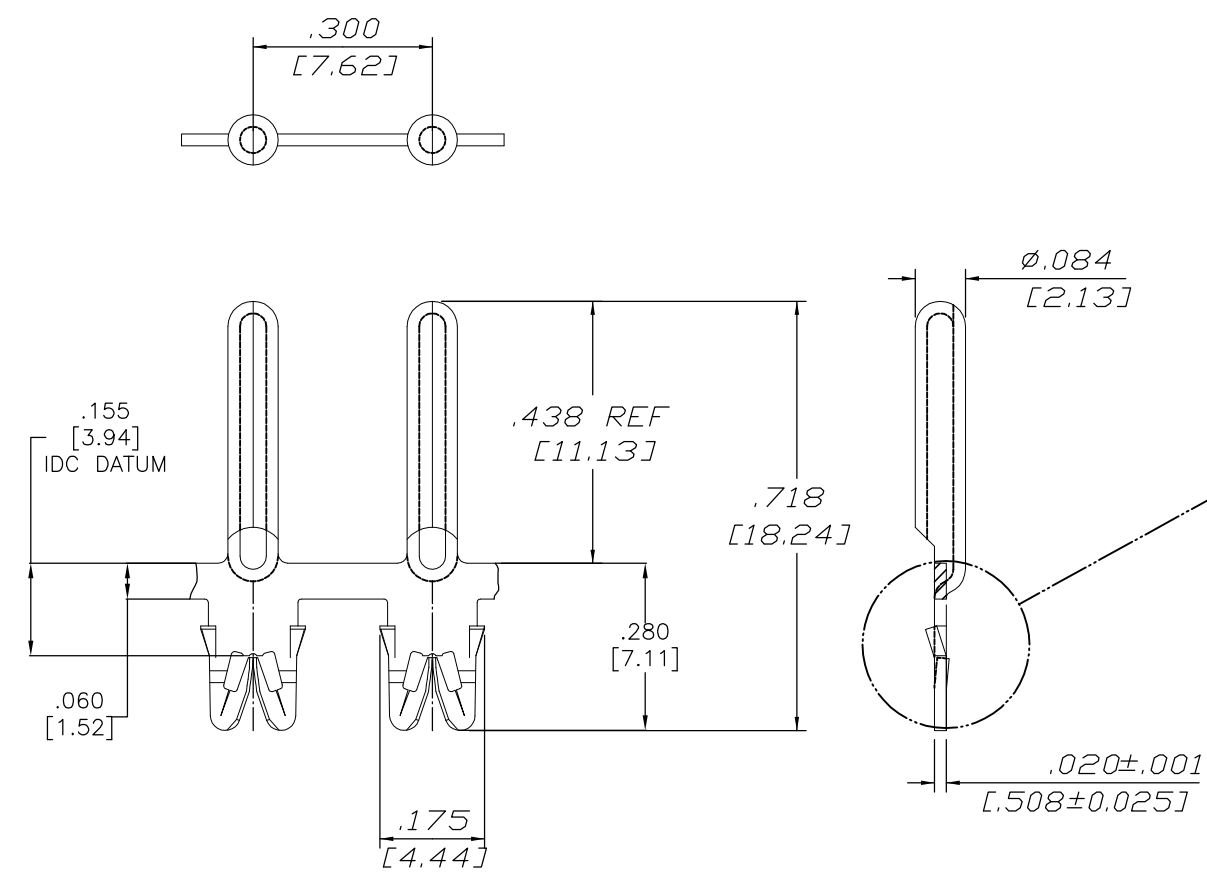
Email & Skype: info@chipsmall.com Web: www.chipsmall.com

Address: A1208, Overseas Decoration Building, #122 Zhenhua RD., Futian, Shenzhen, China

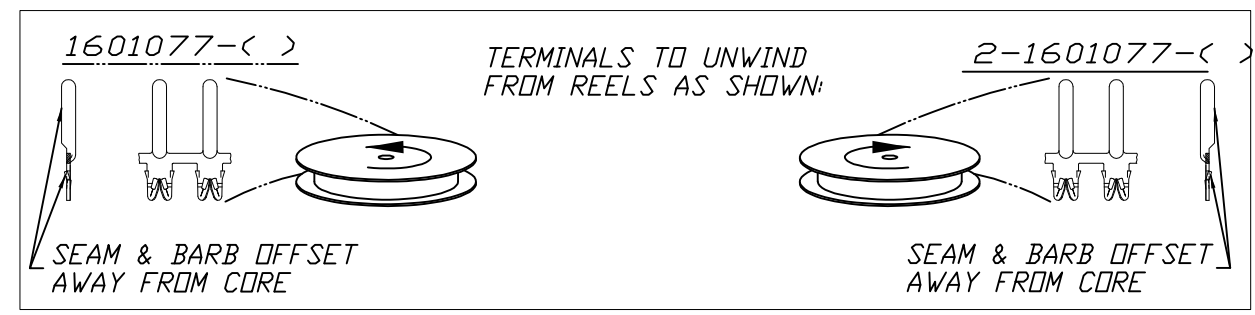


THIS DRAWING IS UNPUBLISHED. RELEASED FOR PUBLICATION  
 © COPYRIGHT - By - ALL RIGHTS RESERVED.

LOC	DIST	REVISIONS			
P	LTR	DESCRIPTION	DATE	DWN	APVD
AF	50	B1	REVISE PER ECR-14-017292	19NOV2014	GRZ JL



- SPECIFICATIONS:  
MAGNET WIRE #18-#34 AWG  
.040" (1.02 mm) - .006" (0.16 mm) DIA
- POCKET RECOMMENDATION:  
#1601424
- NOTES:  
TERMINALS SUPPLIED ON REELS,  
CAN BE SUPPLIED LOOSE PIECE,



-	-	-
-	-	-
-	-	-
-	-	-
Unplated	131-148-000	2-1601077-1
OBSOLETE	Unplated	131-147-000
FINISH	REFERENCE PART NUMBER	TE PART NUMBER

THIS DRAWING IS A CONTROLLED DOCUMENT.

DIMENSIONS: mm	TOLERANCES UNLESS OTHERWISE SPECIFIED:	DWN J.WELLER 11JAN2002	TE Connectivity .084 PIN STANDARD SIAMEZE TERMINAL
	0 PLC ± -	CHK M.FEHER 11JAN2002	
	1 PLC ± -	APVD K.RANDOLPH 11JAN2002	
	2 PLC ± .01[0.25]	NAME	
	3 PLC ± .005[0.13]	PRODUCT SPEC	108-2085
	4 PLC ± -	APPLICATION SPEC	408-8629
	ANGLES ± 2°	WEIGHT	-
MATERIAL BRASS, EXTRA HARD	FINISH SEE TABLE	CUSTOMER DRAWING	SIZE A3 CAGE CODE 00779 DRAWING NO C-1601077 RESTRICTED TO - SCALE 4:1 SHEET 1 OF 1 REV B1