



Chipsmall Limited consists of a professional team with an average of over 10 year of expertise in the distribution of electronic components. Based in Hongkong, we have already established firm and mutual-benefit business relationships with customers from,Europe,America and south Asia,supplying obsolete and hard-to-find components to meet their specific needs.

With the principle of "Quality Parts,Customers Priority,Honest Operation,and Considerate Service",our business mainly focus on the distribution of electronic components. Line cards we deal with include Microchip,ALPS,ROHM,Xilinx,Pulse,ON,Everlight and Freescale. Main products comprise IC,Modules,Potentiometer,IC Socket,Relay,Connector.Our parts cover such applications as commercial,industrial, and automotives areas.

We are looking forward to setting up business relationship with you and hope to provide you with the best service and solution. Let us make a better world for our industry!



## Contact us

Tel: +86-755-8981 8866 Fax: +86-755-8427 6832

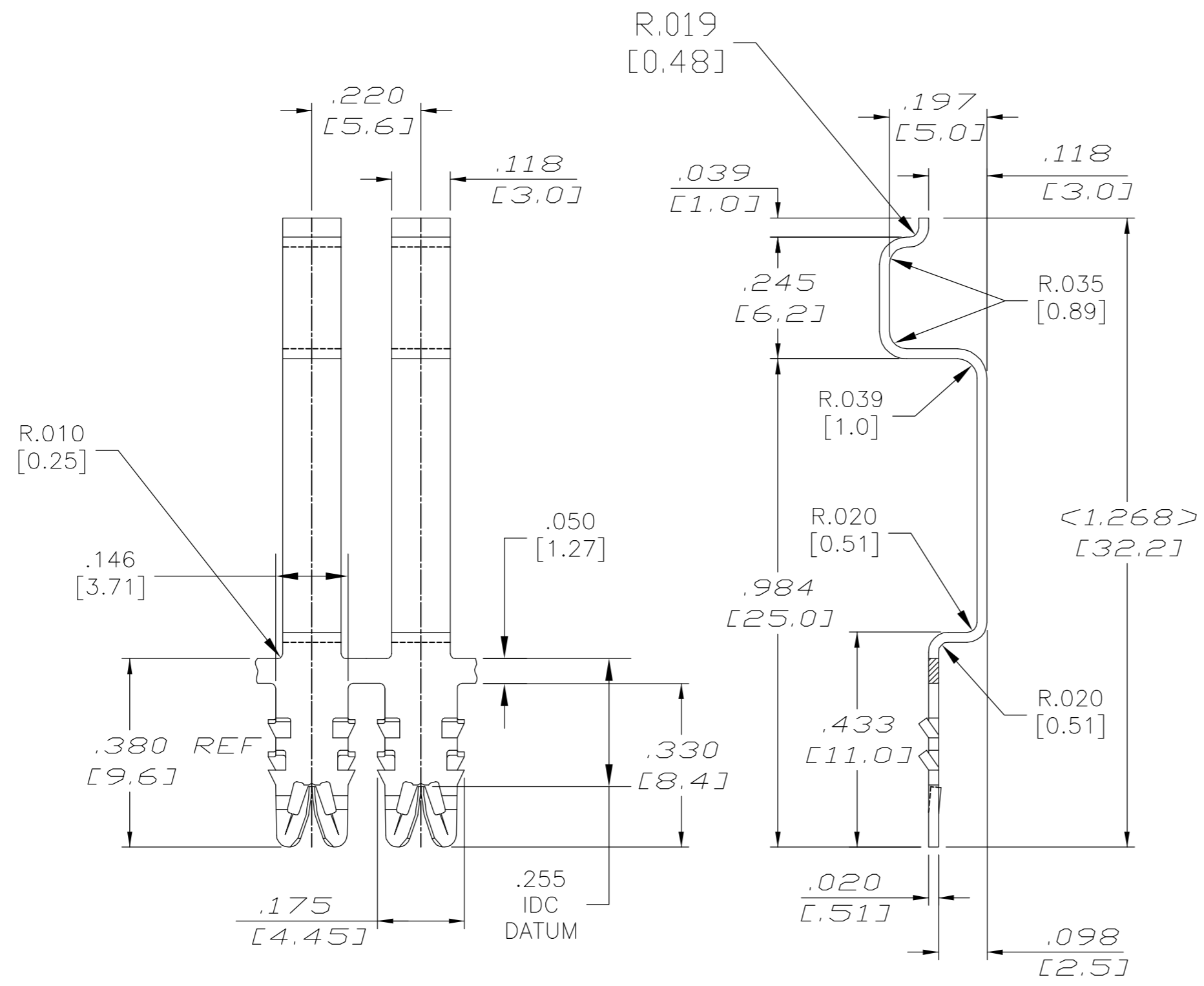
Email & Skype: info@chipsmall.com Web: www.chipsmall.com

Address: A1208, Overseas Decoration Building, #122 Zhenhua RD., Futian, Shenzhen, China

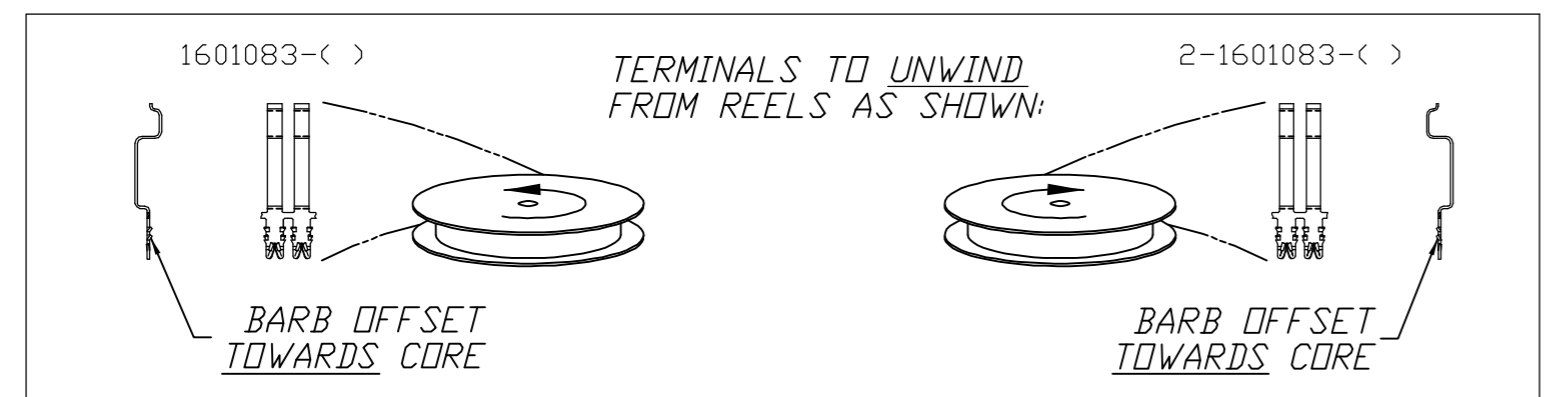
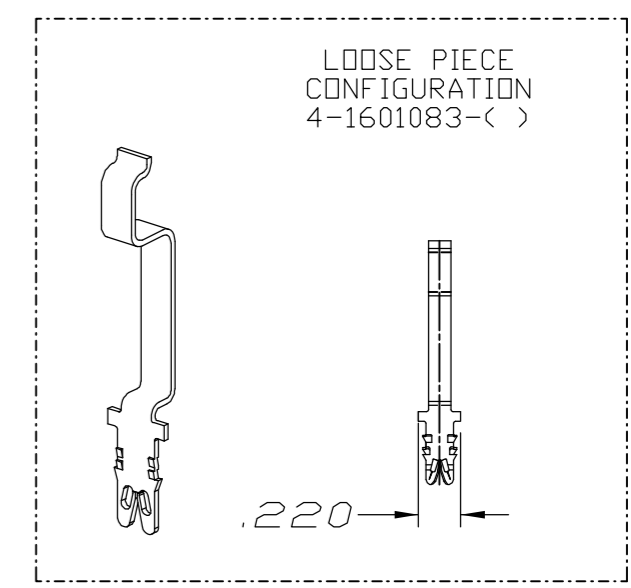


THIS DRAWING IS UNPUBLISHED. RELEASED FOR PUBLICATION  
 © COPYRIGHT BY TYCO ELECTRONICS CORPORATION. ALL RIGHTS RESERVED.

LOC		DIST		REVISIONS			
P	LTR	DESCRIPTION		DATE	DWN	APVD	
AF	50	D	REV PER ECR	06-006952	30MAR06	JR	GJ



1. SPECIFICATIONS:  
MAGNET WIRE #18 - #34 AWG,  
.040"(1.02MM)-.006"(0.16MM) DIA. COPPER  
OTHER SIZES MAY BE ACCOMMODATED,  
CONSULT TYCO ELECTRONICS FOR APPROVAL.
2. POCKET RECOMMENDATION:  
#1601425
3. NOTES:  
TERMINALS SUPPLIED ON REELS,  
CAN BE SUPPLIED LOOSE PIECE,
4. TERMINAL APPLICATION TO COMPLY WITH  
TYCO ELECTRONICS SPEC #114-13166, FIG 9
5. PRELIMINARY - NOT FOR PRODUCTION



OBSOLETE

FINISH	REFERENCE PART NUMBER	TYCO PART NUMBER
Pre-Tin Plate over Nickel Underplate	-	2-1601083-3
Pre-Tin Plate over Nickel Underplate	-	1601083-3
Pre-Silver Plate over Nickel Underplate	031-153-025	4-1601083-2
Pre-Silver Plate over Nickel Underplate	131-154-025	2-1601083-2
Pre-Silver Plate over Nickel Underplate	131-153-025	1601083-2

THIS DRAWING IS A CONTROLLED DOCUMENT.		DWN J.WELLER 11JAN2002	Tyco Electronics Corporation Harrisburg, PA 17105-3608
DIMENSIONS: INCHES		CHK M.FEHER 11JAN2002	
TOLERANCES UNLESS OTHERWISE SPECIFIED:		APVD K.RANDOLPH 11JAN2002	
0 PLC ± - 1 PLC ± - 2 PLC ± .01 [0.25] 3 PLC ± .005 [0.13] 4 PLC ± - ANGLES ± 2°		PRODUCT SPEC 108-2085 APPLICATION SPEC 4	
MATERIAL H04 FULL HARD	FINISH SEE TABLE	WEIGHT -	NAME STANDARD RANGE WIRE 54 MM CONTACTOR SIAMEZE TERMINAL SIZE A2 CAGE CODE 00779 DRAWING NO C=1601083 RESTRICTED TO - SCALE 4:1 SHEET 1 OF 1 REV D