



Chipsmall Limited consists of a professional team with an average of over 10 year of expertise in the distribution of electronic components. Based in Hongkong, we have already established firm and mutual-benefit business relationships with customers from,Europe,America and south Asia,supplying obsolete and hard-to-find components to meet their specific needs.

With the principle of "Quality Parts,Customers Priority,Honest Operation,and Considerate Service",our business mainly focus on the distribution of electronic components. Line cards we deal with include Microchip,ALPS,ROHM,Xilinx,Pulse,ON,Everlight and Freescale. Main products comprise IC,Modules,Potentiometer,IC Socket,Relay,Connector.Our parts cover such applications as commercial,industrial, and automotives areas.

We are looking forward to setting up business relationship with you and hope to provide you with the best service and solution. Let us make a better world for our industry!



Contact us

Tel: +86-755-8981 8866 Fax: +86-755-8427 6832

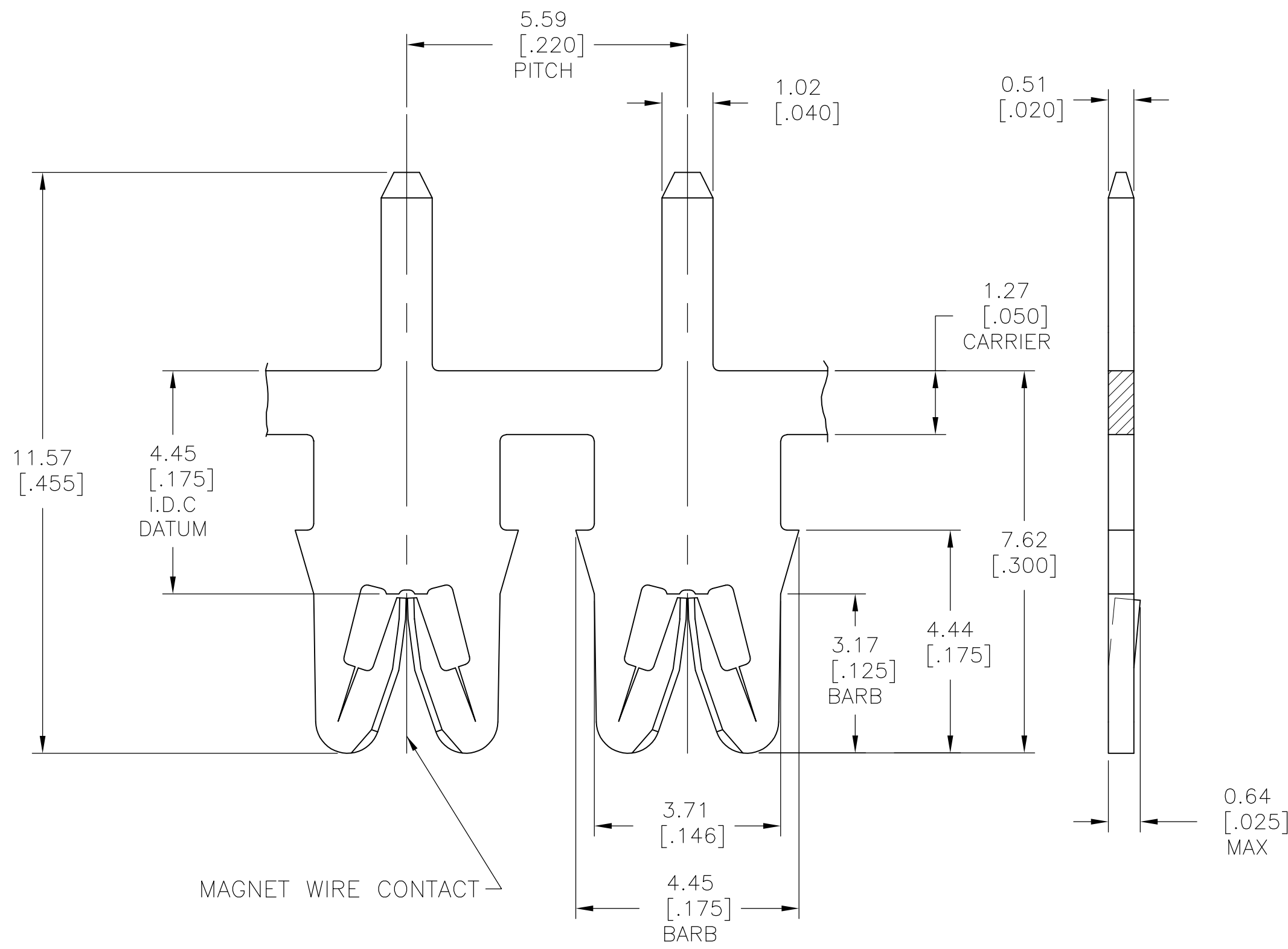
Email & Skype: info@chipsmall.com Web: www.chipsmall.com

Address: A1208, Overseas Decoration Building, #122 Zhenhua RD., Futian, Shenzhen, China

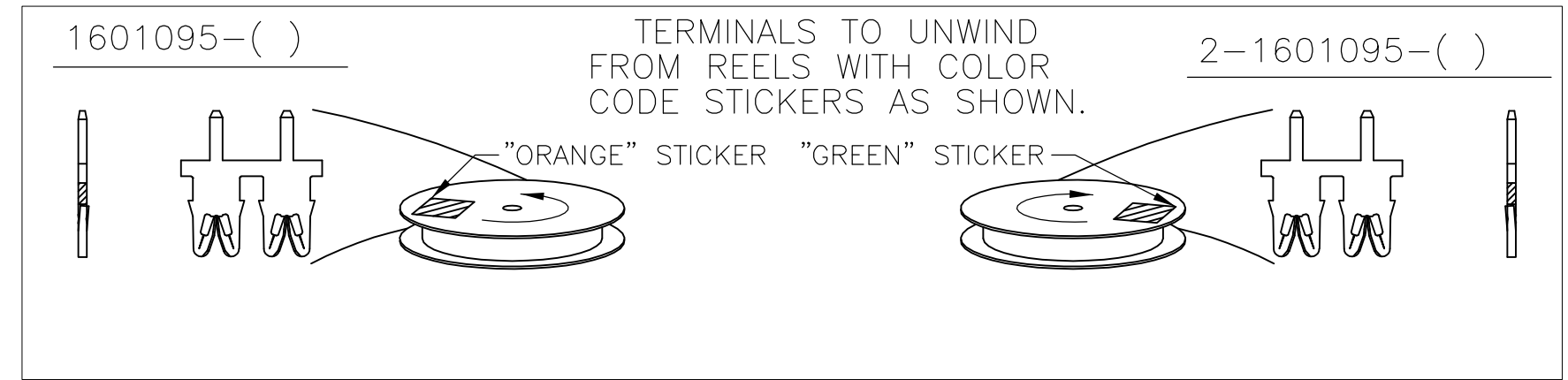
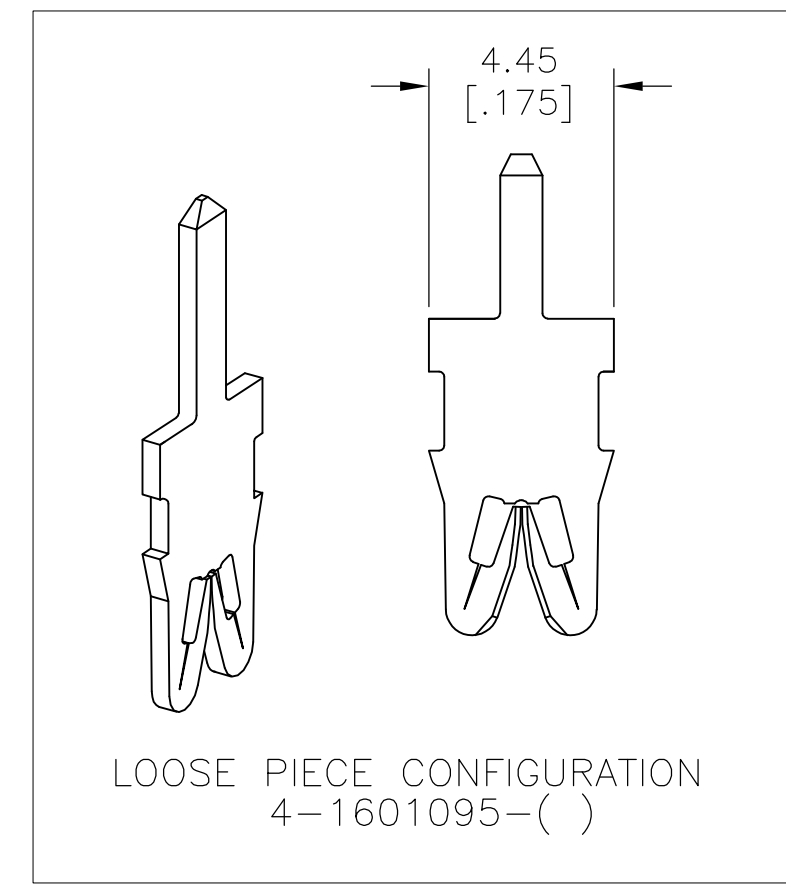


THIS DRAWING IS UNPUBLISHED. RELEASED FOR PUBLICATION
 © COPYRIGHT BY TYCO ELECTRONICS CORPORATION. ALL INTERNATIONAL RIGHTS RESERVED.

LOC		DIST		REVISIONS					
AF		50		P	LTR	DESCRIPTION	DATE	DWN	APVD
				C2		REVISED PER ECR-10-013696	19AUG10	HMR	GJ



- SPECIFICATIONS:
MAGNET WIRE #18 - #34 AWG,
1.02MM(.040)-0.16MM(.006) DIA. COPPER,
OTHER SIZES MAY BE ACCOMMODATED.
CONSULT TYCO ELECTRONICS FOR APPROVAL.
- POCKET RECOMMENDATION: #1601424
- TERMINAL APPLICATION TO COMPLY WITH TYCO ELECTRONICS SPECIFICATION 114-13166. CONSULT PRODUCT ENGINEERING FOR PROPER INSERTION.
- PRELIMINARY - NOT FOR PRODUCTION
- TWO(2) TERMINALS SHOWN FOR ILLUSTRATION PURPOSES ONLY.



PRE-TIN PLATE OVER COPPER UNDERPLATE	-	4-1601095-2
PRE-TIN PLATE OVER COPPER UNDERPLATE	131-166-014	2-1601095-2
PRE-TIN PLATE OVER COPPER UNDERPLATE	131-165-014	1601095-2
FINISH	REFERENCE PART NUMBER	PART NUMBER
THIS DRAWING IS A CONTROLLED DOCUMENT.		
DIMENSIONS: mm [INCHES]	TOLERANCES UNLESS OTHERWISE SPECIFIED:	DWN J.WELLER 11JAN2002 CHK M.FEHER 11JAN2002 APVD K.RANDOLPH 11JAN2002 PRODUCT SPEC 108-2085 APPLICATION SPEC 3
MATERIAL: BRASS, SPRING HARD		Tyco Electronics Corporation Harrisburg, PA 17105-3608 STANDARD RANGE WIRE TO 1.02 X 0.51 P.C.B. SIAMEZE TERMINAL SIZE A2 CAGE CODE 00779 DRAWING NO C=1601095 RESTRICTED TO - CUSTOMER DRAWING SCALE 11:1 SHEET 1 OF 1 REV C2