



Chipsmall Limited consists of a professional team with an average of over 10 year of expertise in the distribution of electronic components. Based in Hongkong, we have already established firm and mutual-benefit business relationships with customers from,Europe,America and south Asia,supplying obsolete and hard-to-find components to meet their specific needs.

With the principle of “Quality Parts,Customers Priority,Honest Operation,and Considerate Service”,our business mainly focus on the distribution of electronic components. Line cards we deal with include Microchip,ALPS,ROHM,Xilinx,Pulse,ON,Everlight and Freescale. Main products comprise IC,Modules,Potentiometer,IC Socket,Relay,Connector.Our parts cover such applications as commercial,industrial, and automotives areas.

We are looking forward to setting up business relationship with you and hope to provide you with the best service and solution. Let us make a better world for our industry!



Contact us

Tel: +86-755-8981 8866 Fax: +86-755-8427 6832

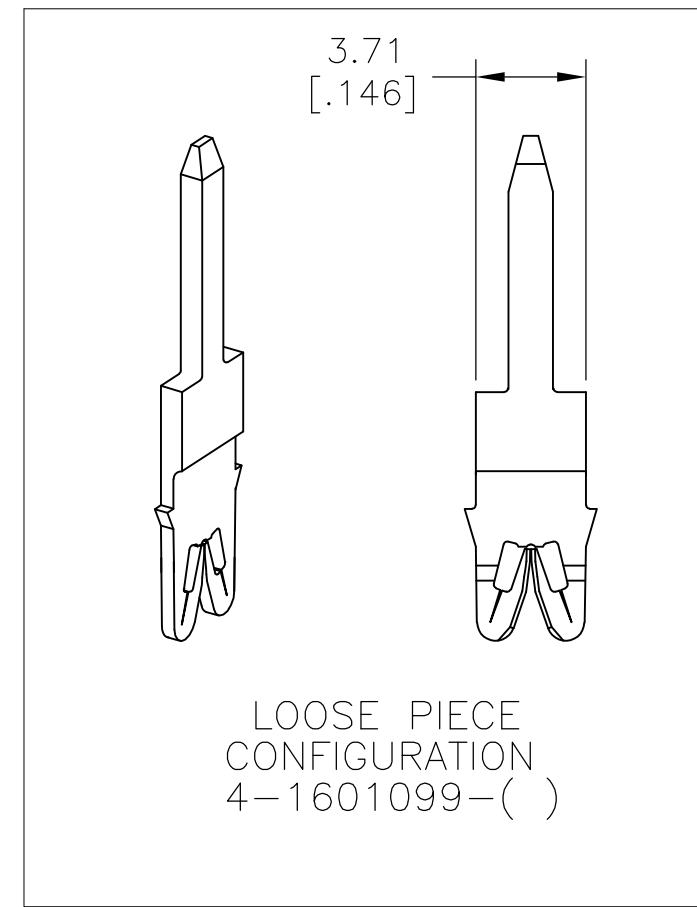
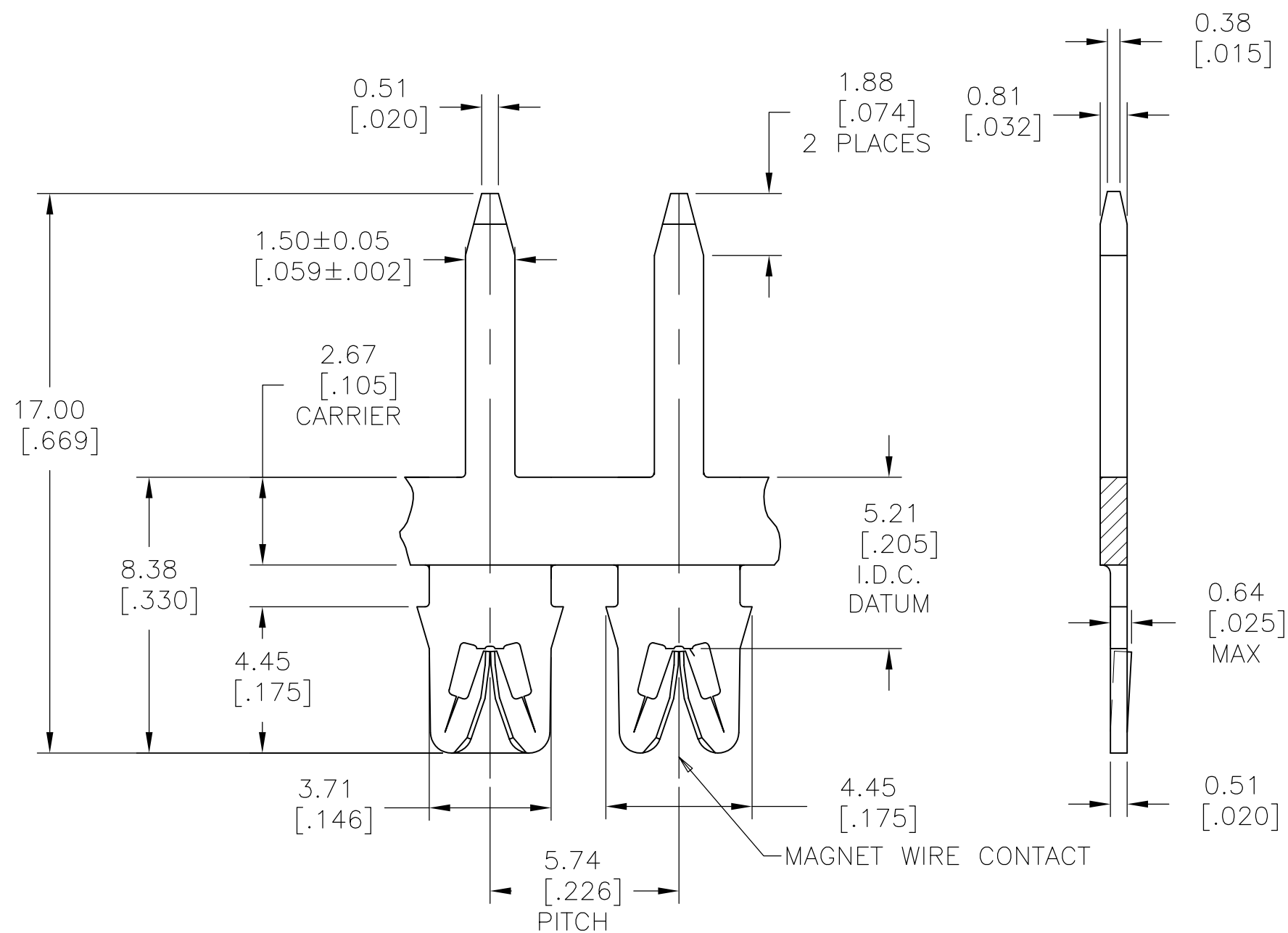
Email & Skype: info@chipsmall.com Web: www.chipsmall.com

Address: A1208, Overseas Decoration Building, #122 Zhenhua RD., Futian, Shenzhen, China

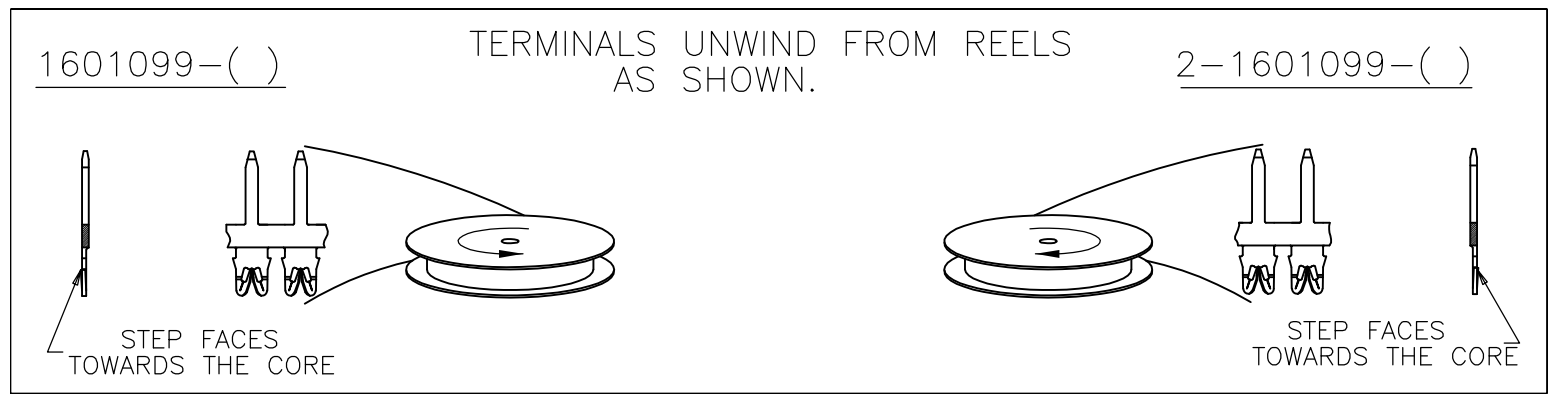


THIS DRAWING IS UNPUBLISHED. RELEASED FOR PUBLICATION
 © COPYRIGHT BY TYCO ELECTRONICS CORPORATION. ALL INTERNATIONAL RIGHTS RESERVED.

LOC	DIST	REVISIONS			
P	LTR	DESCRIPTION	DATE	DWN	APVD
AF	50	C1	REVISED PER ECO-10-013696	19AUG10	HMR CJ



- 1 SPECIFICATIONS:
MAGNET WIRE: #34 - #18 AWG
0.16mm(.006) - 1.02mm(.040)DIA. COPPER
- 2 POCKET RECOMMENDATION: # 1601431
- 3 TERMINAL APPLICATION TO COMPLY WITH
TYCO ELECTRONICS SPECIFICATION 114-13166
FIGURE 10.
- 4 POST PLATED 0.00305-0.00508[.000120-.000200]
TIN OVER 0.00127 [.000050]. MIN NICKEL.
- 5 PRE- PLATED 0.00305-0.00508[.000120-.000200]
TIN OVER 0.00127 [.000050] MIN NICKEL.
- 6 PRELIMINARY - NOT FOR PRODUCTION
- 7 TWO(2) TERMINALS SHOWN FOR ILLUSTRATION
PURPOSES ONLY.



UNPLATED	131-170-000	2-1601099-1
5	-	6 1601099-3
4	-	1601099-2
UNPLATED	131-169-000	1601099-1
FINISH	REFERENCE PART NUMBER	PART NUMBER

THIS DRAWING IS A CONTROLLED DOCUMENT.		DWN MS FEHER 11JAN2002	Tyco Electronics Corporation Harrisburg, PA 17105-3608	
DIMENSIONS: mm [INCHES]		CHK M.FEHER 11JAN2002	NAME	
TOLERANCES UNLESS OTHERWISE SPECIFIED:		APVD K.RANDOLPH 11JAN2002	STANDARD RANGE WIRE TO 1.50 X 0.81 TAB SIAMEZE TERMINAL	
0 PLC ± -	1 PLC ± -	PRODUCT SPEC 108-2085	SIZE A2	CAGE CODE 00779
2 PLC ± 0.13[.005]	3 PLC ± -	APPLICATION SPEC 3	DRAWING NO C=1601099	RESTRICTED TO -
4 PLC ± -	ANGLES ± 2°	WEIGHT -	SCALE 6:1	SHEET 1 of 1
MATERIAL BRASS, 3/4 HARD	FINISH SEE TABLE	CUSTOMER DRAWING	REV C1	

1601099

A