



Chipsmall Limited consists of a professional team with an average of over 10 year of expertise in the distribution of electronic components. Based in Hongkong, we have already established firm and mutual-benefit business relationships with customers from,Europe,America and south Asia,supplying obsolete and hard-to-find components to meet their specific needs.

With the principle of “Quality Parts,Customers Priority,Honest Operation,and Considerate Service”,our business mainly focus on the distribution of electronic components. Line cards we deal with include Microchip,ALPS,ROHM,Xilinx,Pulse,ON,Everlight and Freescale. Main products comprise IC,Modules,Potentiometer,IC Socket,Relay,Connector.Our parts cover such applications as commercial,industrial, and automotives areas.

We are looking forward to setting up business relationship with you and hope to provide you with the best service and solution. Let us make a better world for our industry!



Contact us

Tel: +86-755-8981 8866 Fax: +86-755-8427 6832

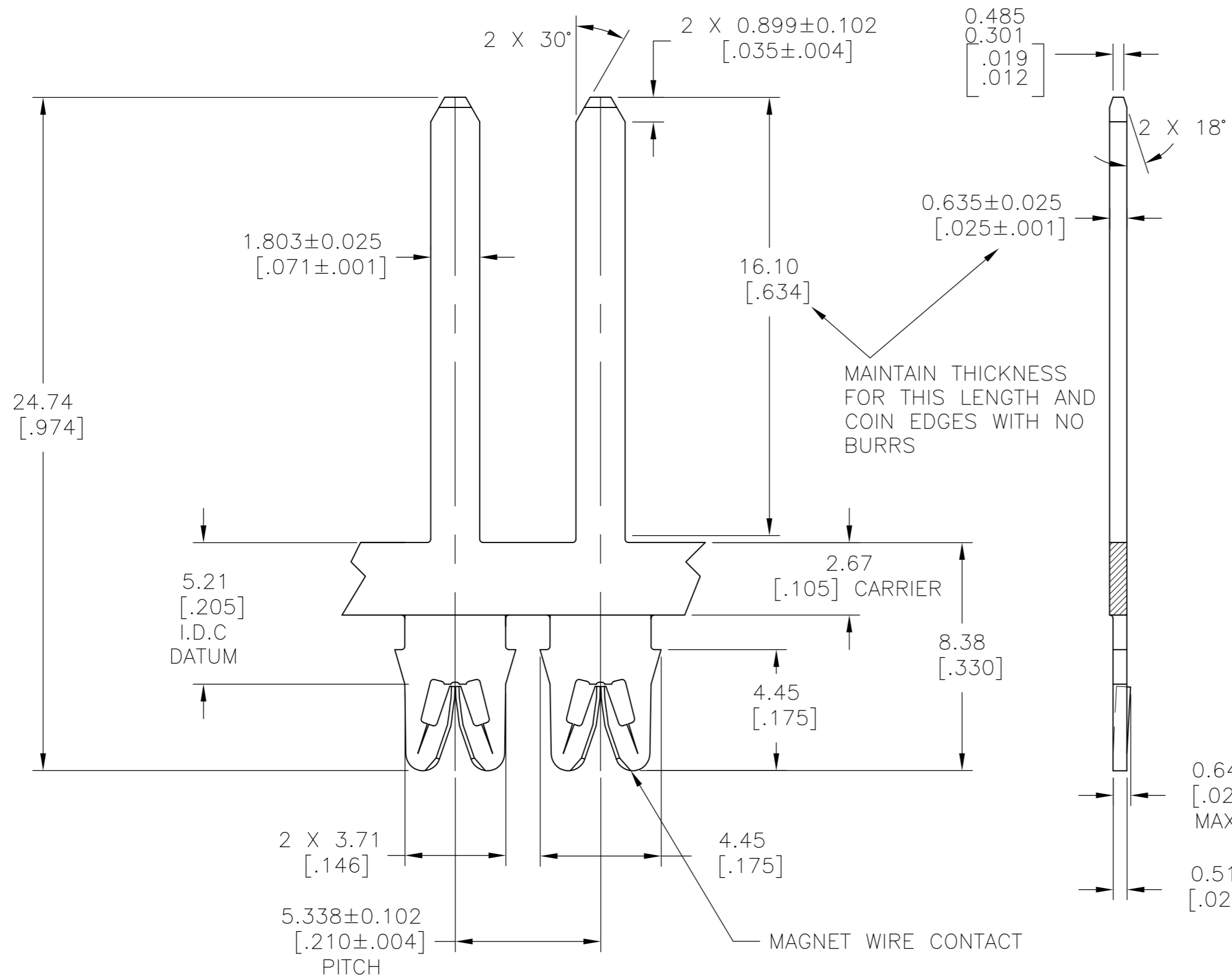
Email & Skype: info@chipsmall.com Web: www.chipsmall.com

Address: A1208, Overseas Decoration Building, #122 Zhenhua RD., Futian, Shenzhen, China

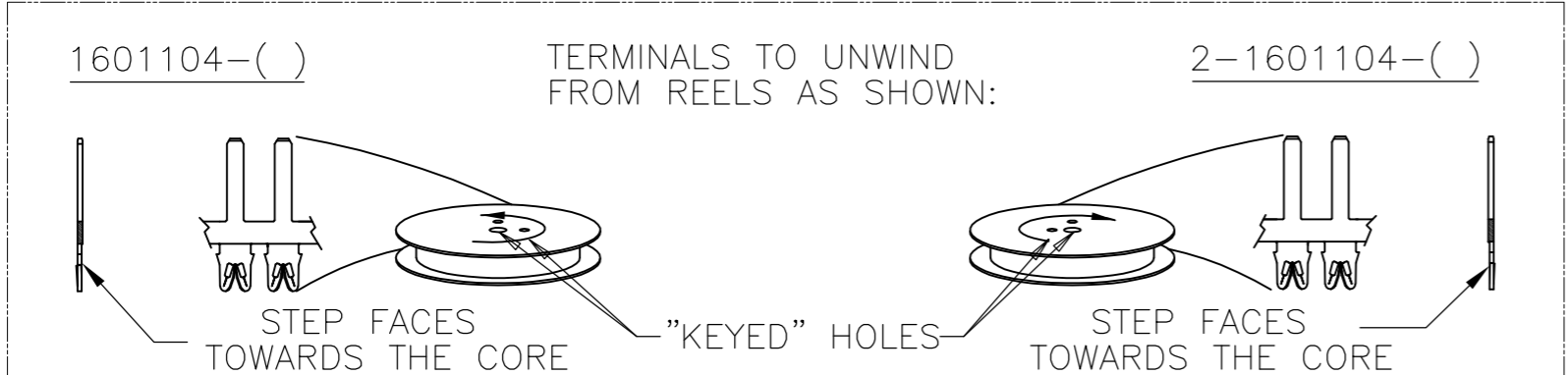
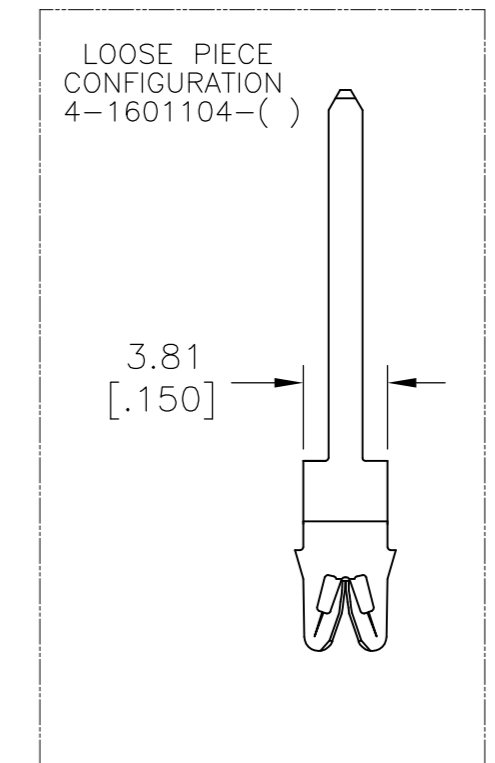


THIS DRAWING IS UNPUBLISHED. RELEASED FOR PUBLICATION
 © COPYRIGHT BY TYCO ELECTRONICS CORPORATION. ALL INTERNATIONAL RIGHTS RESERVED.

LOC	DIST	REVISIONS			
P	LTR	DESCRIPTION	DATE	DWN	APVD
AF	50	C3	REVISED PER ECR-10-004798	10MAR10	HMR CJ



- SPECIFICATIONS:
MAGNET WIRE #18- #34 AWG 1.02 [.040]
- 0.16 [.006] DIA COPPER.
- POCKET RECOMMENDATION: # 1601431
- TERMINAL APPLICATION TO COMPLY WITH TYCO ELECTRONICS SPECIFICATION 114-13166 FIGURE 10
- SPLICES PER REEL TO BE 1 MAX.
- PRELIMINARY - NOT FOR PRODUCTION
- OBsolete PARTS: OBSOLETE CIS STREAMLINING PER D.RENAUD/D.SINISI
- TWO TERMINALS SHOWN FOR ILLUSTRATION PURPOSES ONLY



-	-	-	-
4	PRE TIN PLATE	-	5 2-1601104-3
4	PRE TIN PLATE	-	5 1601104-3
6	PRE TIN PLATE	031-175-021	4 1601104-2
-	PRE TIN PLATE	131-176-021	2-1601104-2
-	PRE TIN PLATE	131-175-021	1601104-2
REELING	FINISH	REFERENCE PART NUMBER	TE PART NUMBER

THIS DRAWING IS A CONTROLLED DOCUMENT.

DIMENSIONS: mm [INCHES] TOLERANCES UNLESS OTHERWISE SPECIFIED:

0 PLC	± -
1 PLC	± 0.25[.01]
2 PLC	± 0.13[.005]
3 PLC	± -
4 PLC	± -
ANGLES	± 2°

MATERIAL: BRASS, 3/4 HARD FINISH: SEE TABLE

APPROVALS:
 DWN: J.WELLER 11JAN2002
 CHK: M.FEHER 11JAN2002
 APVD: K.RANDOLPH 11JAN2002

PRODUCT SPEC: 108-2085 APPLICATION SPEC: 3

NAME: Tyco Electronics Corporation, Harrisburg, PA 17105-3608

STANDARD RANGE WIRE TO 1.8 X 0.64 TAB SIAMEZE TERMINAL

SIZE: A2 CAGE CODE: 00779 C=1601104 DRAWING NO: 1601104 RESTRICTED TO: -

WEIGHT: - SCALE: 6:1 SHEET: 1 OF 1 REV: C3

CUSTOMER DRAWING