



Chipsmall Limited consists of a professional team with an average of over 10 year of expertise in the distribution of electronic components. Based in Hongkong, we have already established firm and mutual-benefit business relationships with customers from,Europe,America and south Asia,supplying obsolete and hard-to-find components to meet their specific needs.

With the principle of “Quality Parts,Customers Priority,Honest Operation,and Considerate Service”,our business mainly focus on the distribution of electronic components. Line cards we deal with include Microchip,ALPS,ROHM,Xilinx,Pulse,ON,Everlight and Freescale. Main products comprise IC,Modules,Potentiometer,IC Socket,Relay,Connector.Our parts cover such applications as commercial,industrial, and automotives areas.

We are looking forward to setting up business relationship with you and hope to provide you with the best service and solution. Let us make a better world for our industry!



Contact us

Tel: +86-755-8981 8866 Fax: +86-755-8427 6832

Email & Skype: info@chipsmall.com Web: www.chipsmall.com

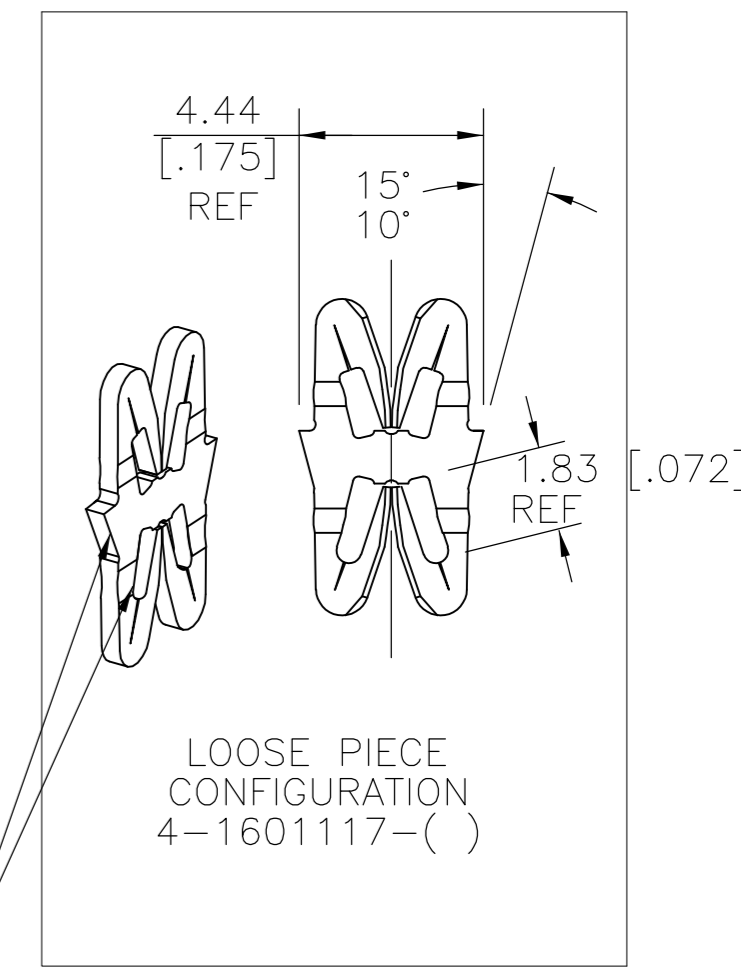
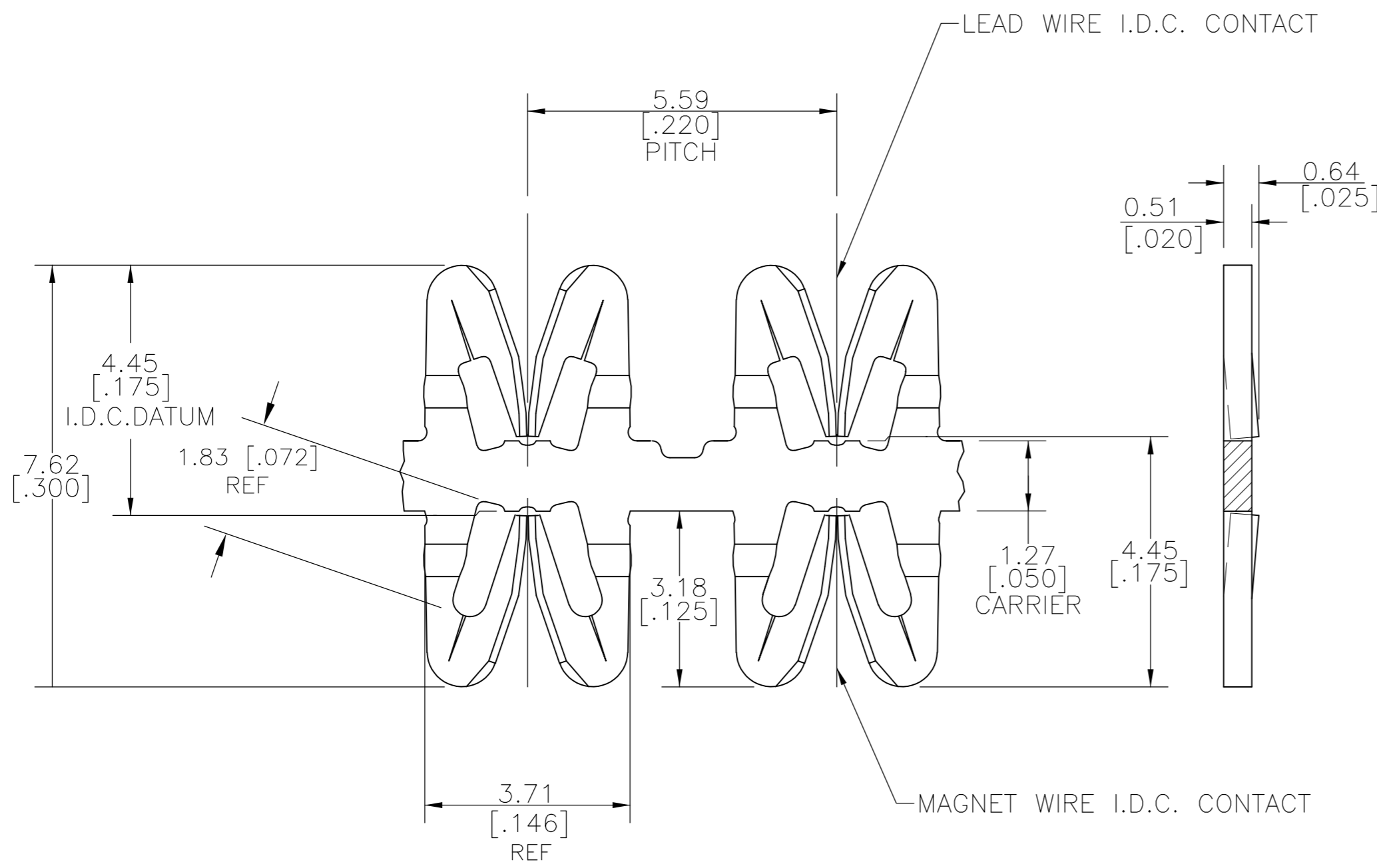
Address: A1208, Overseas Decoration Building, #122 Zhenhua RD., Futian, Shenzhen, China



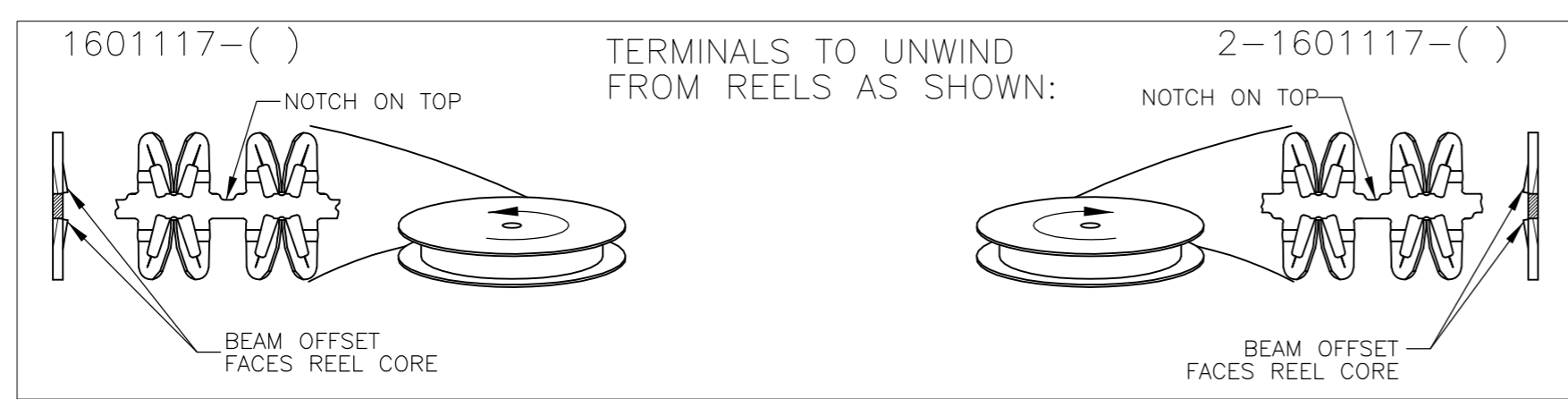
THIS DRAWING IS UNPUBLISHED. RELEASED FOR PUBLICATION
 © COPYRIGHT BY TYCO ELECTRONICS CORPORATION. ALL INTERNATIONAL RIGHTS RESERVED.

LOC	DIST	REVISIONS			
P	LTR	DESCRIPTION	DATE	DWN	APVD
AF	50				
		C4 REVISED PER ECR-08-022956	15SEP08	HMR	GJ

- SPECIFICATIONS
 MAGNET WIRE: #27-#36 AWG,
 0.36-0.13 [.014-.005] mm DIA. COPPER
 LEAD WIRE: 0.8-0.3mm2 [#18-#22] AWG, STRANDED, BONDED, OR
 SOLID WITH PVC INSULATION. MAX INSULATION OUTSIDE DIA
 2.9mm [.115] NO STRIPPING REQUIRED. OTHER INSULATION
 TYPES MAY BE ACCOMMODATED, CONSULT
 TYCO ELECTRONICS FOR APPROVAL.
- POCKET RECOMMENDATION: 1601421.
 ALTERNATE POCKET : #1601462.
- TERMINAL APPLICATION TO COMPLY WITH TYCO ELECTRONICS
 SPECIFICATION 114-13166 FIGURE 3 OR 4.



NOTE: BARB
 DIRECTION RELATIVE
 TO WINDOW LENGTH



UNPLATED	-	4-1601117-1
UNPLATED	150-010-000	2-1601117-1
UNPLATED	150-003-000	1601117-1
FINISH	REFERENCE PART NUMBER	PART NUMBER
THIS DRAWING IS A CONTROLLED DOCUMENT.		DWN J.WELLER 11JAN2002
DIMENSIONS: INCHES		CHK M.FEHER 17DEC03
TOLERANCES UNLESS OTHERWISE SPECIFIED:		APVD K.RANDOLPH 11JAN2002
0 PLC ± -		NAME
1 PLC ± 0.25 [.01]		Tyco Electronics Corporation Harrisburg, PA 17105-3608
2 PLC ± 0.13 [.005]		
3 PLC ± -		PRODUCT SPEC
4 PLC ± -		108-2244
ANGLES ± 2°		APPLICATION SPEC
MATERIAL BRASS, HOB	FINISH SEE TABLE	SIZE A2
		CAGE CODE 00779
		DRAWING NO C=1601117
		RESTRICTED TO -
CUSTOMER DRAWING		SCALE 11:1 SHEET 1 OF 1 REV C4