



Chipsmall Limited consists of a professional team with an average of over 10 year of expertise in the distribution of electronic components. Based in Hongkong, we have already established firm and mutual-benefit business relationships with customers from,Europe,America and south Asia,supplying obsolete and hard-to-find components to meet their specific needs.

With the principle of “Quality Parts,Customers Priority,Honest Operation,and Considerate Service”,our business mainly focus on the distribution of electronic components. Line cards we deal with include Microchip,ALPS,ROHM,Xilinx,Pulse,ON,Everlight and Freescale. Main products comprise IC,Modules,Potentiometer,IC Socket,Relay,Connector.Our parts cover such applications as commercial,industrial, and automotives areas.

We are looking forward to setting up business relationship with you and hope to provide you with the best service and solution. Let us make a better world for our industry!



Contact us

Tel: +86-755-8981 8866 Fax: +86-755-8427 6832

Email & Skype: info@chipsmall.com Web: www.chipsmall.com

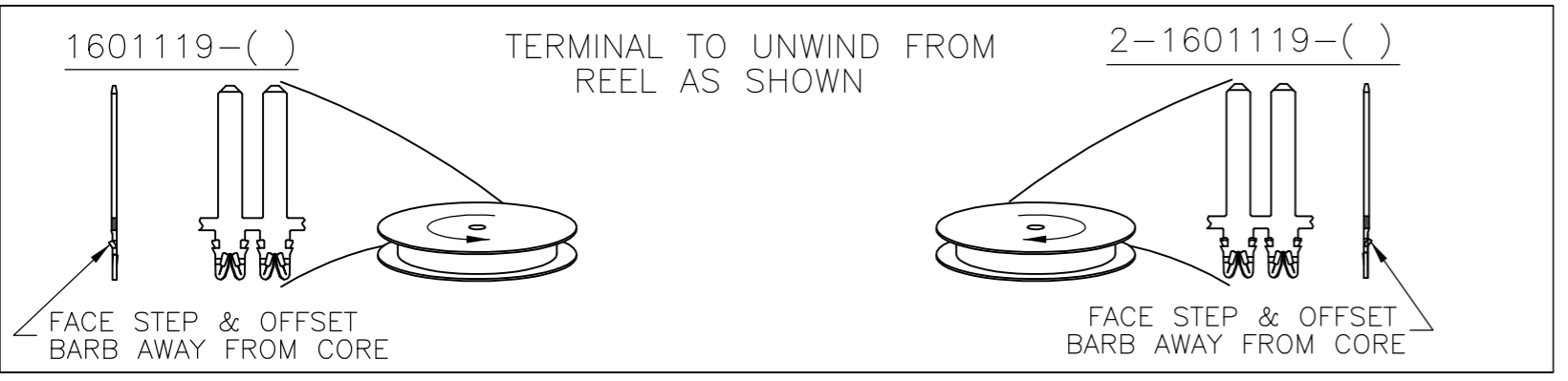
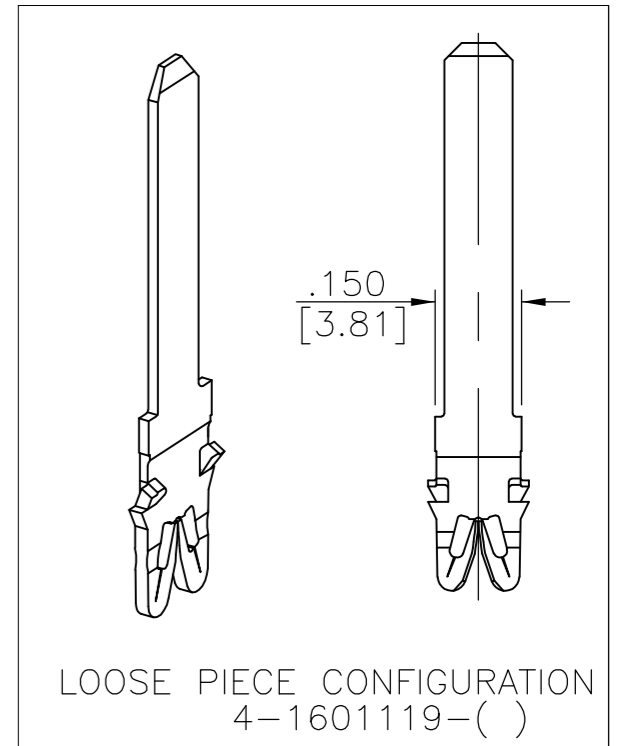
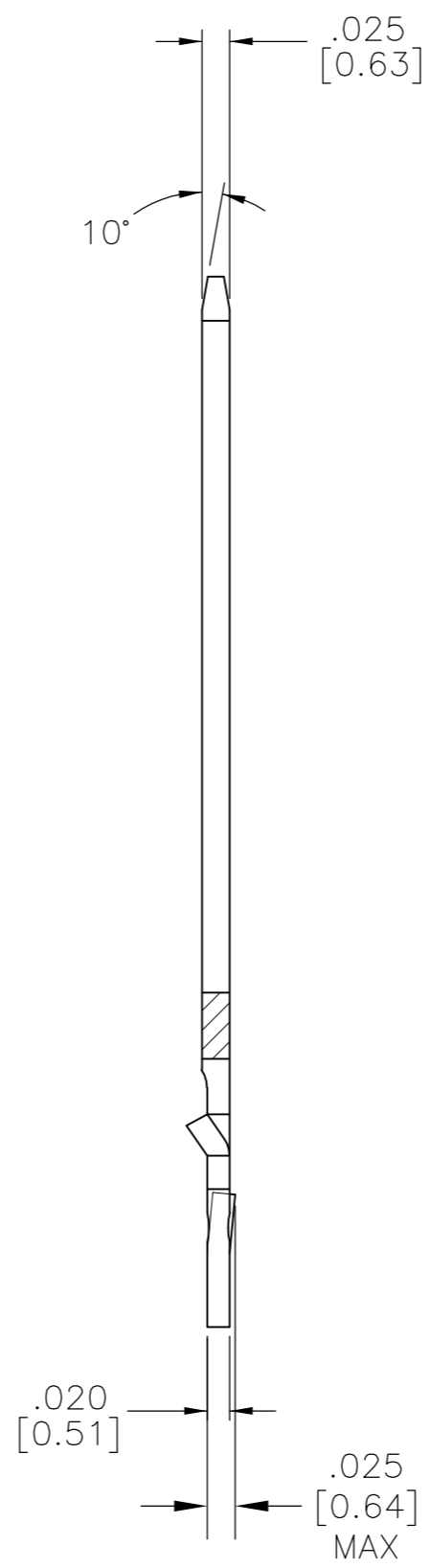
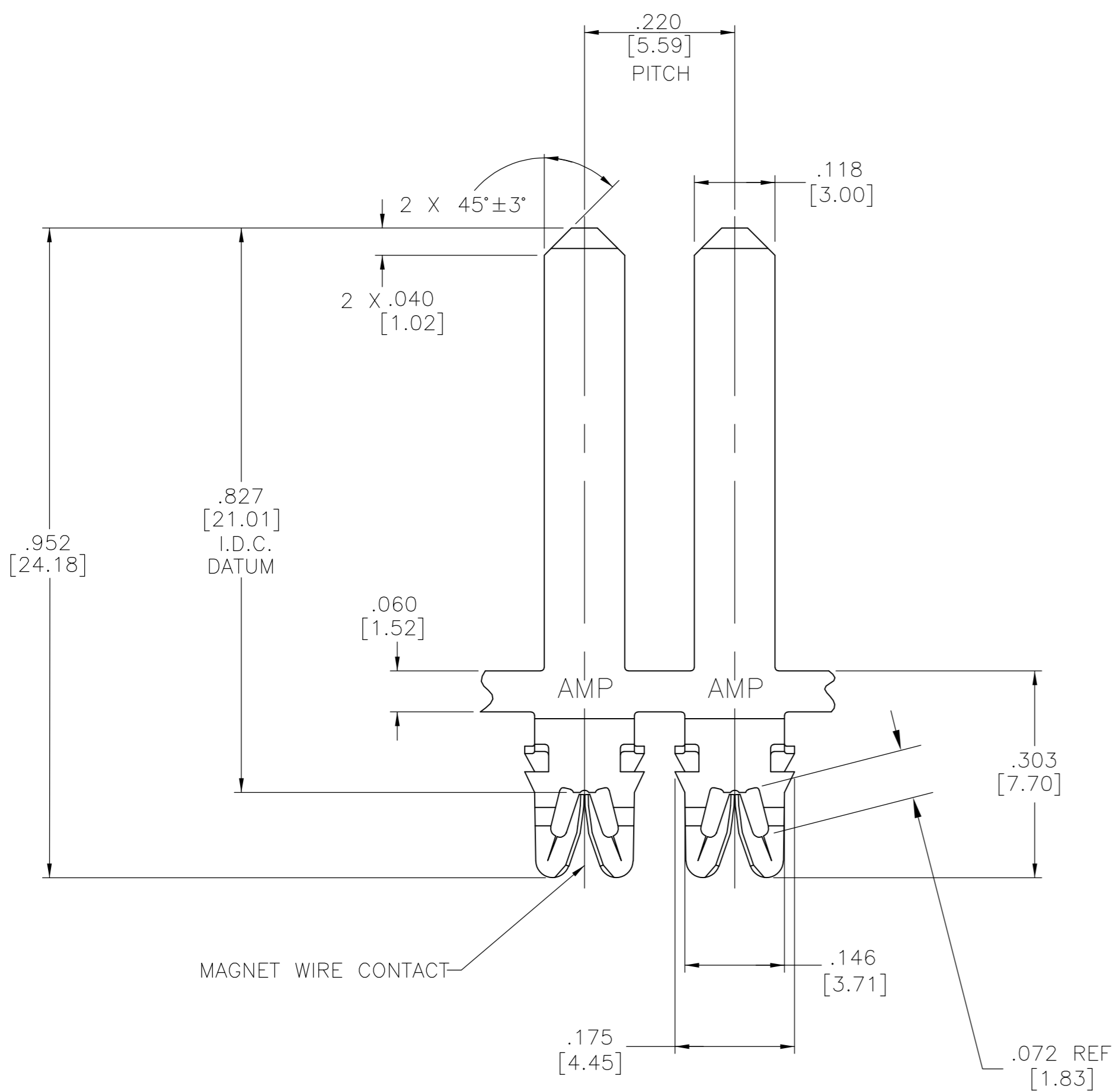
Address: A1208, Overseas Decoration Building, #122 Zhenhua RD., Futian, Shenzhen, China



THIS DRAWING IS UNPUBLISHED. RELEASED FOR PUBLICATION
 © COPYRIGHT BY TYCO ELECTRONICS CORPORATION. ALL RIGHTS RESERVED.

LOC	DIST	REVISIONS			
P	LTR	DESCRIPTION	DATE	DWN	APVD
AF	50	F	REVISED PER ECR-07-029303	19FEB08	HMR GJ

- SPECIFICATIONS: MAGNET WIRE #27 - #36 AWG .015"(0.38mm) - .005"(0.13mm) DIA COPPER.
- POCKET RECOMMENDATION: FOR POCKET DESIGN SEE #1601475
- TERMINAL APPLICATION TO COMPLY WITH TYCO ELECTRONICS SPECIFICATION 114-13166 FIGURE 12.
- TERMINALS SUPPLIED ON REELS, CAN BE SUPPLIED LOOSE PIECE,



OBSOLETE	PRE-TIN PLATE	2-1601119-3
	PRE-TIN PLATE	2-1601119-2
OBSOLETE	PRE-TIN PLATE	1601119-3
	PRE-TIN PLATE	1601119-2
	FINISH	PART NUMBER

THIS DRAWING IS A CONTROLLED DOCUMENT.		DWN MICHAEL S. FEHER 26APR2002	Tyco Electronics Corporation Harrisburg, PA 17105-3608	
DIMENSIONS: INCHES		CHK GENE JACONO 26APR2002	NAME	
TOLERANCES UNLESS OTHERWISE SPECIFIED:		APVD GENE JACONO 26APR2002	PRODUCT SPEC	
0 PLC ± -		108-2244		
1 PLC ± -		APPLICATION SPEC		
2 PLC ± .01[0.25]		3		
3 PLC ± .005[0.13]		SIZE		
4 PLC ± -		CAGE CODE		
ANGLES ± 2°		DRAWING NO		
MATERIAL BRASS, 3/4 HARD	FINISH SEE TABLE	WEIGHT -	RESTRICTED TO	
CUSTOMER DRAWING		SCALE 6:1	SHEET 1 of 1	
		REV F		