



Chipsmall Limited consists of a professional team with an average of over 10 year of expertise in the distribution of electronic components. Based in Hongkong, we have already established firm and mutual-benefit business relationships with customers from,Europe,America and south Asia,supplying obsolete and hard-to-find components to meet their specific needs.

With the principle of “Quality Parts,Customers Priority,Honest Operation,and Considerate Service”,our business mainly focus on the distribution of electronic components. Line cards we deal with include Microchip,ALPS,ROHM,Xilinx,Pulse,ON,Everlight and Freescale. Main products comprise IC,Modules,Potentiometer,IC Socket,Relay,Connector.Our parts cover such applications as commercial,industrial, and automotives areas.

We are looking forward to setting up business relationship with you and hope to provide you with the best service and solution. Let us make a better world for our industry!



Contact us

Tel: +86-755-8981 8866 Fax: +86-755-8427 6832


Email & Skype: info@chipsmall.com Web: www.chipsmall.com

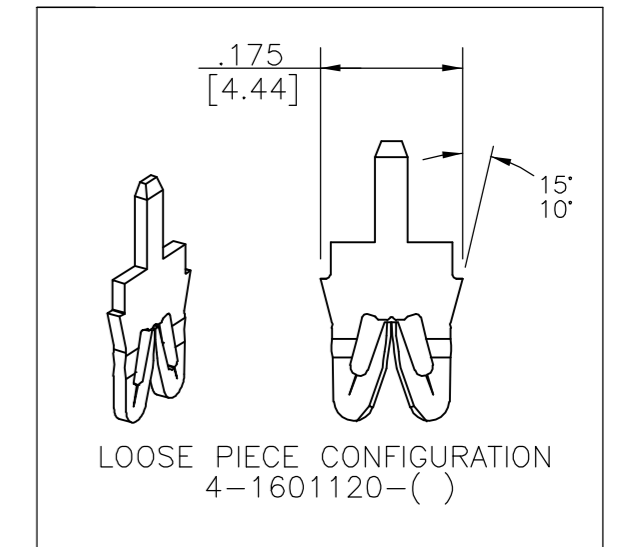
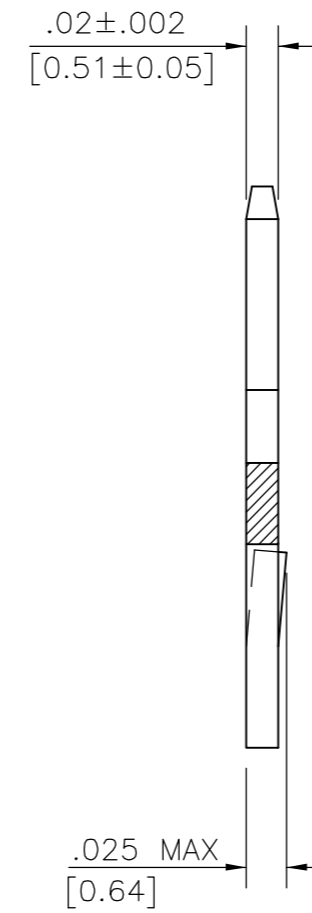
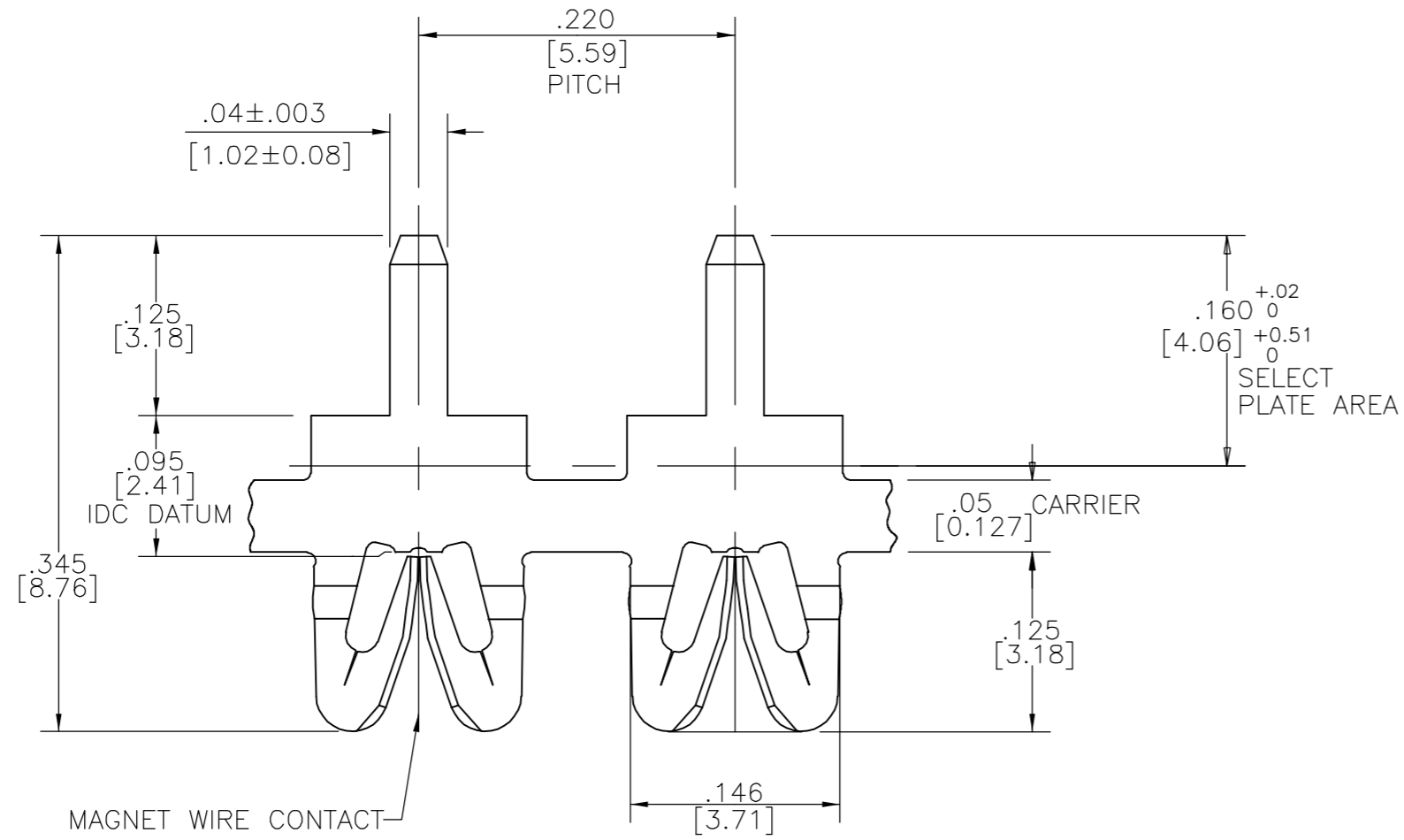
Address: A1208, Overseas Decoration Building, #122 Zhenhua RD., Futian, Shenzhen, China



THIS DRAWING IS UNPUBLISHED. RELEASED FOR PUBLICATION
 © COPYRIGHT BY TYCO ELECTRONICS CORPORATION. ALL RIGHTS RESERVED.

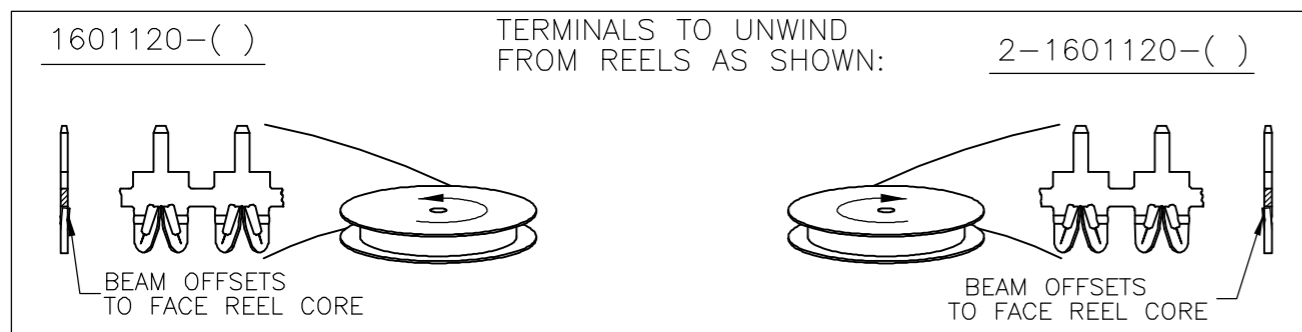
LOC	DIST	REVISIONS			
P	LTR	DESCRIPTION	DATE	DWN	APVD
AF	50	E1	REVISED PER ECR-06-015948	10AUG06	HMR GJ


- SPECIFICATIONS:
 MAGNET WIRE #27 - #36 AWG,
 0.38mm (.015") - 0.13 (.005") DIA. COPPER
 OTHER SIZES MAY BE ACCOMMODATED,
 CONSULT TYCO ELECTRONICS FOR APPROVAL.
 - POCKET RECOMMENDATION: #1601424
-  TERMINAL APPLICATION TO COMPLY WITH
 TYCO ELECTRONICS SPECIFICATION 114-13166
 FIGURE 5.



SELECTIVE TIN PLATE OVER NICKEL	---	4-1601120-4
SELECTIVE POST TIN-LEAD PLATE OVER NICKEL	050-011-119	4-1601120-2
SELECTIVE TIN PLATE OVER NICKEL	---	2-1601120-4
SELECTIVE POST TIN-LEAD PLATE OVER NICKEL	150-012-119	2-1601120-2
UNPLATED	150-012-000	2-1601120-1
SELECTIVE TIN PLATE OVER NICKEL	---	1601120-4
SELECTIVE POST TIN-LEAD PLATE OVER NICKEL	150-011-019	1601120-3
SELECTIVE POST TIN-LEAD PLATE OVER NICKEL	150-011-119	1601120-2
UNPLATED	150-011-000	1601120-1
FINISH	REFERENCE P/N	TYCO PART NUMBER

SUPERSEDED



THIS DRAWING IS A CONTROLLED DOCUMENT.		DWN J.WELLER 11JAN2002	 Tyco Electronics Corporation Harrisburg, PA 17105-3608
DIMENSIONS: INCHES (MM)		CHK M.FEHER 11JAN2002	
TOLERANCES UNLESS OTHERWISE SPECIFIED:		APVD K.RANDOLPH 11JAN2002	NAME
0 PLC ± - 1 PLC ± - 2 PLC ± .01[0.25] 3 PLC ± .005[0.13] 4 PLC ± - ANGLES ± 2°		PRODUCT SPEC 108-2244	FINE RANGE WIRE TO .040 X .020 P.C.B. SIAMEZE TERMINAL
MATERIAL BRASS, SPRING HARD		FINISH SEE TABLE	SIZE A2 CAGE CODE 00779 DRAWING NO C=1601120 RESTRICTED TO -
CUSTOMER DRAWING		WEIGHT -	SCALE 1:3 SHEET 1 OF 1 REV E1