



Chipsmall Limited consists of a professional team with an average of over 10 year of expertise in the distribution of electronic components. Based in Hongkong, we have already established firm and mutual-benefit business relationships with customers from,Europe,America and south Asia,supplying obsolete and hard-to-find components to meet their specific needs.

With the principle of “Quality Parts,Customers Priority,Honest Operation,and Considerate Service”,our business mainly focus on the distribution of electronic components. Line cards we deal with include Microchip,ALPS,ROHM,Xilinx,Pulse,ON,Everlight and Freescale. Main products comprise IC,Modules,Potentiometer,IC Socket,Relay,Connector.Our parts cover such applications as commercial,industrial, and automotives areas.

We are looking forward to setting up business relationship with you and hope to provide you with the best service and solution. Let us make a better world for our industry!



Contact us

Tel: +86-755-8981 8866 Fax: +86-755-8427 6832

Email & Skype: info@chipsmall.com Web: www.chipsmall.com

Address: A1208, Overseas Decoration Building, #122 Zhenhua RD., Futian, Shenzhen, China

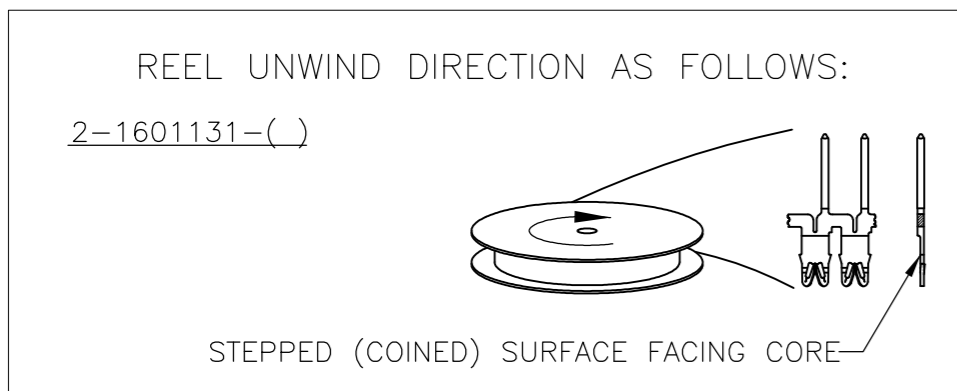
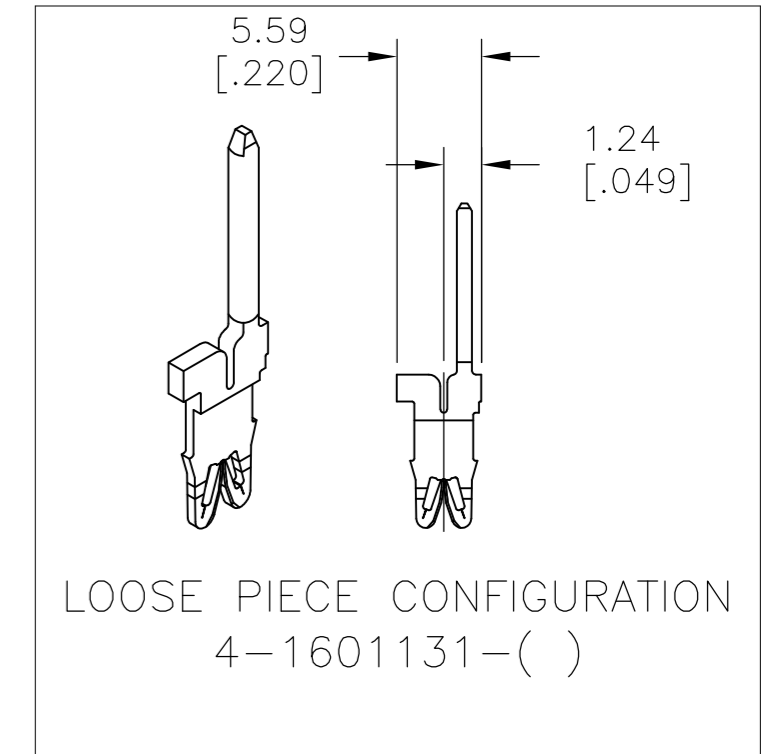
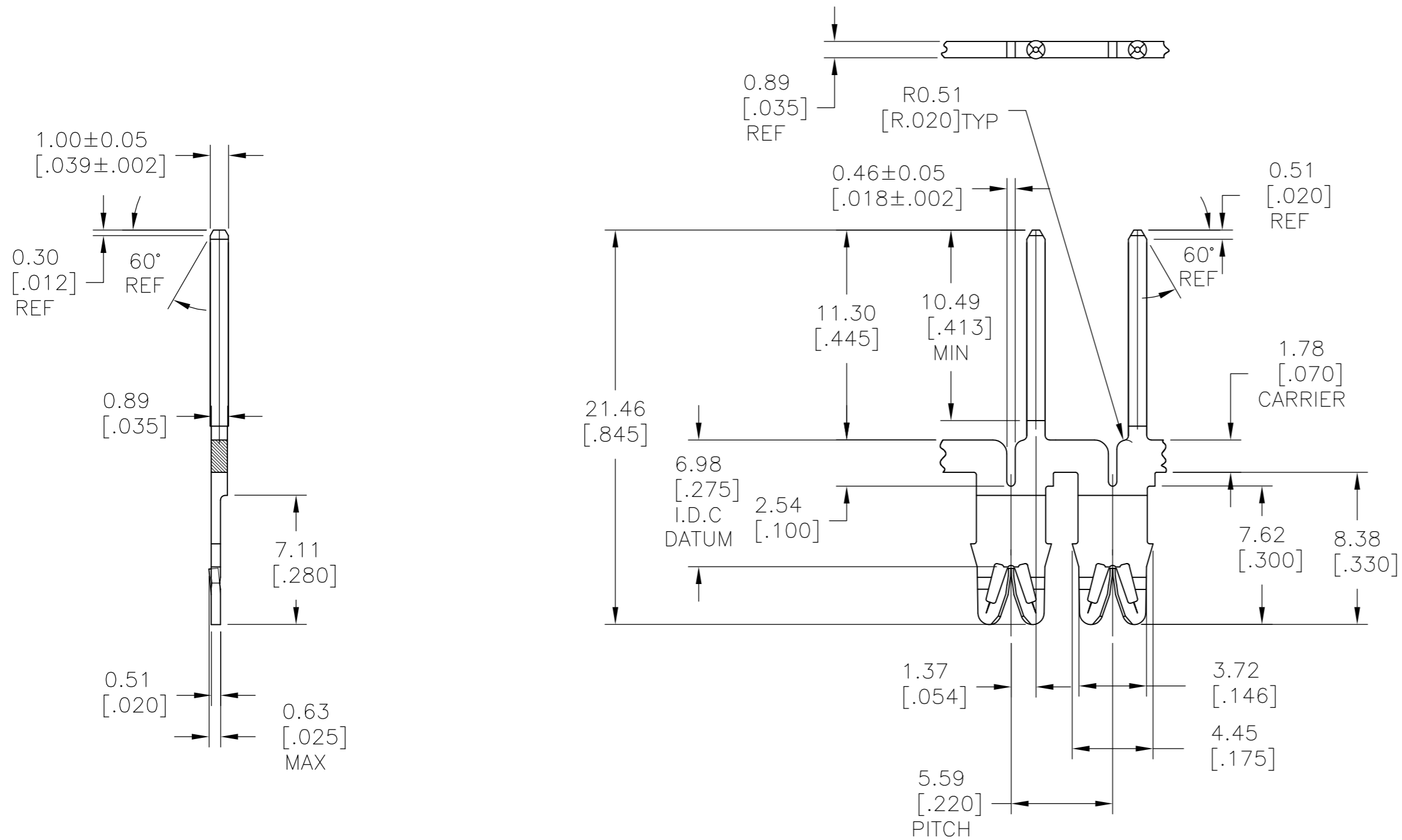


THIS DRAWING IS UNPUBLISHED. RELEASED FOR PUBLICATION
 © COPYRIGHT BY TYCO ELECTRONICS CORPORATION. ALL INTERNATIONAL RIGHTS RESERVED.

LOC		DIST		REVISIONS			
P	LTR	DESCRIPTION		DATE	DWN	APVD	
AF	50	D		REVISED PER ECR-15-012440	17SEP2015	GRZ	JL

SPECIFICATIONS:

- BOTTOM CONTACT:
MAGNET WIRE: #27 - #35 AWG,
0.14[.006] - 0.38[.015] DIA COPPER.
TOP CONTACT:
BARE SOLID COPPER WIRE: 0.56[.022] DIA
- POCKET RECOMMENDATION #1601432
- TERMINAL APPLICATION TO COMPLY WITH TYCO ELECTRONICS SPECIFICATION 114-13166. CONSULT PRODUCT ENGINEERING.
- TWO(2) TERMINALS SHOWN FOR ILLUSTRATION PURPOSES ONLY.



Pre-Tin Plate over Copper Underplate		150-028-014	2-1601131-2
FINISH		REFERENCE PART NUMBER	TE PART NUMBER
THIS DRAWING IS A CONTROLLED DOCUMENT.		Tyco Electronics Corporation Harrisburg, PA 17105-3608	
DIMENSIONS: mm [INCHES] TOLERANCES UNLESS OTHERWISE SPECIFIED: 0 PLC ± - 1 PLC ± - 2 PLC ± .005[0.13] 3 PLC ± - 4 PLC ± - ANGLES ± 2°		NAME: 1.0 MM DIA PIN TO FINE WIRE SIAMEZE TERMINAL PRODUCT SPEC: 108-2244 APPLICATION SPEC: 3	
MATERIAL: BRASS, 3/4 HARD		WEIGHT: -	RESTRICTED TO: -
FINISH: SEE TABLE		RESTRICTED CUSTOMER	SCALE: 1:6
SIZE: A2		CAGE CODE: 00779	DRAWING NO: C=1601131
SHEET: 1 OF 1		REV: D	