



Chipsmall Limited consists of a professional team with an average of over 10 year of expertise in the distribution of electronic components. Based in Hongkong, we have already established firm and mutual-benefit business relationships with customers from,Europe,America and south Asia,supplying obsolete and hard-to-find components to meet their specific needs.

With the principle of “Quality Parts,Customers Priority,Honest Operation,and Considerate Service”,our business mainly focus on the distribution of electronic components. Line cards we deal with include Microchip,ALPS,ROHM,Xilinx,Pulse,ON,Everlight and Freescale. Main products comprise IC,Modules,Potentiometer,IC Socket,Relay,Connector.Our parts cover such applications as commercial,industrial, and automotives areas.

We are looking forward to setting up business relationship with you and hope to provide you with the best service and solution. Let us make a better world for our industry!



## Contact us

Tel: +86-755-8981 8866 Fax: +86-755-8427 6832

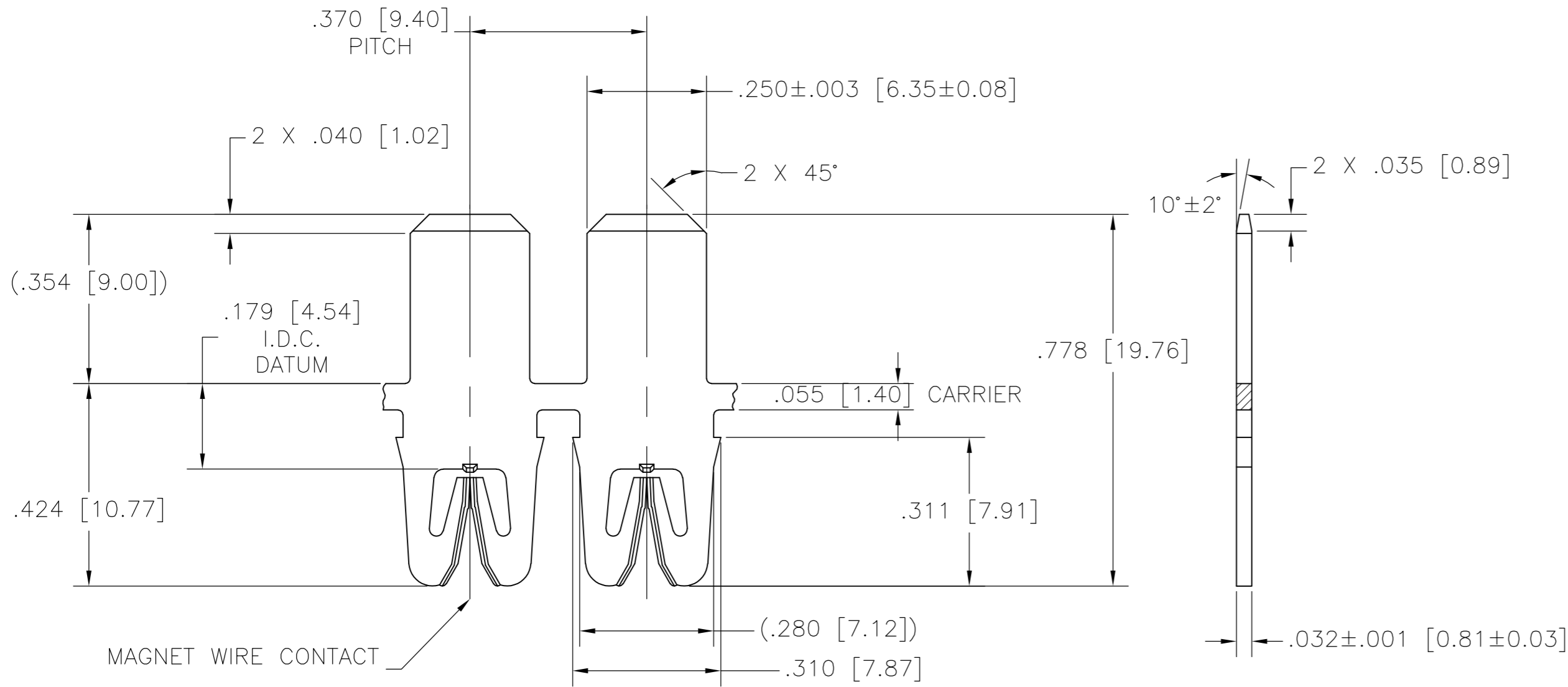
Email & Skype: info@chipsmall.com Web: www.chipsmall.com

Address: A1208, Overseas Decoration Building, #122 Zhenhua RD., Futian, Shenzhen, China

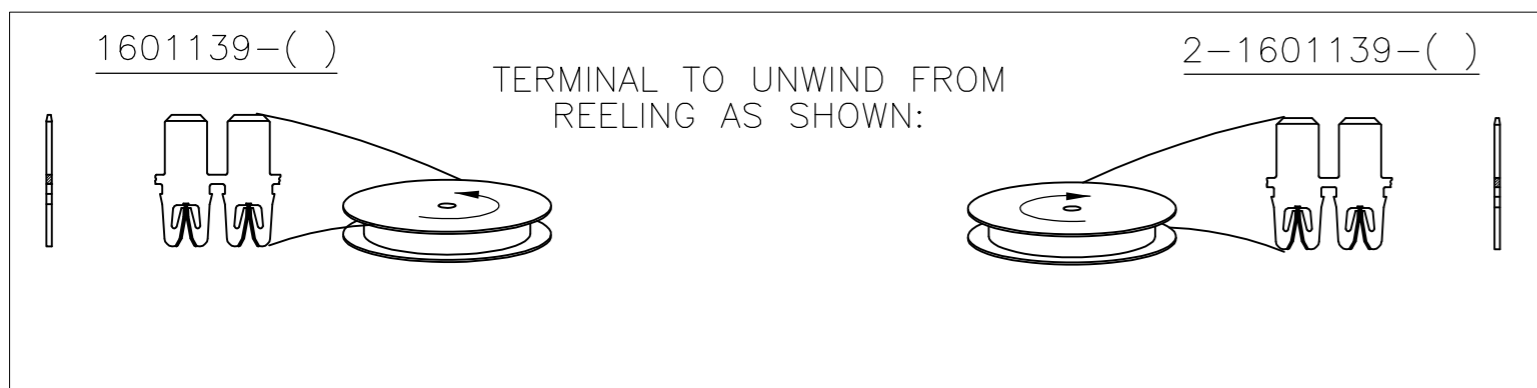
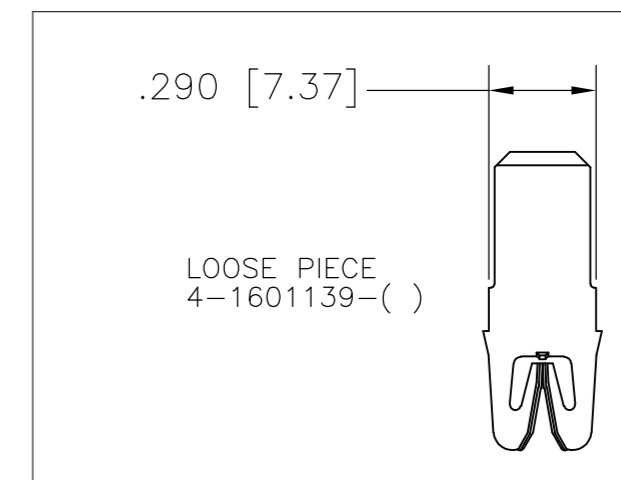


THIS DRAWING IS UNPUBLISHED. RELEASED FOR PUBLICATION  
 © COPYRIGHT BY TYCO ELECTRONICS CORPORATION. ALL RIGHTS RESERVED.

LOC	DIST	REVISIONS			
P	LTR	DESCRIPTION	DATE	DWN	APVD
AF	50	F1	REVISED PER ECR-07-029275	10DEC07	HMR GJ



- 1 SPECIFICATIONS:  
MAGNET WIRE #12 - #23 AWG,  
2.06mm (.081")-0.56mm (.022") DIA COPPER.  
OTHER SIZES MAY BE ACCOMMODATED,  
CONSULT TYCO ELECTRONICS FOR APPROVAL.
- 2 POCKET RECOMMENDATION: #1601438
- 3 TERMINAL APPLICATION TO COMPLY WITH TYCO ELECTRONICS  
SPECIFICATION 114-13210 FIGURE 4.
- 4 PRELIMINARY - NOT FOR PRODUCTION.



FINISH	MATERIAL	PART NUMBER
UNPLATED	1/2 HARD COPPER ALLOY	2-1601139-3
PRE-TIN PLATE	SPRING HARD BRASS	2-1601139-2
UNPLATED	SPRING HARD BRASS	2-1601139-1
PRE-TIN PLATE	SPRING HARD BRASS	1601139-2
UNPLATED	SPRING HARD BRASS	1601139-1

THIS DRAWING IS A CONTROLLED DOCUMENT.		DWN J.WELLER 22FEB2002	Tyco Electronics Corporation Harrisburg, PA 17105-3608	
DIMENSIONS: INCHES		CHK M.FEHER 25FEB02	NAME	
TOLERANCES UNLESS OTHERWISE SPECIFIED:		APVD G. JACONO 25FEB02	PRODUCT SPEC	
0 PLC ± -		108-2239		
1 PLC ± -		APPLICATION SPEC		
2 PLC ± .01[0.25]		SIZE 3		
3 PLC ± .005[0.13]		CAGE CODE A2 00779		
4 PLC ± -		DRAWING NO C=1601139		
ANGLES ± 2°		RESTRICTED TO		
MATERIAL SEE TABLE	FINISH SEE TABLE	WEIGHT -	SCALE 4:1	SHEET 1 OF 1
CUSTOMER DRAWING		REV F1		